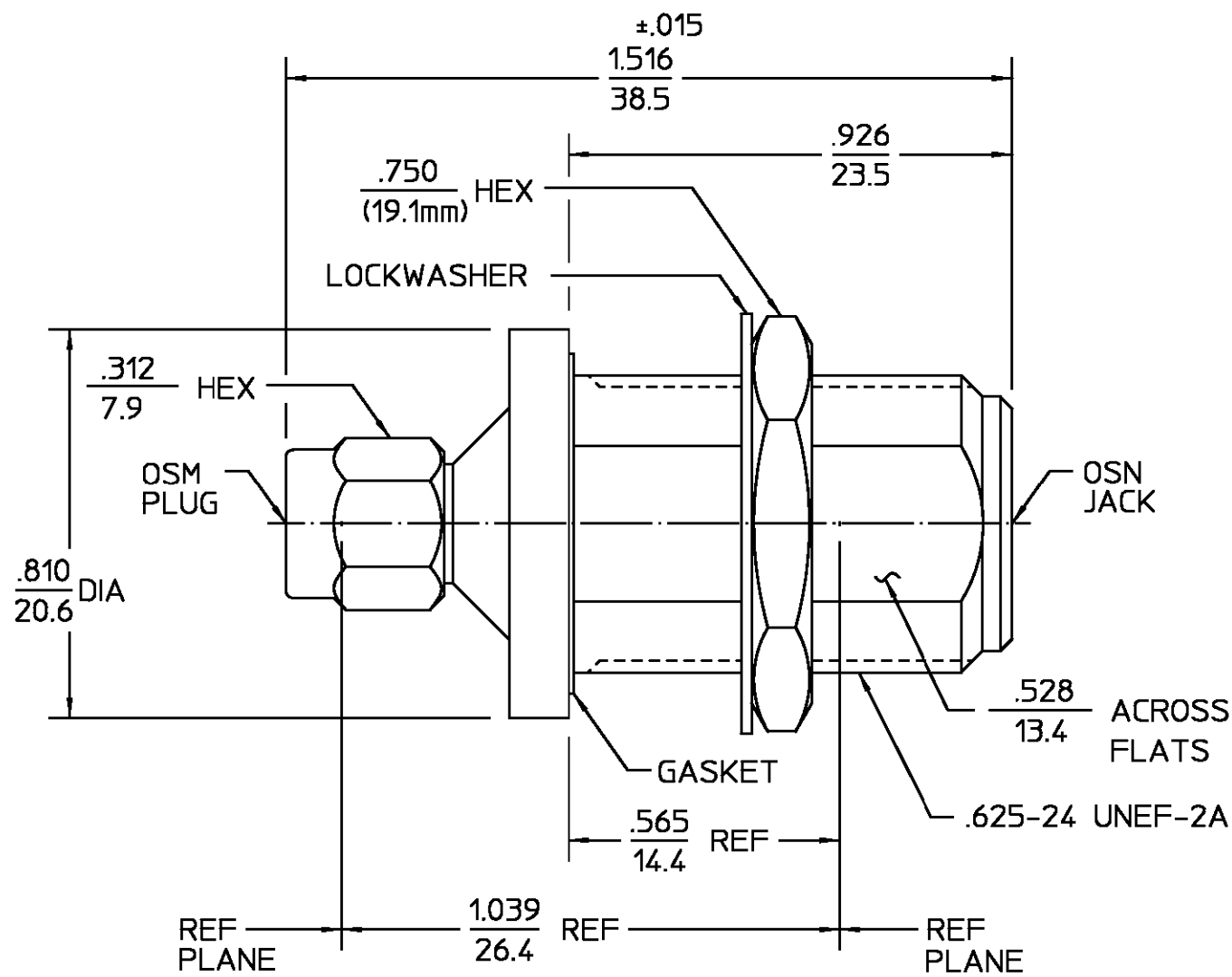


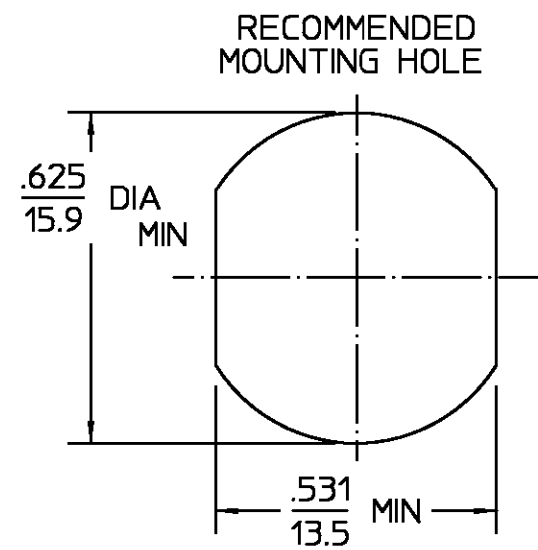
REVISIONS			
REV	DESCRIPTION	DATE	APPROVED
01 ₁	REVISED	10/18/95	<i>[Signature]</i> 4/19/96




.XXX = in
XX.X = mm

DESIGN CONTROL REQUIRED

COMPONENT	MATERIAL	FINISH
HOUSING COUPLING NUT MOUNTING NUT LOCKWASHER	STAINLESS STEEL PER ASTM-A484 AND ASTM- A582, TYPE 303	PASSIVATE PER QQ-P-35
DIELECTRIC	TFE FLUOROCARBON PER ASTM-D-1457	N/A
CENTER CONTACT	BERYLLIUM COPPER PER ASTM B 196, ALLOY C17300, CONDITION H	GOLD PLATE PER MIL-G-45204
RETAINING RING	BERYLLIUM COPPER PER ASTM B 194, ALLOY C17200, CONDITION H	N/A
GASKET	SILICONE RUBBER PER ZZ-R-765	N/A



NOTES:
1. CAPTURED CENTER CONTACT.

UNLESS OTHERWISE SPECIFIED DIMENSIONS ARE IN INCHES TOLERANCE ON FRAC. DEC. ANGLES ± 1/64 ±.005 ± °	DRAWN BY RME	DATE 3/3/95	 AMP Incorporated 140 Fourth Avenue Waltham, MA 02451-7599	
	CHECKED BY			
These drawings and specifications are the property of M/A-COM Incorporated and shall not be reproduced or copied or used in whole or in part as the basis for the manufacture or sale of item(s) without written permission.	APPD BY RME	3/3/95	TITLE OSM PLUG TO OSN JACK BULKHEAD ADAPTER 18GHZ	
	USE ASS'Y PROCEDURE		SIZE B	CODE IDENT NO. 26805
	NO. AP. N/A		1250-1562-02	REV 01 ₁
SCALE 4 : 1			SHEET 1 OF 1	

Mouser Electronics

Authorized Distributor

Click to View Pricing, Inventory, Delivery & Lifecycle Information:

[TE Connectivity:](#)

[1046266-1](#)