

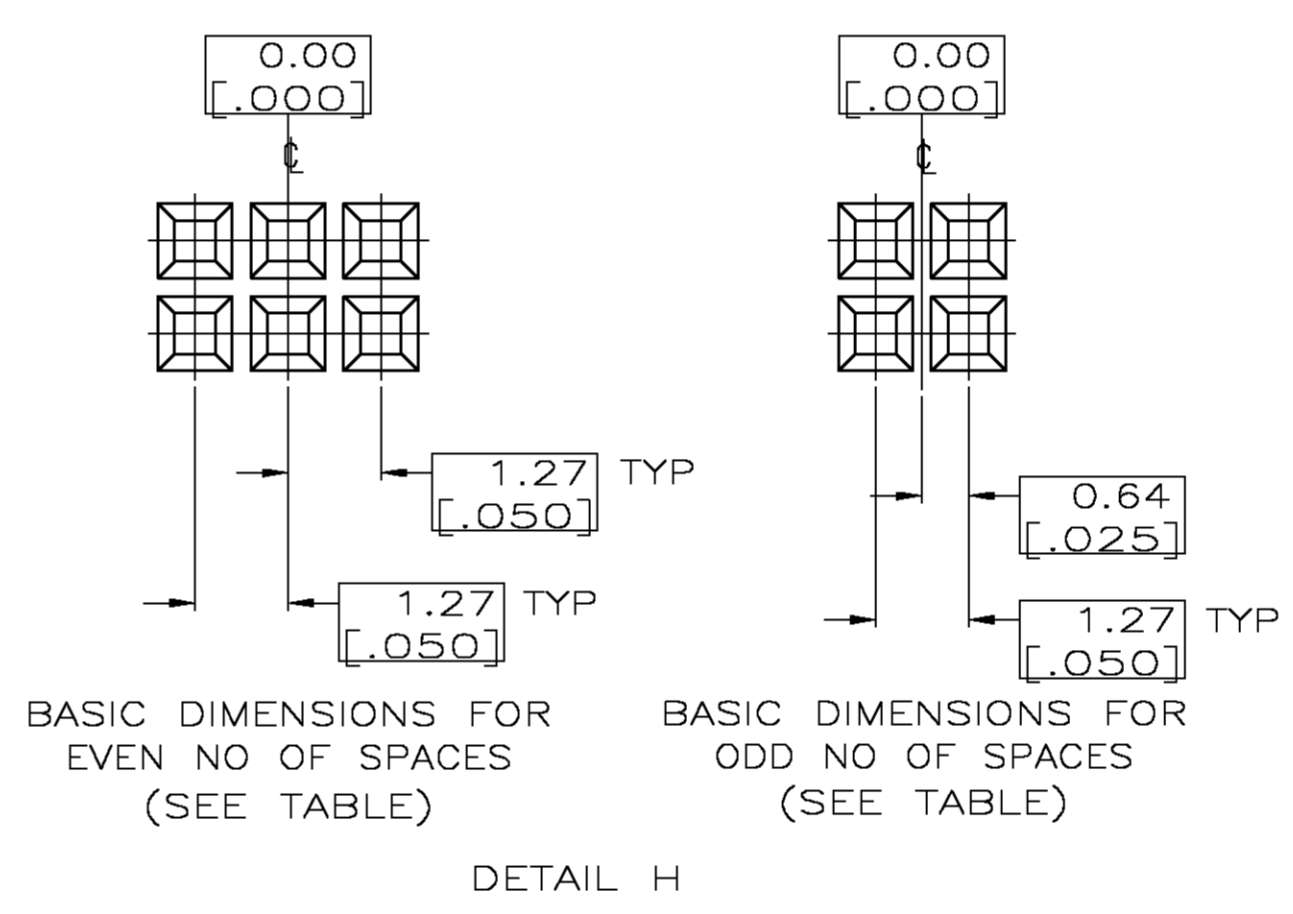
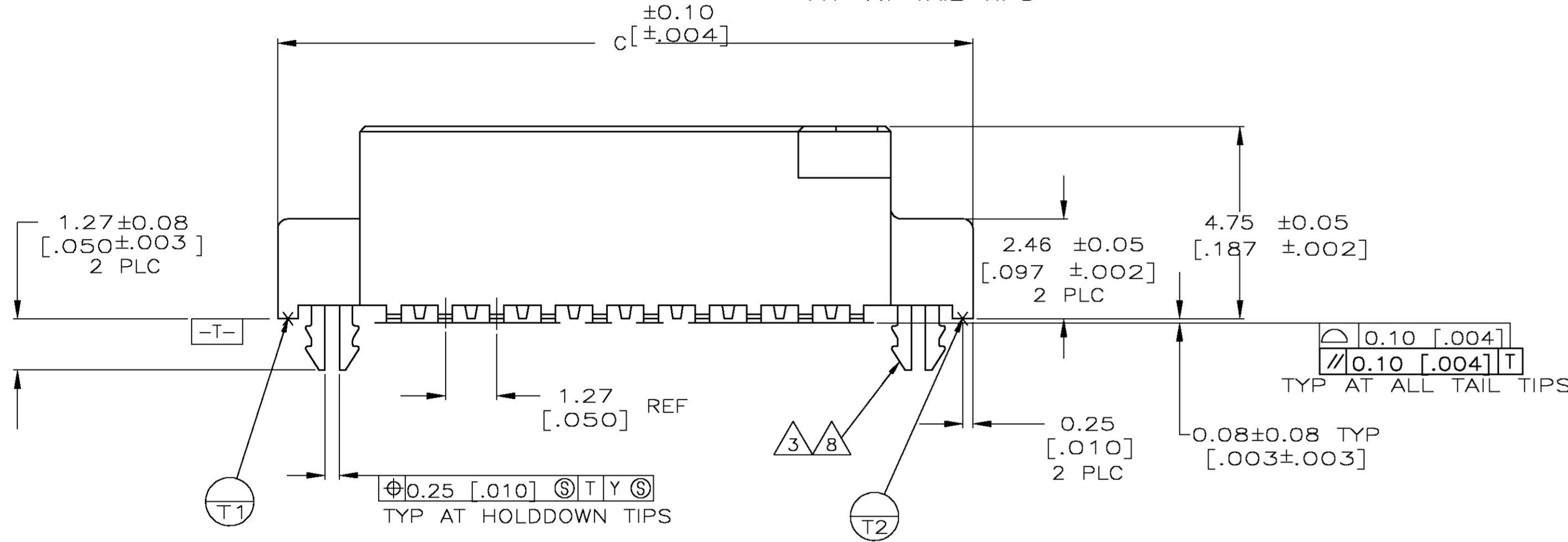
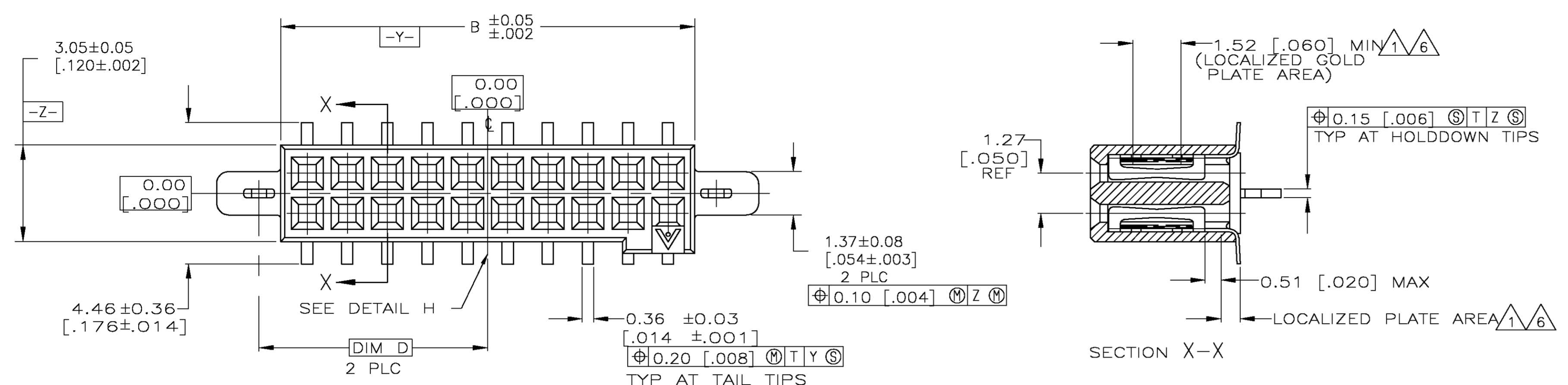
Distributed by:

**JAMECO**<sup>®</sup>  
ELECTRONICS

**www.Jameco.com ♦ 1-800-831-4242**

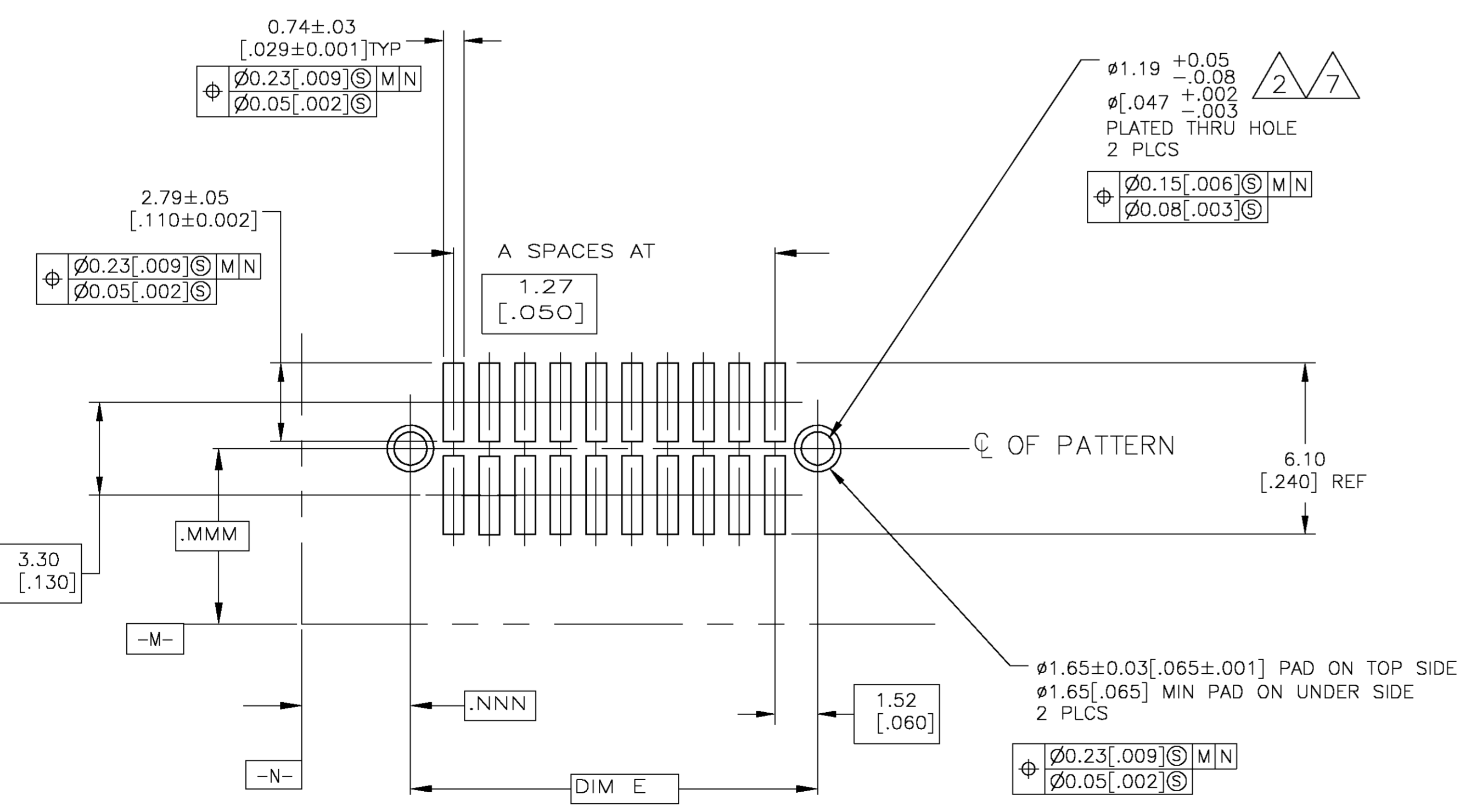
The content and copyrights of the attached  
material are the property of its owner.

Jameco Part Number 739171



- 1 0.00076 [.000030] GOLD IN LOCALIZED PLATE AREA  
0.00381 [.000150] TIN-LEAD ON SOLDER TAILS  
ALL OVER 0.00127 [.000050] NICKEL
- 2 USE 1.32±0.02 [.0520±.0010] DRILLED HOLE (#55 DRILL)  
FINISH TO BE TIN/LEAD OVER 0.02 [.001] MIN COPPER
- 3 PLATING: 0.0038 [.000150] TIN-LEAD OVER 0.00127 [.000050] NICKEL
- 4 IF PLANNING TO USE MORE THAN ONE MATING PAIR OF CONNECTORS  
TO INTERCONNECT 2 BOARDS, PLEASE REFER TO "SPACING"  
PARAGRAPH IN THE APPLICATION SPEC, #114-7010
- 5 HOUSING: LCP, COLOR:BLACK.  
CONTACT: COPPER ALLOY PER ASTM SPECIFICATION B422.  
HOLDDOWN: COPPER ALLOY PER ASTM SPECIFICATION B194.
- 6 0.00076 [.000030] GOLD IN LOCALIZED PLATE AREA  
0.00381 [.000150] TIN ON SOLDER TAILS  
ALL OVER 0.00127 [.000050] NICKEL
- 7 USE 1.32±0.02 [.0520±.0010] DRILLED HOLE (#55 DRILL)  
FINISH TO BE TIN OVER 0.02 [.001] MIN COPPER
- 8 PLATING: 0.0038 [.000150] TIN OVER 0.00127 [.000050] NICKEL
- 9 PRELIMINARY PART - NOT RELEASED FOR PRODUCTION.

6/8	11.93	5.97	14.63	10.56	7	16	6-104652-1
6/8	65.28	32.640	67.97	63.91	49	100	6-104652-0
6/8	58.93	29.46	61.62	57.56	44	90	5-104652-9
6/8	52.58	26.290	55.27	51.21	39	80	5-104652-8
6/8	46.23	23.11	48.92	44.86	34	70	5-104652-7
6/8	39.88	19.940	42.57	38.51	29	60	5-104652-6
6/8	33.53	16.76	36.22	32.16	24	50	5-104652-5
6/8	27.18	13.590	29.87	25.81	19	40	5-104652-4
6/8	20.83	10.41	23.52	19.46	14	30	5-104652-3
6/8	14.48	7.240	17.17	13.11	9	20	5-104652-2
6/8	8.12	4.06	10.82	6.75	4	10	5-104652-1
1/3	11.93	5.97	14.63	10.56	7	16	1-104652-1
1/3	65.28	32.640	67.97	63.91	49	100	1-104652-0
1/3	58.93	29.46	61.62	57.56	44	90	104652-9
1/3	52.58	26.290	55.27	51.21	39	80	104652-8
1/3	46.23	23.11	48.92	44.86	34	70	104652-7
1/3	39.88	19.940	42.57	38.51	29	60	104652-6
1/3	33.53	16.76	36.22	32.16	24	50	104652-5
1/3	27.18	13.590	29.87	25.81	19	40	104652-4
1/3	20.83	10.41	23.52	19.46	14	30	104652-3
1/3	14.48	7.240	17.17	13.11	9	20	104652-2
1/3	8.12	4.06	10.82	6.75	4	10	104652-1
FINISH	E	D	C	B	A	NO OF POS	PART NUMBER



RECOMMENDED BOARD LAYOUT  
SCALE: 7:1

THIS DRAWING IS A CONTROLLED DOCUMENT.		DATE: 08/07/91	Tyco Electronics Corporation Harrisburg, Pa 17105-3608
DIMENSIONS: mm [INCHES]		DRN: KATE HELM	
TOLERANCES UNLESS OTHERWISE SPECIFIED:		CHK: D. GORENC	ASSEMBLY, RECEPTACLE, VERTICAL, DOUBLE ROW, SURFACE MOUNT, AMPMODU 50/50 GRID CONNECTOR
0 PLC ± -		APVD: -	
1 PLC ± -		PRODUCT SPEC: 108-1332	RESTRICTED TO
2 PLC ± -		APPLICATION SPEC: 114-7010	
3 PLC ± -		SIZE: A1	CAGE CODE: 100779
4 PLC ± -		DRAWING NO: 104652	
ANGLES ± -		WEIGHT: -	SCALE: 10:1
FINISH: SEE TABLE		SHEET: 1 OF 1	
MATERIAL: 5		CUSTOMER DRAWING	REV: L