

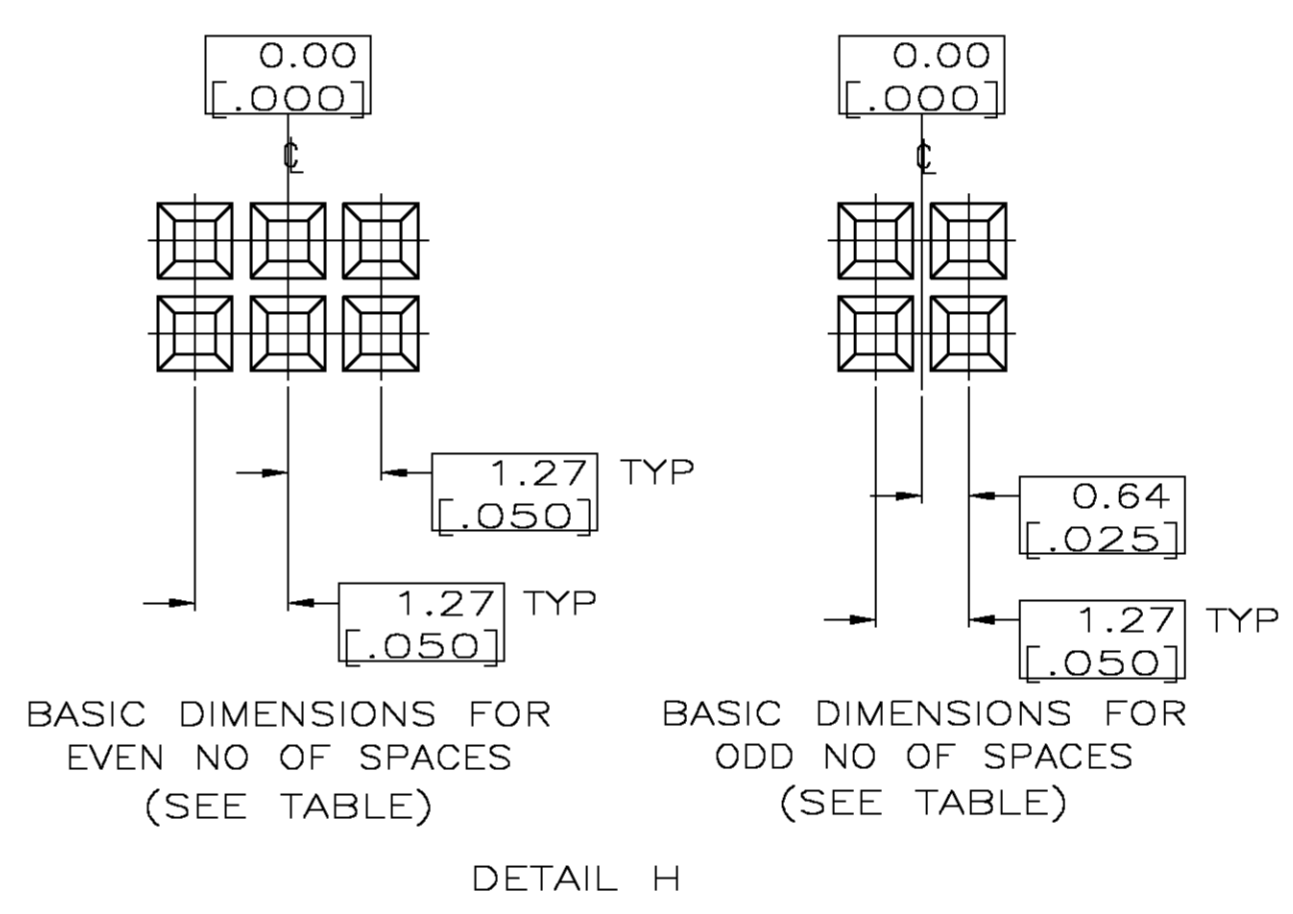
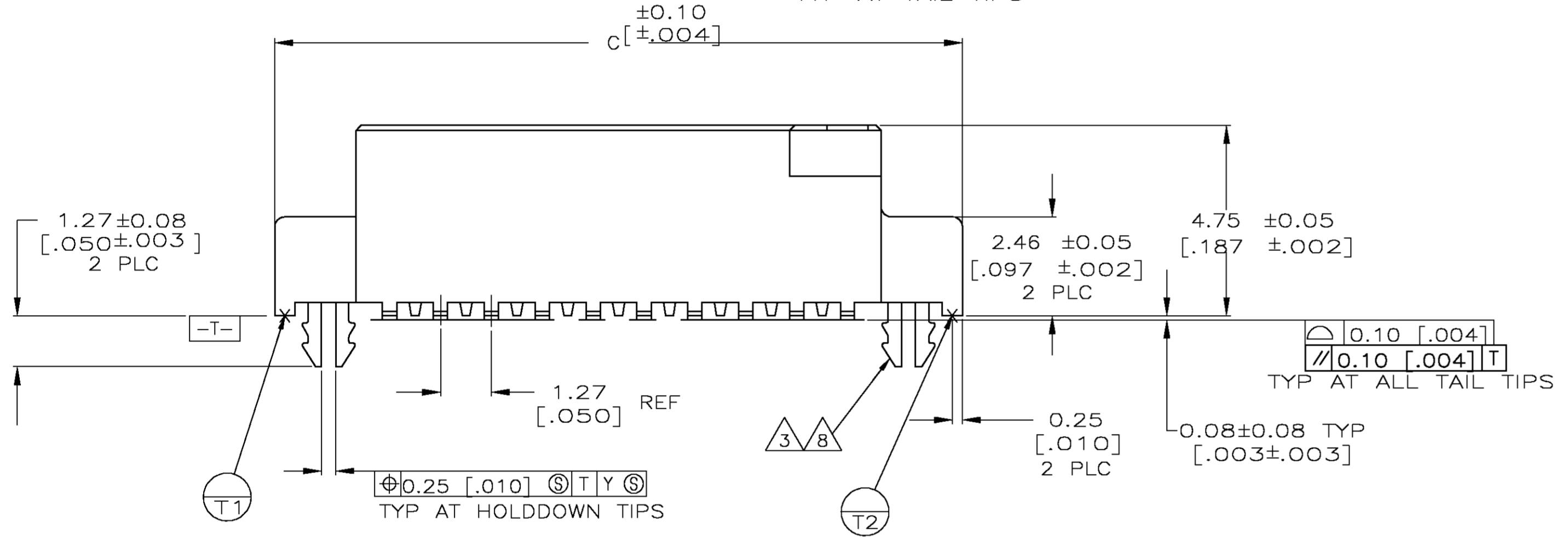
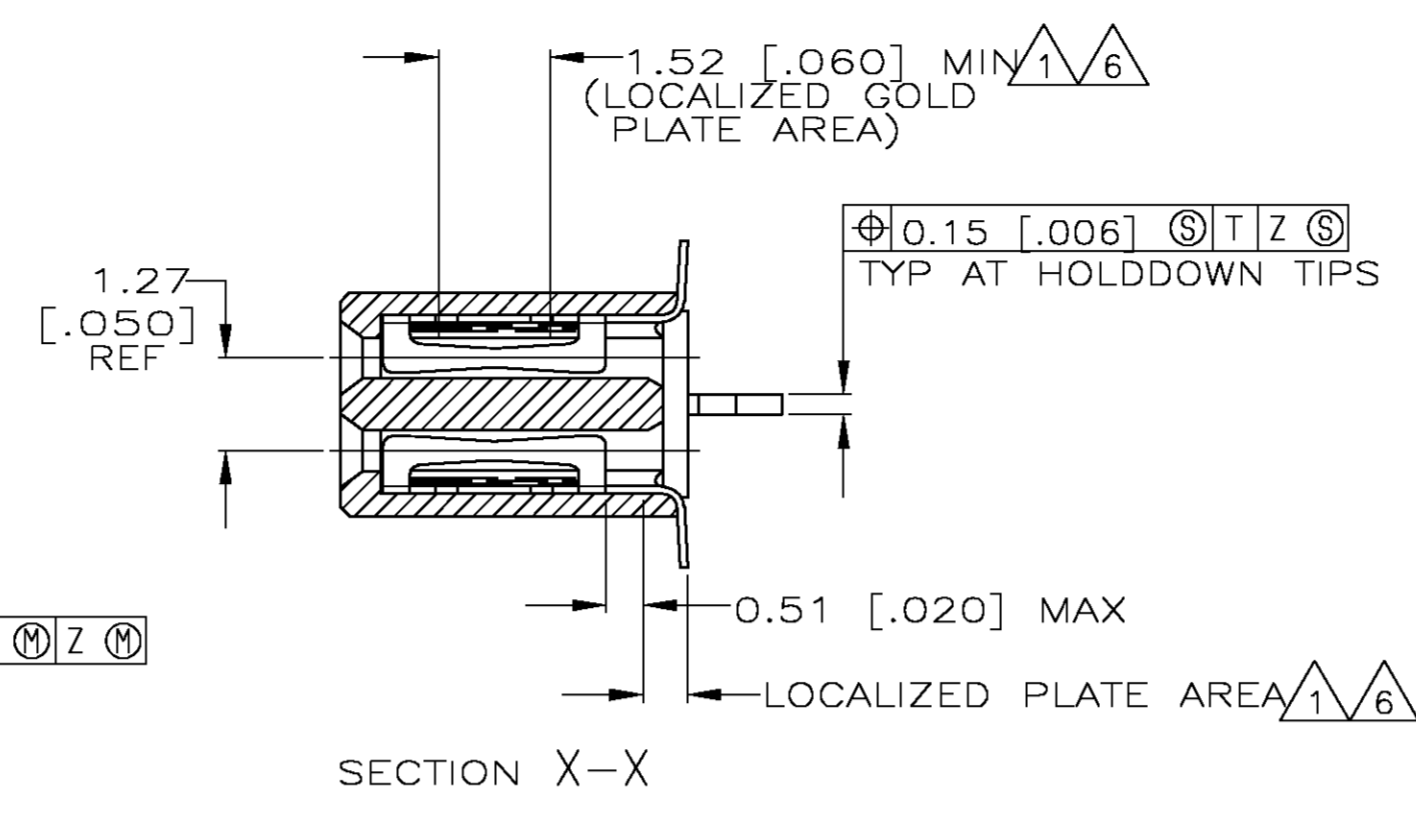
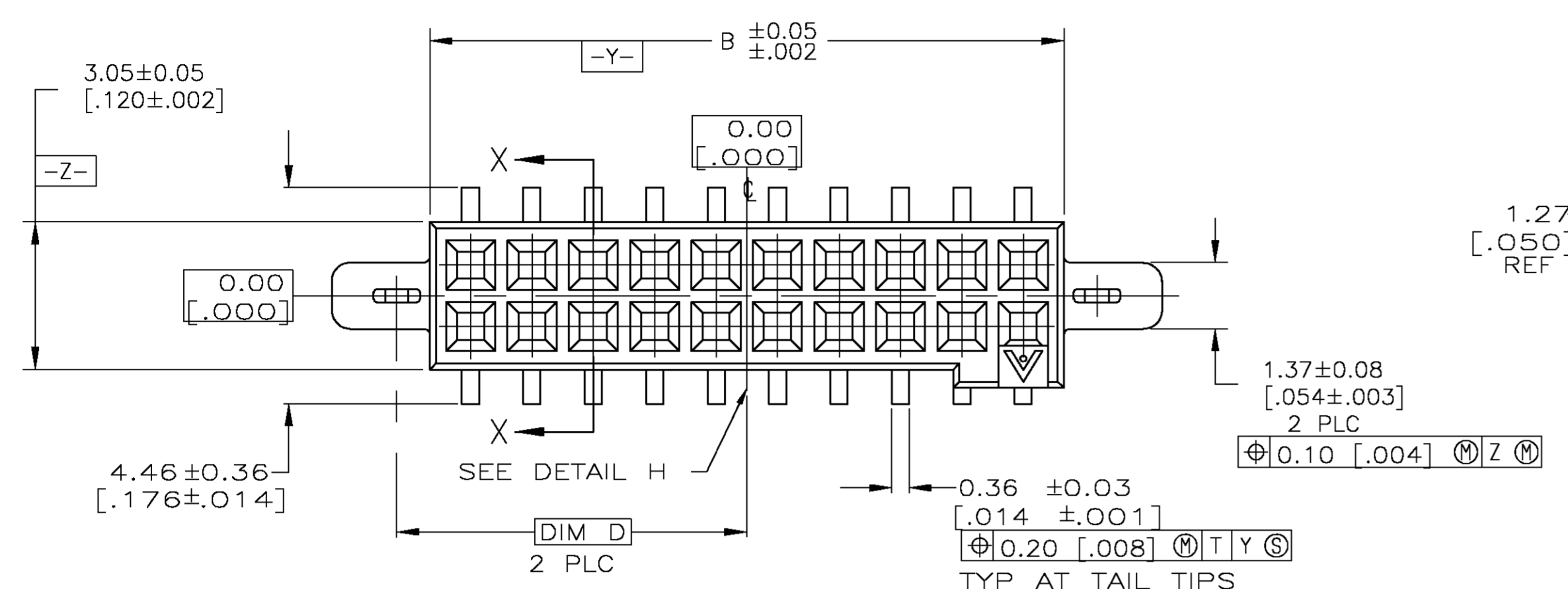
Distributed by:

JAMECO[®]
ELECTRONICS

www.Jameco.com ♦ 1-800-831-4242

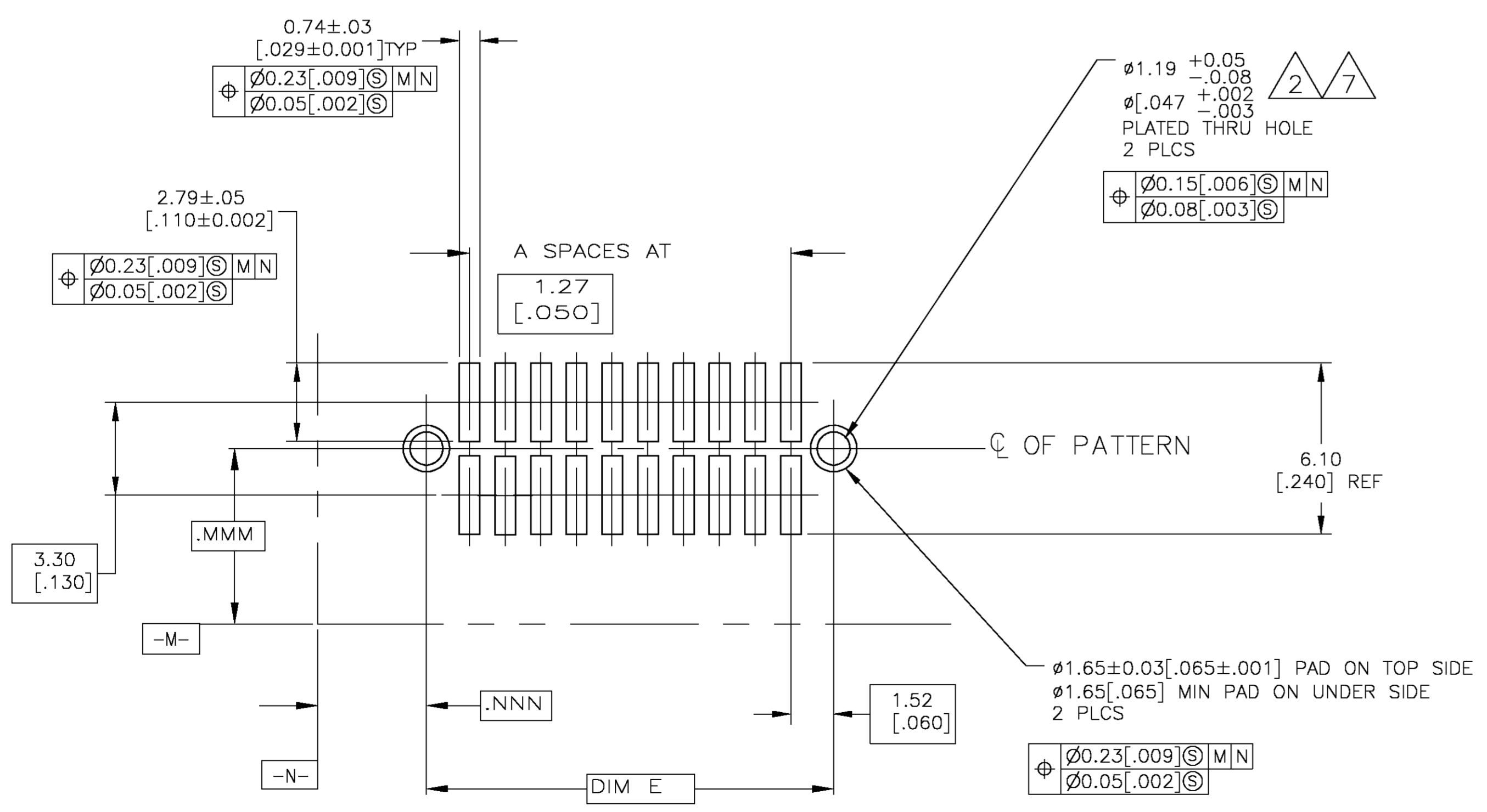
The content and copyrights of the attached
material are the property of its owner.

Jameco Part Number 747817



- 1. 0.00076 [.000030] GOLD IN LOCALIZED PLATE AREA
0.00381 [.000150] TIN-LEAD ON SOLDER TAILS
ALL OVER 0.00127 [.000050] NICKEL
- 2. USE 1.32 ± 0.02 [.0520 ± .0010] DRILLED HOLE (#55 DRILL)
FINISH TO BE TIN/LEAD OVER 0.02 [.001] MIN COPPER
- 3. PLATING: 0.0038 [.000150] TIN-LEAD OVER 0.00127 [.000050] NICKEL
- 4. IF PLANNING TO USE MORE THAN ONE MATING PAIR OF CONNECTORS
TO INTERCONNECT 2 BOARDS, PLEASE REFER TO "SPACING"
PARAGRAPH IN THE APPLICATION SPEC, #114-7010
- 5. HOUSING: LCP, COLOR:BLACK.
CONTACT: COPPER ALLOY PER ASTM SPECIFICATION B422.
HOLDDOWN: COPPER ALLOY PER ASTM SPECIFICATION B194.
- 6. 0.00076 [.000030] GOLD IN LOCALIZED PLATE AREA
0.00381 [.000150] TIN ON SOLDER TAILS
ALL OVER 0.00127 [.000050] NICKEL
- 7. USE 1.32 ± 0.02 [.0520 ± .0010] DRILLED HOLE (#55 DRILL)
FINISH TO BE TIN OVER 0.02 [.001] MIN COPPER
- 8. PLATING: 0.0038 [.000150] TIN OVER 0.00127 [.000050] NICKEL
- 9. PRELIMINARY PART - NOT RELEASED FOR PRODUCTION.

FINISH	E	D	C	B	A	NO OF POS	PART NUMBER
1 3	11.93 [.470]	5.97 [.235]	14.63 [.576]	10.56 [.416]	7	16	6-104652-1
1 3	65.28	32.640	67.97	63.91	49	100	6-104652-0
1 3	58.93	29.46	61.62	57.56	44	90	5-104652-9
1 3	52.58	26.290	55.27	51.21	39	80	5-104652-8
1 3	46.23	23.11	48.92	44.86	34	70	5-104652-7
1 3	39.88	19.940	42.57	38.51	29	60	5-104652-6
1 3	33.53	16.76	36.22	32.16	24	50	5-104652-5
1 3	27.18	13.590	29.87	25.81	19	40	5-104652-4
1 3	20.83	10.41	23.52	19.46	14	30	5-104652-3
1 3	14.48	7.240	17.17	13.11	9	20	5-104652-2
1 3	8.12	4.06	10.82	6.75	4	10	5-104652-1
OBSOLETE	11.93 [.470]	5.97 [.235]	14.63 [.576]	10.56 [.416]	7	16	1-104652-1
OBSOLETE	65.28	32.640	67.97	63.91	49	100	1-104652-0
OBSOLETE	58.93	29.46	61.62	57.56	44	90	104652-9
OBSOLETE	52.58	26.290	55.27	51.21	39	80	104652-8
OBSOLETE	46.23	23.11	48.92	44.86	34	70	104652-7
OBSOLETE	39.88	19.940	42.57	38.51	29	60	104652-6
OBSOLETE	33.53	16.76	36.22	32.16	24	50	104652-5
OBSOLETE	27.18	13.590	29.87	25.81	19	40	104652-4
OBSOLETE	20.83	10.41	23.52	19.46	14	30	104652-3
OBSOLETE	14.48	7.240	17.17	13.11	9	20	104652-2
OBSOLETE	8.12	4.06	10.82	6.75	4	10	104652-1



RECOMMENDED BOARD LAYOUT
SCALE: 7:1

THIS DRAWING IS A CONTROLLED DOCUMENT.		DMN KATE HELM 8/12/91	Tyco Electronics Corporation Harrisburg, Pa 17105-3608	
DIMENSIONS: mm [INCHES]	TOLERANCES UNLESS OTHERWISE SPECIFIED:	CHK D. GORENC	NAME	ASSEMBLY, RECEPTACLE, VERTICAL, DOUBLE ROW, SURFACE MOUNT, AMPMODU 50/50 GRID CONNECTOR
0 PLC ± -	1 PLC ± -	APVD	PRODUCT SPEC	108-1332
2 PLC ± -	3 PLC ± -	APPLICATION SPEC	SIZE	114-7010
4 PLC ± -	ANGLES ± -	WEIGHT	CAGE CODE	00779
FINISH	SEE TABLE	CUSTOMER DRAWING	DRAWING NO	104652
		SCALE	SHEET	1 OF 1