

Distributed by:

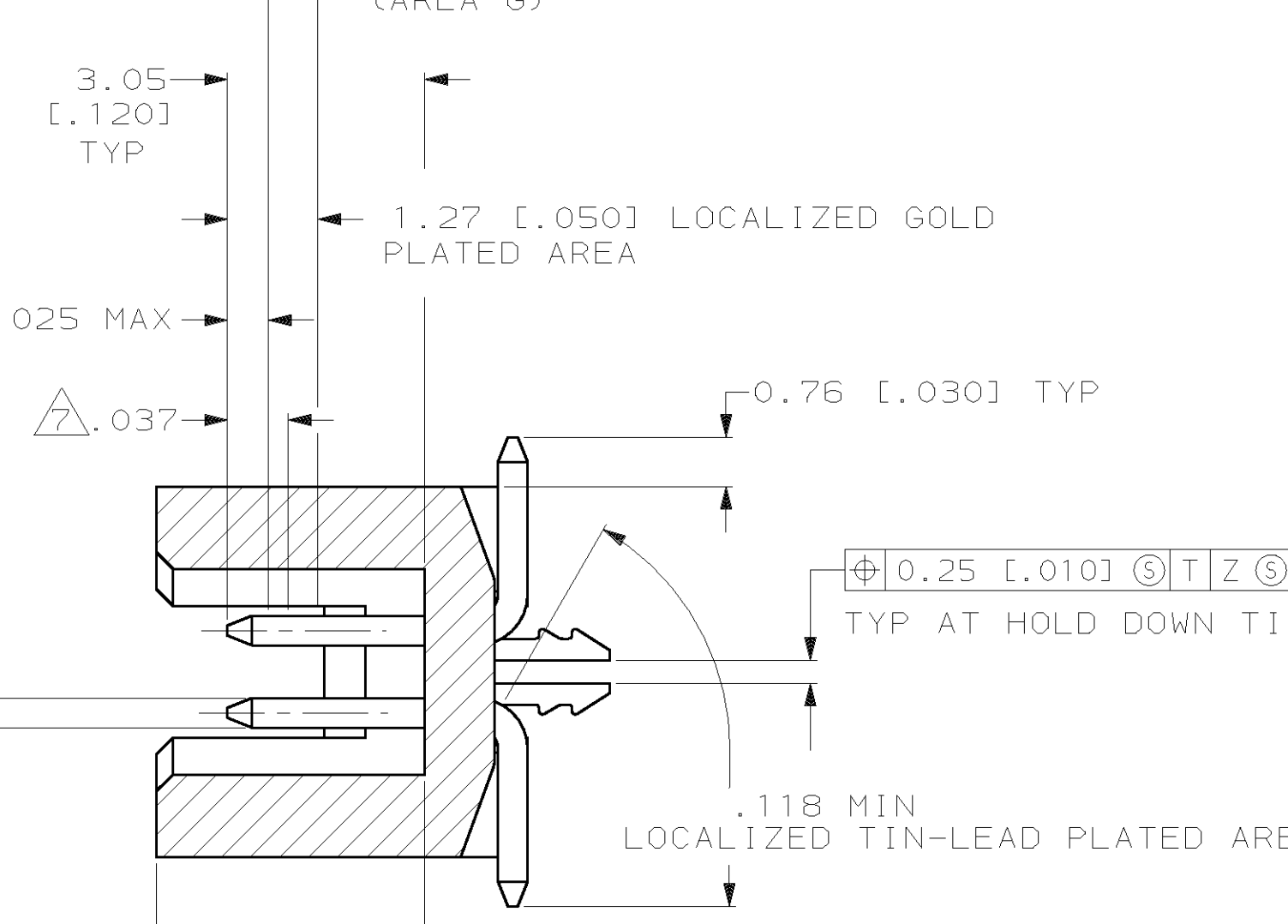
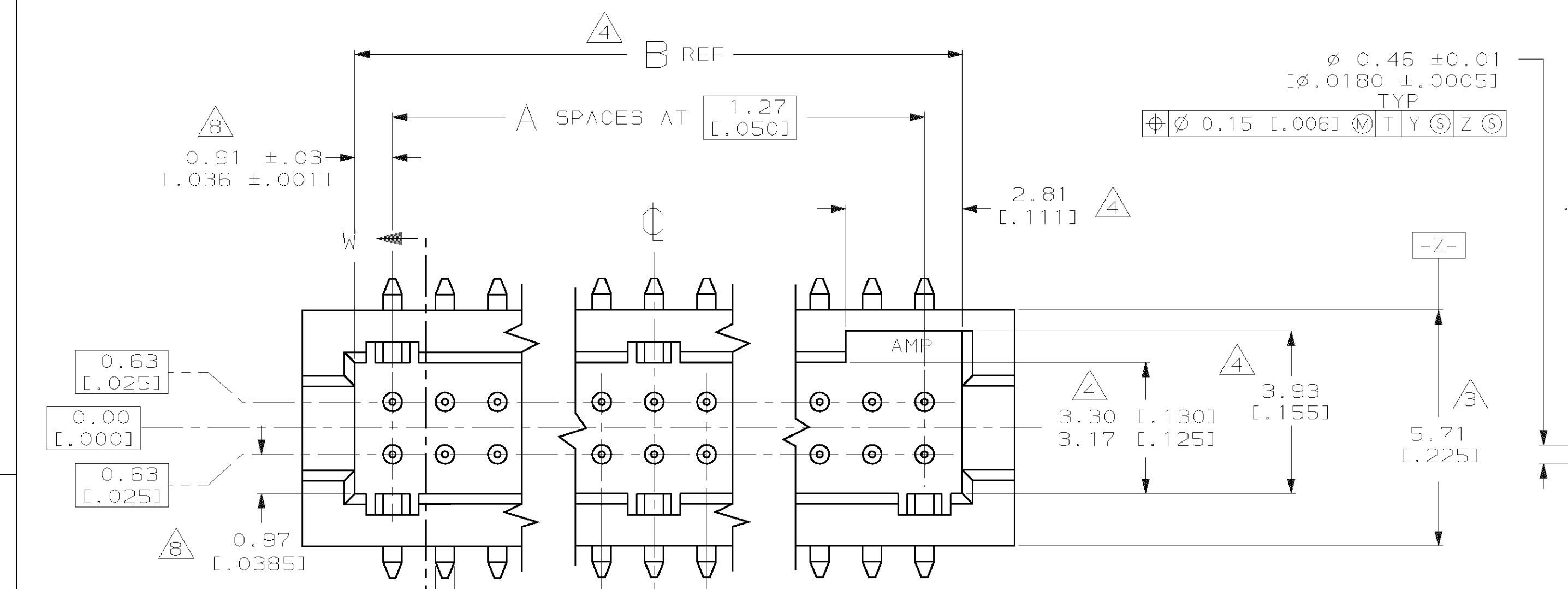
**JAMECO**<sup>®</sup>  
ELECTRONICS

**www.Jameco.com ♦ 1-800-831-4242**

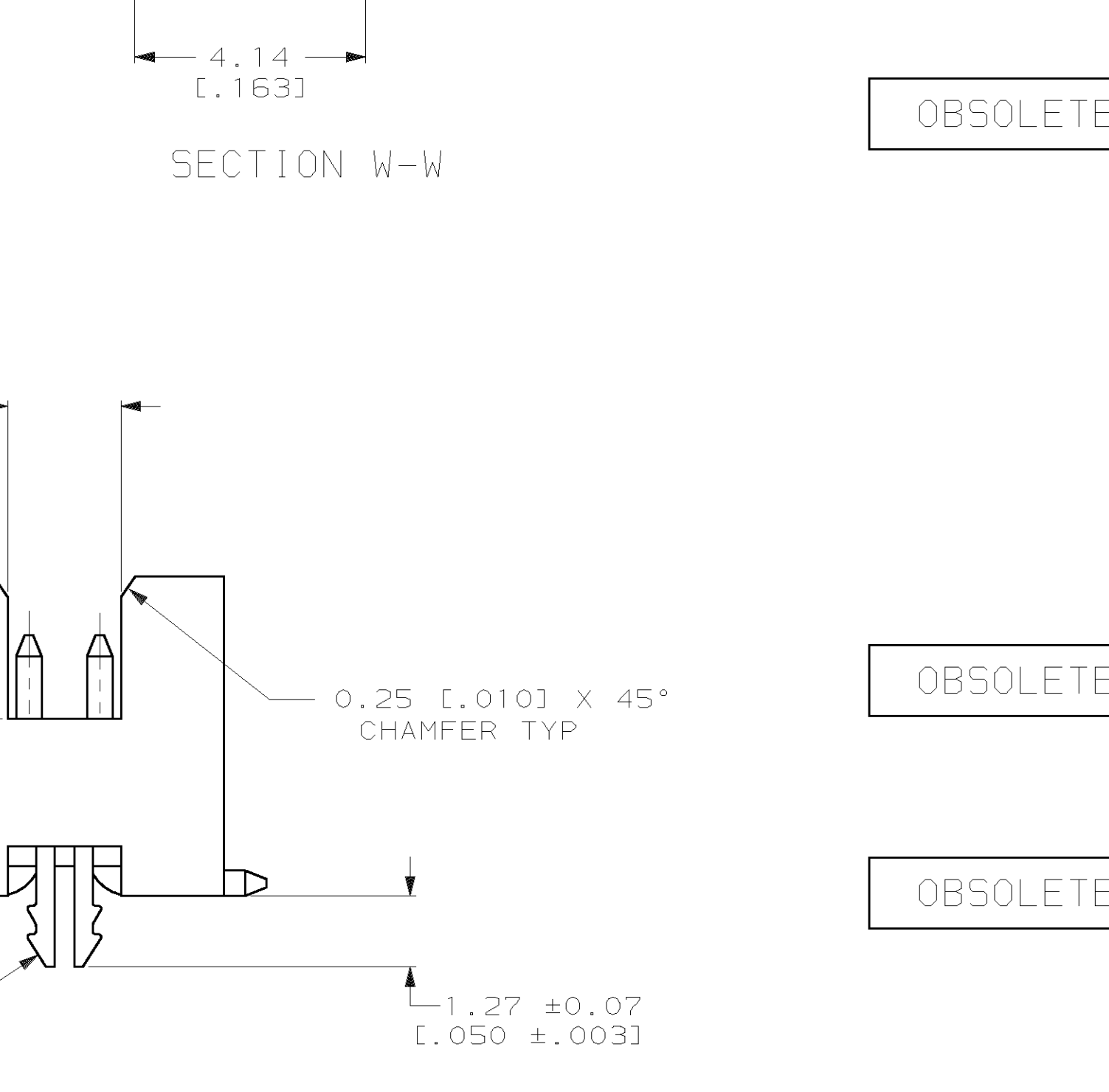
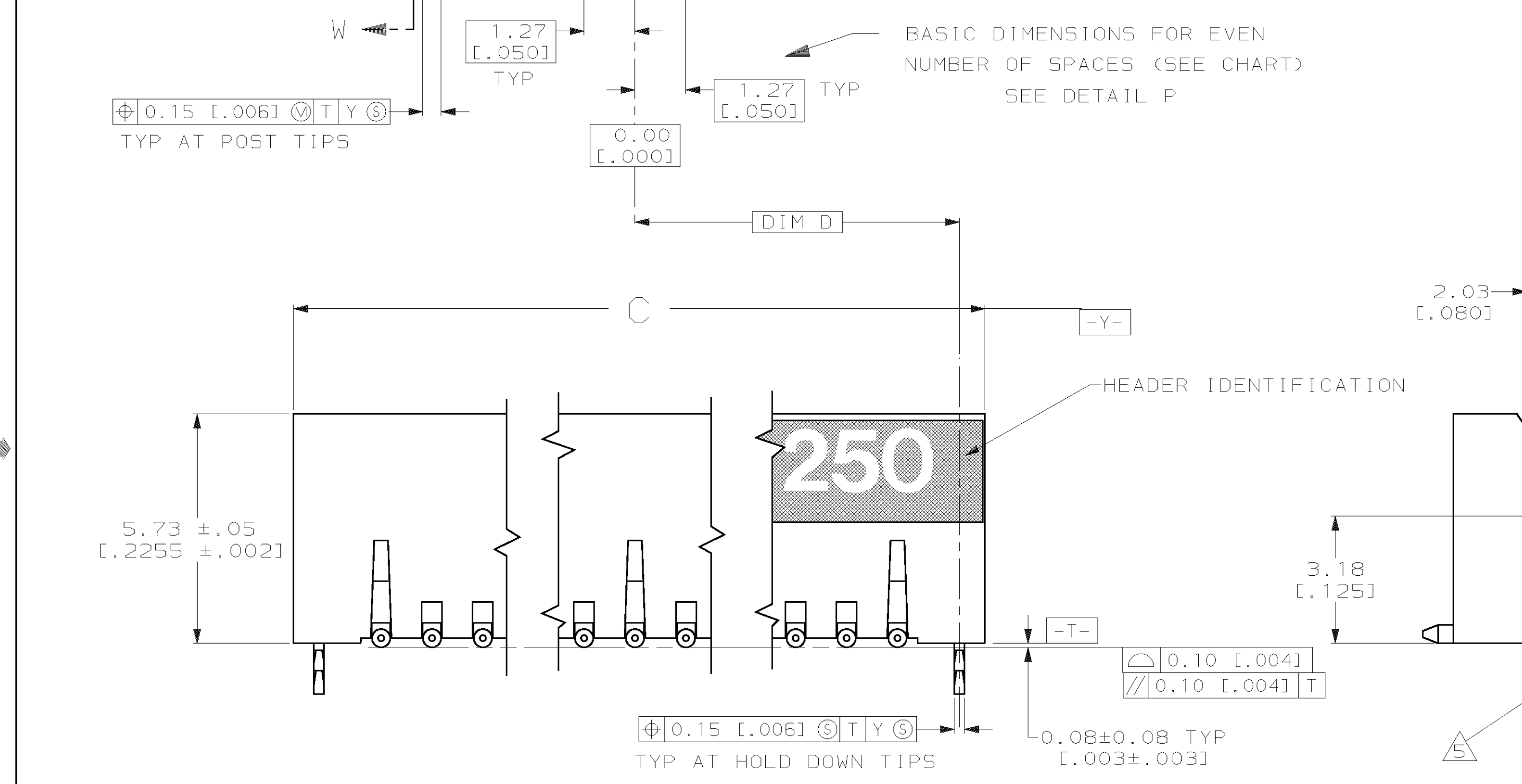
The content and copyrights of the attached  
material are the property of its owner.

Jameco Part Number 739219

LOC		DIST		REV		REVISIONS		DATE	APPD
AD	39	P	F	ZONE	LTR	DESCRIPTION			
					K	REV PER 063C-0106-02		17JAN02	DS
					L	REV PER EC 063C-673-04		01MAY04	DS

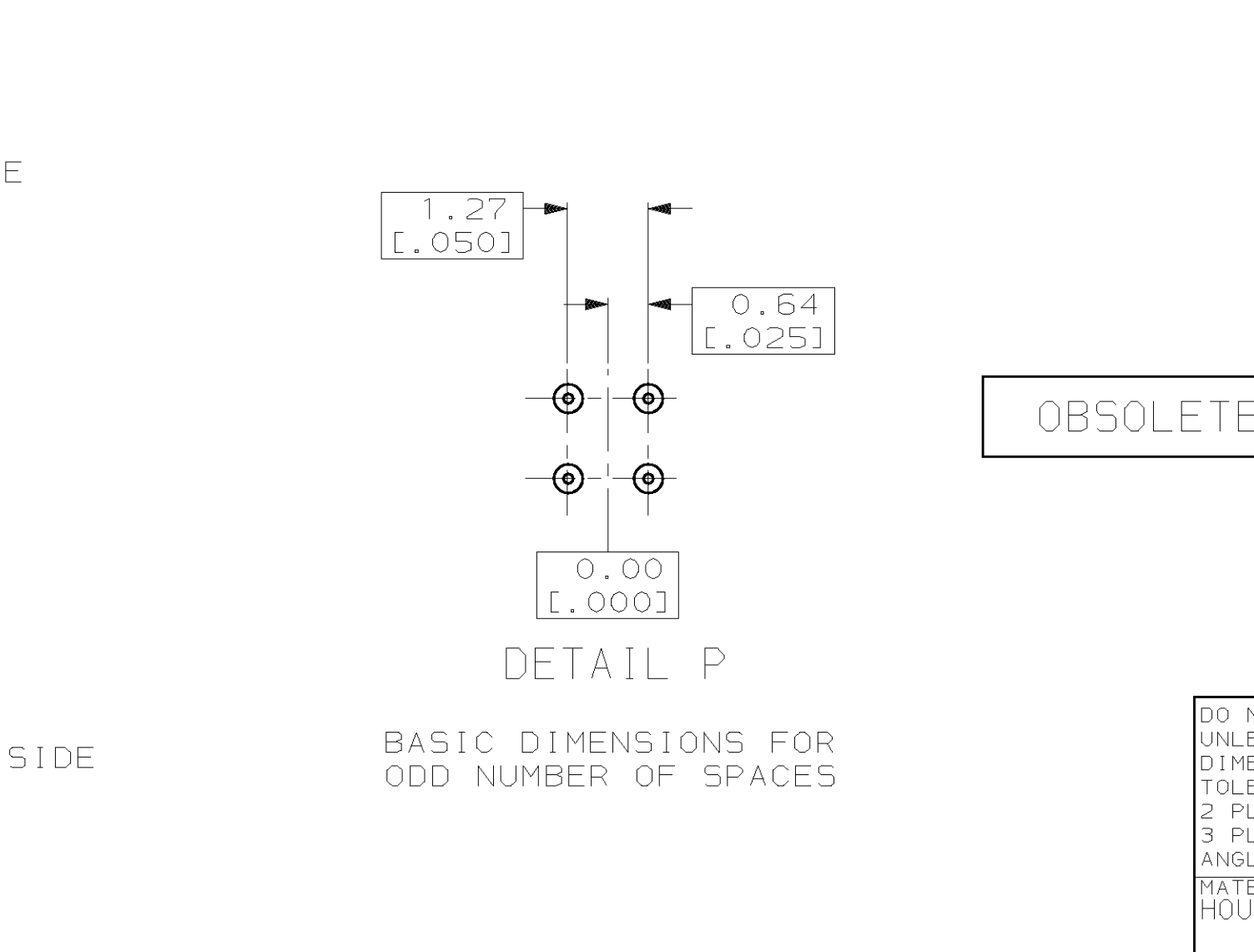
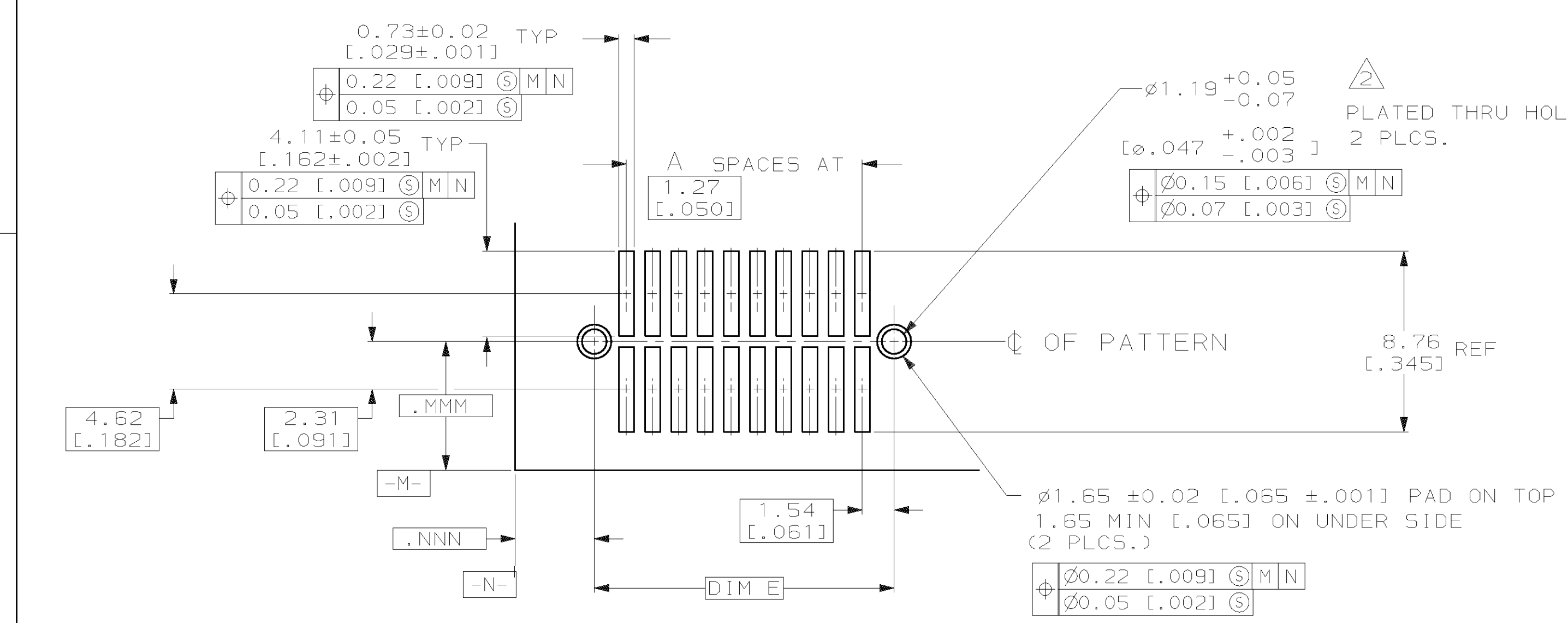


- 1 0.00076[.000030] GOLD AT POINT OF MEASUREMENT, 0.00051[.000020] MIN AT THE END POINTS OF AREA G, (LOCALIZED PLATE AREA), 0.0038[.000150] TIN-LEAD ON LOCALIZED TIN-LEAD PLATED AREA, ALL OVER 0.0013[.000050] NICKEL
- 2 USE 1.32 ± 0.02 [.052 ± 0.001] DRILLED HOLE (#55 DRILL). FINISH TO BE TIN OVER 0.02 [.001] MIN COPPER.
- 3 DIMENSION APPLIES AT BASE OF SHROUD.
- 4 THE NOTED DIMENSIONS APPLY AT THE MATING FACE OF THE HOUSING.
- 5 0.0038 [.000150] TIN-LEAD ON HOLD DOWN, ALL OVER 0.0013 [.000050] NICKEL.
- 6. IF PLANNING TO USE MORE THAN ONE MATING PAIR OF CONNECTORS TO INTERCONNECT 2 BOARDS, PLEASE REFER TO PARA. 3.3 IN THE APPLICATION SPEC, #114-7010
- 7 POINT OF MEASUREMENT
- 8 DIMENSIONS NOTED APPLY FROM THE BASIC DIMENSION LINE (NOT THE CIRCUIT CAVITY CENTER LINE) TO THE SURFACE INDICATED.
- 9 0.00076[.000030] GOLD AT POINT OF MEASUREMENT, 0.00051[.000020] MIN AT THE END POINTS OF AREA G, (LOCALIZED PLATE AREA), 0.0038[.000150] TIN ON LOCALIZED TIN PLATED AREA, ALL OVER 0.0013[.000050] NICKEL



OBsolete  
 OBsolete  
 OBsolete  
 OBsolete

FINISH	E	D	C	B	A	NUMBER OF POSITIONS	PART NUMBER
	65.33 [2.572]	32.66 [1.286]	66.59 [2.622]	64.05 [2.522]	49	100	6-104655-1
	58.97 [2.322]	29.48 [1.161]	60.24 [2.372]	57.70 [2.272]	44	90	6-104655-0
	52.63 [2.072]	26.31 [1.036]	53.89 [2.122]	51.35 [2.022]	39	80	5-104655-9
	46.28 [1.822]	23.13 [0.911]	47.54 [1.872]	45.00 [1.772]	34	70	5-104655-8
	39.93 [1.572]	19.96 [0.786]	41.19 [1.622]	38.65 [1.522]	29	60	5-104655-7
	33.58 [1.322]	16.78 [0.661]	34.84 [1.372]	32.30 [1.272]	24	50	5-104655-6
	27.23 [1.072]	13.61 [0.536]	28.49 [1.122]	25.95 [1.022]	19	40	5-104655-5
	20.88 [0.822]	10.43 [0.411]	22.14 [0.872]	19.60 [0.772]	14	30	5-104655-4
	14.53 [0.572]	7.26 [0.286]	15.79 [0.622]	13.25 [0.522]	9	20	5-104655-3
	11.98 [0.472]	5.99 [0.236]	13.25 [0.522]	10.72 [0.422]	7	16	5-104655-2
	8.18 [0.322]	4.08 [0.161]	9.44 [0.372]	6.90 [0.272]	4	10	5-104655-1
	65.33 [2.572]	32.66 [1.286]	66.59 [2.622]	64.05 [2.522]	49	100	1-104655-1
	58.97 [2.322]	29.48 [1.161]	60.24 [2.372]	57.70 [2.272]	44	90	1-104655-0
	52.63 [2.072]	26.31 [1.036]	53.89 [2.122]	51.35 [2.022]	39	80	104655-9
	46.28 [1.822]	23.13 [0.911]	47.54 [1.872]	45.00 [1.772]	34	70	104655-8
	39.93 [1.572]	19.96 [0.786]	41.19 [1.622]	38.65 [1.522]	29	60	104655-7
	33.58 [1.322]	16.78 [0.661]	34.84 [1.372]	32.30 [1.272]	24	50	104655-6
	27.23 [1.072]	13.61 [0.536]	28.49 [1.122]	25.95 [1.022]	19	40	104655-5
	20.88 [0.822]	10.43 [0.411]	22.14 [0.872]	19.60 [0.772]	14	30	104655-4
	14.53 [0.572]	7.26 [0.286]	15.79 [0.622]	13.25 [0.522]	9	20	104655-3
	11.98 [0.472]	5.99 [0.236]	13.25 [0.522]	10.72 [0.422]	7	16	104655-2
	8.18 [0.322]	4.08 [0.161]	9.44 [0.372]	6.90 [0.272]	4	10	104655-1



DO NOT SCALE PRINT. UNLESS SPECIFIED DIMENSIONS IN mm [INCHES]		DR 08/07/91 KATE HELM		AMP INCORPORATED	
TOLERANCES ON:		CHK 8/12/91 D. GORENC		Harrisburg, Pa. 17105	
2 PLC DEC ± 0.13[.005]		APPD 8/12/91 D. GORENC		NAME	
3 PLC DEC ± ANGLES ± 0°30'		APPD 8/12/91 D. FORKER		HEADER ASSEMBLY, SURFACE MOUNT, AMPMODU 50/50 GRID (6.35 [.250] MATED HEIGHT)	
MATERIAL HOUSING: LCP, COLOR-BLACK		PRODUCT SPEC		SIZE	
POST: PHOS BRONZE		APPLICATION SPEC		D 00779	
HOLD DOWN: COPPER ALLOY		WEIGHT		DRAWING NO	
FINISH		SCALE 10:1		104655	
SEE TABLE				SHEET 1 OF 1	

RECOMMENDED BOARD LAYOUT  
 SCALE - 5:1