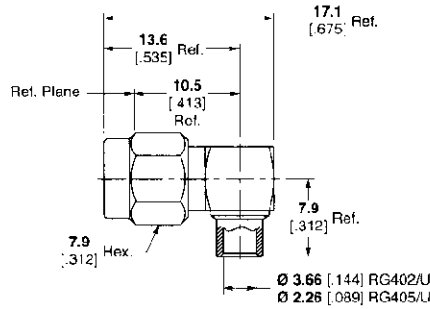
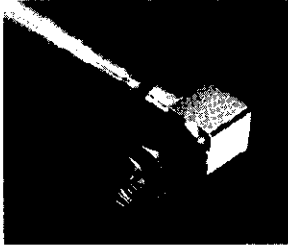


**SMA Connectors (Continued)**  
**Semi-Rigid Cable**

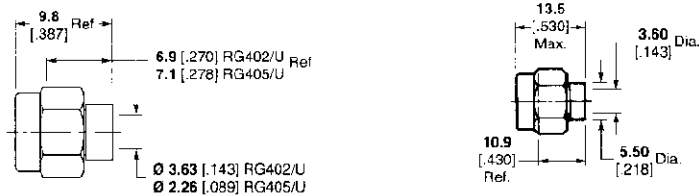
**Right Angle Cable Plug,  
Direct Solder Attachment**



| Cable Type<br>RG/U | Body Material<br>& Finish    | Contact<br>Captivation | Contact<br>Attachment | Solder<br>Assembly Kit<br>Part No. | Instruction<br>Sheet | M/A-COM<br>Model<br>No. | Part<br>No. |
|--------------------|------------------------------|------------------------|-----------------------|------------------------------------|----------------------|-------------------------|-------------|
| 402 (3.58 [0.141]) | Stainless, Gold <sup>1</sup> | Epoxy                  | Solder                | 1055420-1                          | 408-4831             | 2007-7941-02            | 1051151-1   |
| 405 (2.16 [0.085]) | Stainless, Gold <sup>1</sup> | Epoxy                  | Solder                | 1055420-1                          | 408-4831             | 2007-7985-02            | 1051157-1   |
| 402 (3.58 [0.141]) | Brass, Gold                  | Mechanical             | Solder                | 1055420-1                          | 408-4831             | 2207-7941-09            | 1082030-1   |
| 405 (2.16 [0.085]) | Brass, Gold                  | Mechanical             | Solder                | 1055420-1                          | 408-4831             | 2207-7985-09            | 1088312-1   |

<sup>1</sup>Coupling nut is passivated stainless steel.

**Straight Cable Plug, Crimp**

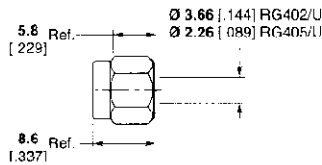
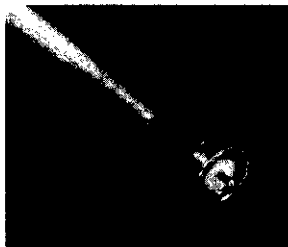


Part No. 1050598-1 and 1050740-1

Part No. 1050742-1

| Cable Type<br>RG/U | Body Material<br>& Finish | Contact<br>Captivation | Contact<br>Attachment | Crimp<br>Tooling<br>Part No. | Instruction<br>Sheet | M/A-COM<br>Model<br>No. | Part<br>No. |
|--------------------|---------------------------|------------------------|-----------------------|------------------------------|----------------------|-------------------------|-------------|
| 405 (2.16 [0.085]) | Stainless, Pass.          | Mechanical             | Solderless            | 1055835-1                    | 408-4695             | 2001-5385-02            | 1050598-1   |
| 402 (3.58 [0.141]) | Stainless, Pass.          | No Center<br>Contact   | Solderless            | 1055835-1                    | 408-4690             | 2001-7641-02            | 1050740-1   |
| 405 (2.16 [0.085]) | Stainless, Pass.          | Mechanical             | Solderless            | 1055835-1                    | 408-4690             | 2001-7642-02            | 1050742-1   |

**Straight Cable Plug —  
Low Profile, Crimp**



| Cable Type<br>RG/U | Body Material<br>& Finish | Contact<br>Captivation | Contact<br>Attachment | Crimp<br>Tooling<br>Part No. | Instruction<br>Sheet | M/A-COM<br>Model<br>No. | Part<br>No. |
|--------------------|---------------------------|------------------------|-----------------------|------------------------------|----------------------|-------------------------|-------------|
| 402 (3.58 [0.141]) | Stainless, Pass.          | No Center<br>Contact   | No Center<br>Contact  | 1055835-1                    | 408-4693             | 2001-5363-02            | 1050591-1   |
| 402 (3.58 [0.141]) | Stainless, Pass.          | Mechanical             | Solderless            | 1055835-1                    | 408-4696             | 2001-5395-02            | 1050602-1   |
| 405 (2.16 [0.085]) | Stainless, Pass.          | Mechanical             | Solderless            | 1055835-1                    | 408-4697             | 2001-5443-02            | 1050611-1   |