

Distributed by:

JAMECO[®]
ELECTRONICS

www.Jameco.com ♦ 1-800-831-4242

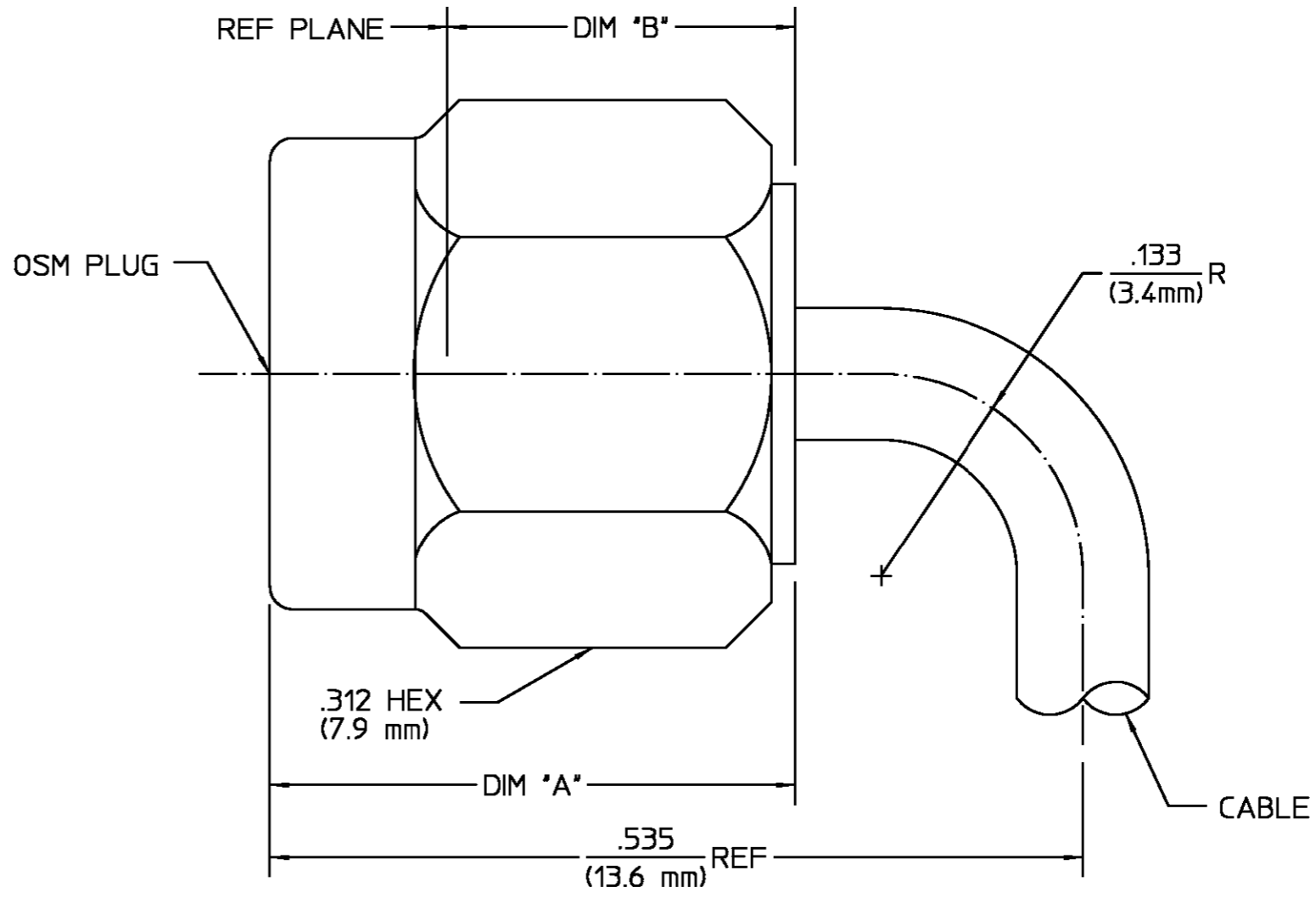
The content and copyrights of the attached
material are the property of its owner.

Jameco Part Number 747999

THIS DRAWING IS UNPUBLISHED. RELEASED FOR PUBLICATION
 COPYRIGHT BY TYCO ELECTRONICS CORPORATION. ALL RIGHTS RESERVED.

LOC	DIST	REVISIONS					
HC	00	P	LTR	DESCRIPTION	DATE	DWN	APVD
		B		ADDED DASH 2	11/9/00		DCM

- NOTES:
1. PICTORIAL VIEW IS AFTER CRIMPING
 2. MIN STRAIGHT CABLE LENGTH: .175
 3. IT IS SUGGESTED TO BEND CABLE PRIOR TO CRIMPING
 4. BULK PACKAGED IN QTY'S OF 100



COMPONENT	MATERIAL	FINISH
HOUSING COUPLING NUT BUSHING	STAINLESS STEEL	PASSIVATE
DIELECTRIC	TFE FLUOROCARBON	N/A
CENTER CONTACT	BERYLLIUM COPPER	GOLD PLATE
RETAINING RING	BERYLLIUM COPPER	N/A
GASKET	SILICONE RUBBER	N/A

ELECTRICAL	MECHANICAL	ENVIRONMENTAL
Nominal Impedance (Ohms) <u>50</u>	Interface Dimensions MIL-STD-348,	Temperature Rating <u>-65° to +105°C</u>
Frequency Range (GHz) <u>DC to 18</u>	Recommended Mating Torque	Vibration MIL-STD-202, Method
Volt Rating (VRMS MAX)	(In/Lbs) <u>7-10</u>	204, Condition D
@ Sea Level <u>375</u>	Center Contact Captivation	Shock MIL-STD-202, Method 213,
VSWR <u>1.05+.005f(GHz)</u>	Axial (Lbs) <u>6</u>	Condition I
Insertion Loss (dB MAX) <u>.03x √f(GHz)</u>	Radial (In/Oz) <u>NONE</u>	Thermal Shock MIL-STD-202,
RF Leakage (dB MIN) (Interface Only,	Cable Retention	Method 102, Condition C
Fully Mated) <u>-(100-f(GHz))</u>	Axial Force (Lbs) <u>30</u>	Moisture Resistance MIL-STD-202,
Corona, 70,000 Ft (VRMS MIN) <u>335</u>	Torque (In/Oz) <u>16</u>	Method 106
Dielectric Withstanding Voltage	Weight (Grams) <u>2.1</u>	Corrosion - MIL-STD-202, Method
(VRMS MIN) @ Sea Level <u>1000</u>		101, Condition B
Contact Resistance (Milliohms MAX)		
Center Contact <u>2.0</u>		
Outer Contact <u>2.0</u>		
Cable to Housing <u>0.5</u>		
RF High Potential @ Sea Level		
(VRMS MIN @ 5 MHz) <u>670</u>		
I.R.(Megohms MIN) <u>5000</u>		

DESIGNED FOR USE WITH .085 S.R.(RG 405/U)	
CABLE ENTRY DIAMETER MINIMUM	
HOUSING	.088
CONTACT	.021

	DIM "A"	DIM "B"
BEFORE CRIMPING	.335 ± .020 (8.5 mm)	.317 REF (8.1 mm)
AFTER CRIMPING	.335 ± .020 (8.5 mm)	.230 REF (5.8 mm)

△	1050611-2
---	1050611-1
COMMENTS	AMP P/N

THIS DRAWING IS A CONTROLLED DOCUMENT. DWN: *Comella* 10/17/00
 CHK: *JK*

AMP Tyco Electronics Corporation
 Waltham MA. 02451-7599

NAME: OSM LOW PROFILE STRAIGHT CABLE PLUG-COMPRESSION CRIMP ATTACHMENT (2001-5443-02)

APVD: _____
 PRODUCT SPEC: _____
 APPLICATION SPEC: _____

SIZE: A2 CAGE CODE: 26805 DRAWING NO: 1050611 RESTRICTED TO: B

IS SHEET: 408-4697 CUSTOMER DRAWING SCALE: 10:1 SHEET: 1 OF 1 REV: _____