



Have a Question?
 Chat with a Product Information Specialist

What can we help you find?

[Products](#) [Industries](#) [Resources](#) [About TE](#) [My Account](#) [Innovation](#) [Support Center](#)

1053354-1 Product Details

[Share](#) [Print](#) [Email](#)



1053354-1

TE Internal Number: 1053354-1

Active

[View 3D PDF](#)

SMA/QMA RF Connectors

Always EU RoHS/ELV Compliant (Statement of Compliance)

Product Highlights:

- Applies To Printed Circuit Board
- Connector - RF
- RF Connector Type = SMA
- Jack
- Without Snap-Lock

[View all Features](#)

Quick Links

- ▶ [Pricing & Availability](#)
- ▶ [Search for Tooling](#)
- ▶ [Product Feature Selector](#)
- ▶ [Contact Us About This Product](#)

[Add to My Part List](#) [Request Sample](#) [Find Similar Products](#) [Buy Product](#)

Documentation & Additional Information

Product Drawings:

- [ASSEMBLY, JACK SMA](#) (PDF, English)

Catalog Pages/Data Sheets:

- [SMA Connectors](#) (PDF, English)

Product Specifications:

- None Available

Application Specifications:

- None Available

Instruction Sheets:

- None Available

CAD Files: [\(CAD Format & Compression Information\)](#)

- [2D Drawing](#) (DXF, Version A)
- [3D Model](#) (IGES, Version A)
- [3D Model](#) (STEP, Version A)

[List all Documents](#)

Related Products:

- [Tooling](#)

Product Features (Please use the Product Drawing for all design activity)

Product Type Features:

- [Product Type](#) = Connector - RF
- RF Connector Type = SMA
- [Gender](#) = Jack
- [PCB Mounting Orientation](#) = Vertical
- Captivated Contacts = With
- Dielectric Material = PTFE Thermoplastic

Mechanical Attachment:

- [Panel Mount Retention](#) = Without

Dimensions:

- [Length \(mm \[in\]\)](#) = 9.53 [0.375]

Body Features:

- Snap-Lock = Without
- [Body Style](#) = Straight
- [Body Material](#) = Stainless Steel
- [Body Finish](#) = Gold

Contact Features:

- [Center Contact](#) = With
- [Center Contact Material](#) = Beryllium Copper
- [Center Contact Plating](#) = Gold

Industry Standards:

- [Government/Industry Qualification](#) = No
- [RoHS/ELV Compliance](#) = RoHS compliant, ELV compliant
- [Lead Free Solder Processes](#) = Wave solder capable to 240°C, Wave solder capable to 260°C, Wave solder capable to 265°C, Reflow solder capable to 245°C, Reflow solder capable to 260°C, Pin-in-Paste capable to 245°C, Pin-in-Paste capable to 260°C
- [RoHS/ELV Compliance History](#) = Always was RoHS compliant

Conditions for Usage:

- [Applies To](#) = Printed Circuit Board

Other:

- [Brand](#) = TE Connectivity

Corporate Information

- [About TE](#)
- [Investors](#)
- [News Room](#)
- [Supplier Portal](#)
- [Careers](#)

Quick Links

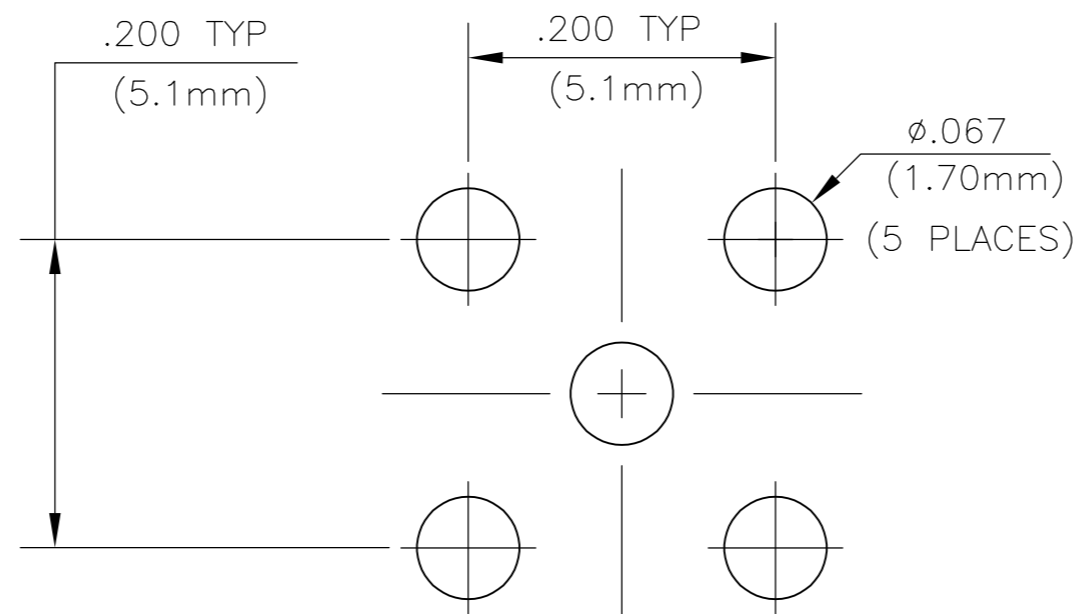
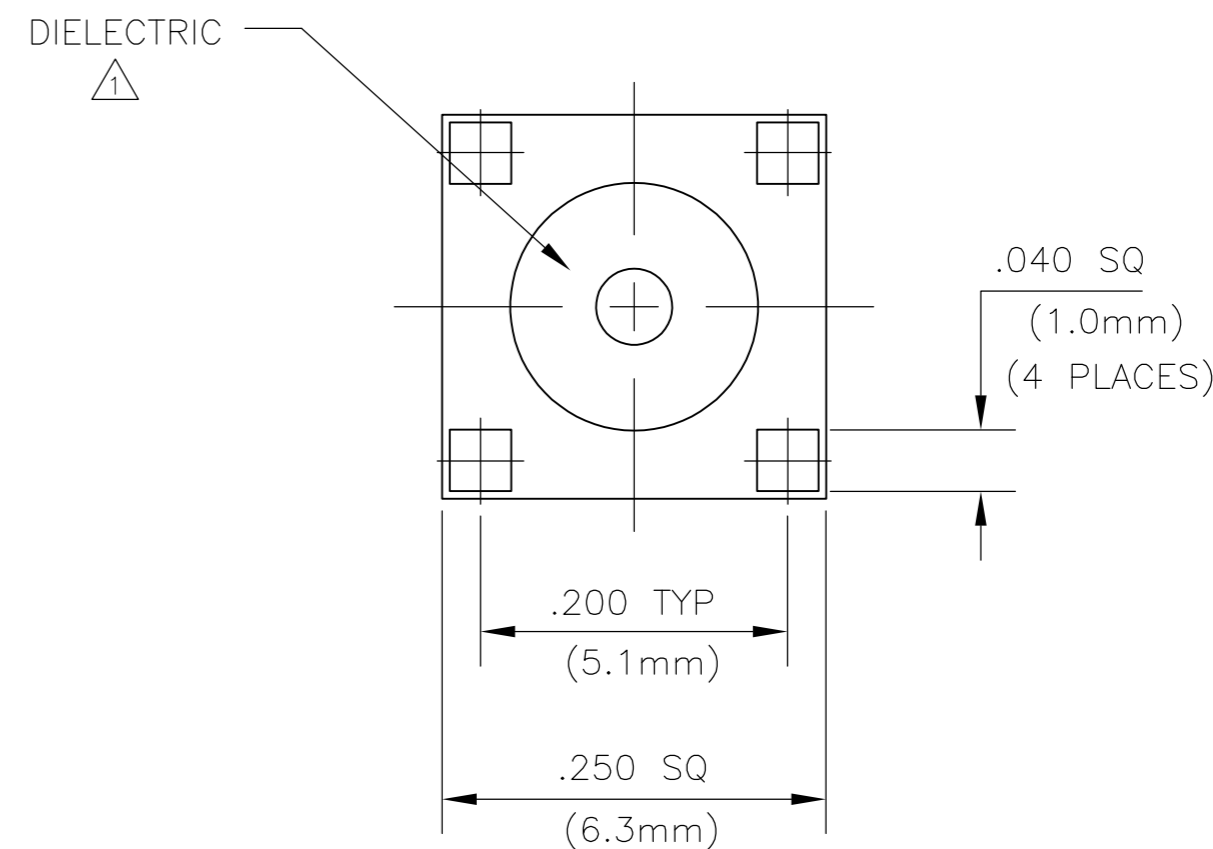
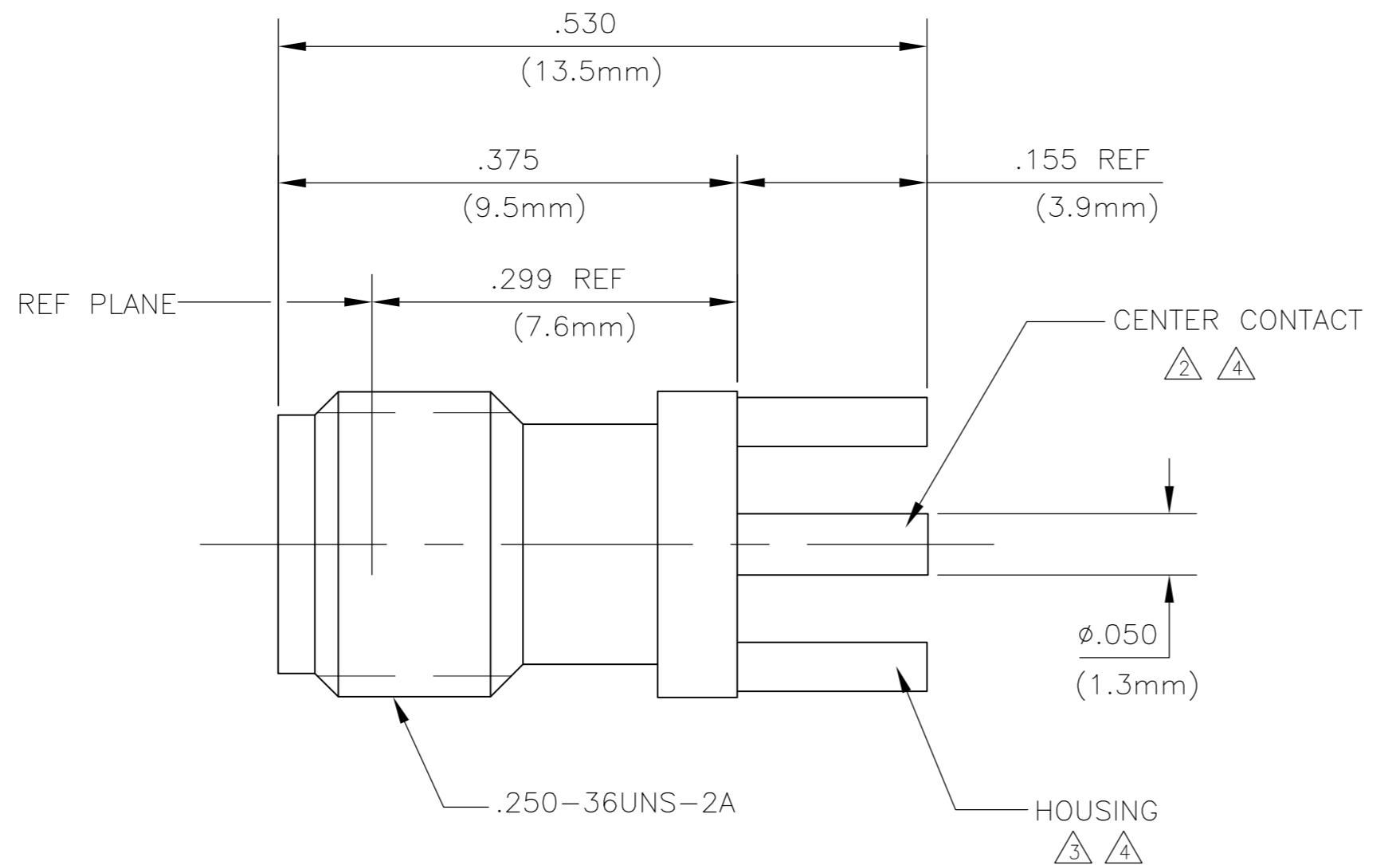
- [Distributor Inventory](#)
- [Product Cross Reference](#)
- [Documents & Drawings](#)
- [Product Compliance Support Center](#)
- [Site Map](#)

Customer Support

- [Email or Chat With Us](#)
- [Find a Phone Number](#)
- [Knowledge Base](#)
- [Manage Your Account](#)

THIS DRAWING IS UNPUBLISHED. RELEASED FOR PUBLICATION
 © COPYRIGHT - By - ALL RIGHTS RESERVED.

LOC		DIST		REVISIONS			
P	LTR	DESCRIPTION	DATE	DWN	APVD		
	B	ECO-11-005980	9MAY2011	BL	MY		



- PTFE
- BERYLLIUM COPPER
- STAINLESS STEEL
- GOLD PLATE

1053354-1
 PART NUMBER

THIS DRAWING IS A CONTROLLED DOCUMENT.		DWN	BING LIU	9MAY2011	TE Connectivity ASSEMBLY, JACK SMA				
DIMENSIONS:		CHK	ANSON MA	9MAY2011				NAME	
INCHES		APVD	MARTIN YE	9MAY2011				SIZE	CAGE CODE
		PRODUCT SPEC						DRAWING NO	RESTRICTED TO
TOLERANCES UNLESS OTHERWISE SPECIFIED:		APPLICATION SPEC			A2	00779	C=1053354		
0 PLC ± -		WEIGHT	-		SCALE	8:1	SHEET		
1 PLC ± -		MATERIAL	2		REV	B			
2 PLC ± -		FINISH	4						
3 PLC ± .005		RESTRICTED CUSTOMER							
4 PLC ± -									
ANGLES ± -									