

1054868-1 Product Details

[Share](#) [Print](#) [Email](#)



1054868-1

TE Internal Number:
1054868-1

 Active

SMA/QMA RF Connectors

 Always EU RoHS/ELV Compliant (Statement of Compliance)

Product Highlights:

- Adapter
- RF Connector Type = SMA
- Without Snap-Lock
- Adapter Type = Jack-Jack
- Body Style = Straight

[View all Features](#)

Quick Links

- ▶ [Pricing & Availability](#)
- ▶ [Search for Tooling](#)
- ▶ [Product Feature Selector](#)
- ▶ [Contact Us About This Product](#)

[Add to My Part List](#)

[Request Sample](#)

[Find Similar Products](#)

[Buy Product](#)

Documentation & Additional Information

Product Drawings:

- [BULKHEAD FEEDTHROUGH JACK TO JACK ADAPTER \(PDF, English\)](#)

Catalog Pages/Data Sheets:

- None Available

Product Specifications:

- None Available

Application Specifications:

- None Available

Instruction Sheets:

- None Available

CAD Files:

- None Available

[List all Documents](#)

Related Products:

- [Tooling](#)

Product Features (Please use the Product Drawing for all design activity)

Product Type Features:

- [Product Type](#) = Adapter
- RF Connector Type = SMA
- [Adapter Type](#) = Jack-Jack
- Captivated Contacts = With
- Dielectric Material = TFE Fluorocarbon

Mechanical Attachment:

- [Panel Mount Retention](#) = With
- [Panel Mount Retention Type](#) = Bulkhead
- [Panel Attachment Style](#) = Rear Mount

Electrical Characteristics:

- Frequency = DC - 18 GHz

Dimensions:

- [Length \(mm \[in\]\)](#) = 22.20 [0.874]

Body Features:

- Snap-Lock = Without
- [Body Style](#) = Straight

Contact Features:

- [Center Contact](#) = With
- Center Contact Material = Beryllium Copper
- Center Contact Plating = Gold over Copper

Configuration Features:

- Captivation Method = Epoxy

Industry Standards:

- Government/Industry Qualification = No
- [RoHS/ELV Compliance](#) = RoHS compliant, ELV compliant
- [Lead Free Solder Processes](#) = Not relevant for lead free process
- RoHS/ELV Compliance History = Always was RoHS compliant

Other:

- Brand = AMP

- [Body Material](#) = Stainless Steel
- [Body Finish](#) = Gold

Corporate Information

[About TE](#)
[Investors](#)
[News Room](#)
[Supplier Portal](#)
[Careers](#)
[Terms & Conditions](#)
[Privacy Policy](#)

Quick Links

[Distributor Inventory](#)
[Product Cross Reference](#)
[Documents & Drawings](#)
[Product Compliance Support Center](#)
[Site Map](#)

Customer Support

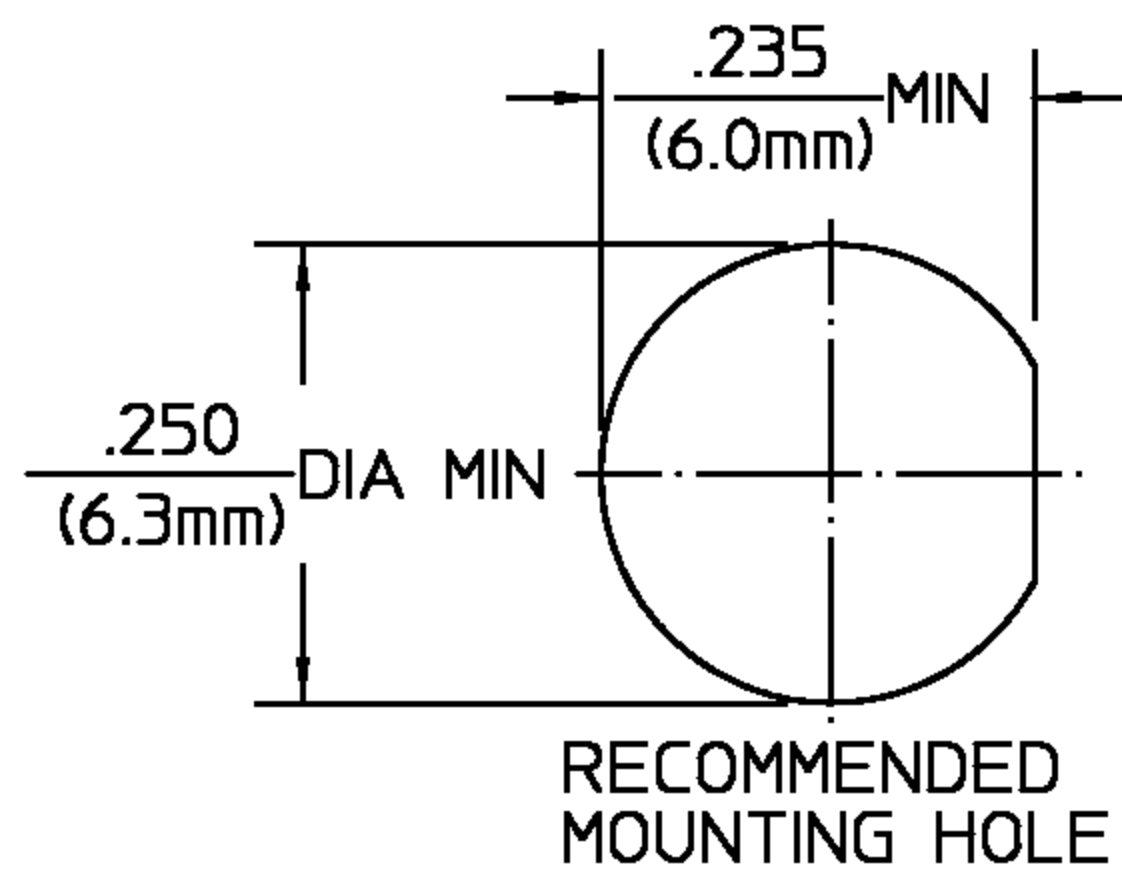
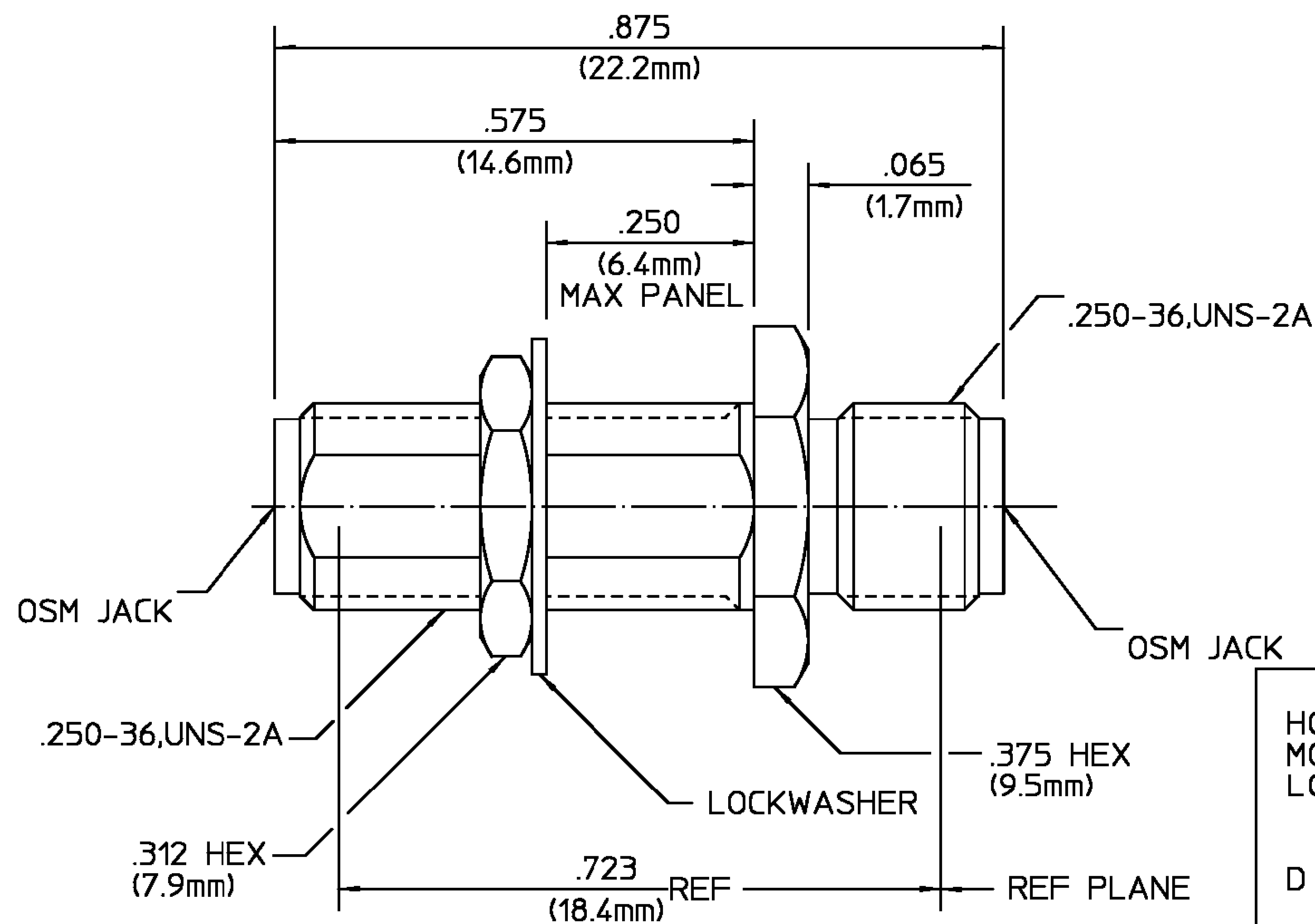
[Email or Chat With Us](#)
[Find a Phone Number](#)
[Knowledge Base](#)
[Manage Your Account](#)



Keep Me Informed



REVISIONS			
REV	DESCRIPTION	DATE	APPROVED
A1	REVISED PER ECO-11-005294	14APR11	HMR



NOTES:
1. CAPTURED CENTER CONTACT

HOUSING MOUNTING NUT LOCKWASHER	STAINLESS STEEL PER ASTM-A484 AND ASTM- A582, TYPE 303	GOLD PLATE PER MIL-G-45204 OVER NICKLE PLATE PER QQ-N-290
DIELECTRIC	TFE FLUOROCARBON PER MIL-P-19468 AND FED SPEC L-P-403	N/A
CENTER CONTACT	BERYLLIUM COPPER PER QQ-C-530, ALLOY 173	GOLD PLATE PER MIL-G-45204 OVER COPPER PLATE PER MIL-C-14550

COMPONENT	MATERIAL	FINISH
-----------	----------	--------

UNLESS OTHERWISE SPECIFIED DIMENSIONS ARE IN INCHES TOLERANCE ON	DRAWN BY E.F. HOYLE	DATE 1/25/89
FRAC. DEC. ANGLES	CHECKED BY L. ROSS	2-10-89
± 1/64 ±.005 ± °	APPD BY	



USE ASSY PROCEDURE 2722789	TITLE BULKHEAD FEEDTHROUGH JACK TO JACK ADAPTER
NO. AP. N/A	SIZE B CODE IDENT NO. 26805 C-1054868-1 REV A1

SCALE 5:1	SHEET 1 OF 1
-----------	--------------

CUSTOMER DRAWING