

Distributed by:

JAMECO[®]
ELECTRONICS

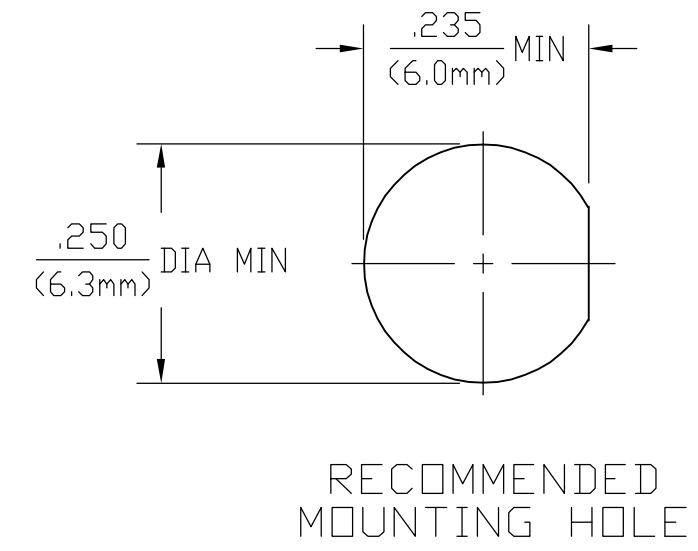
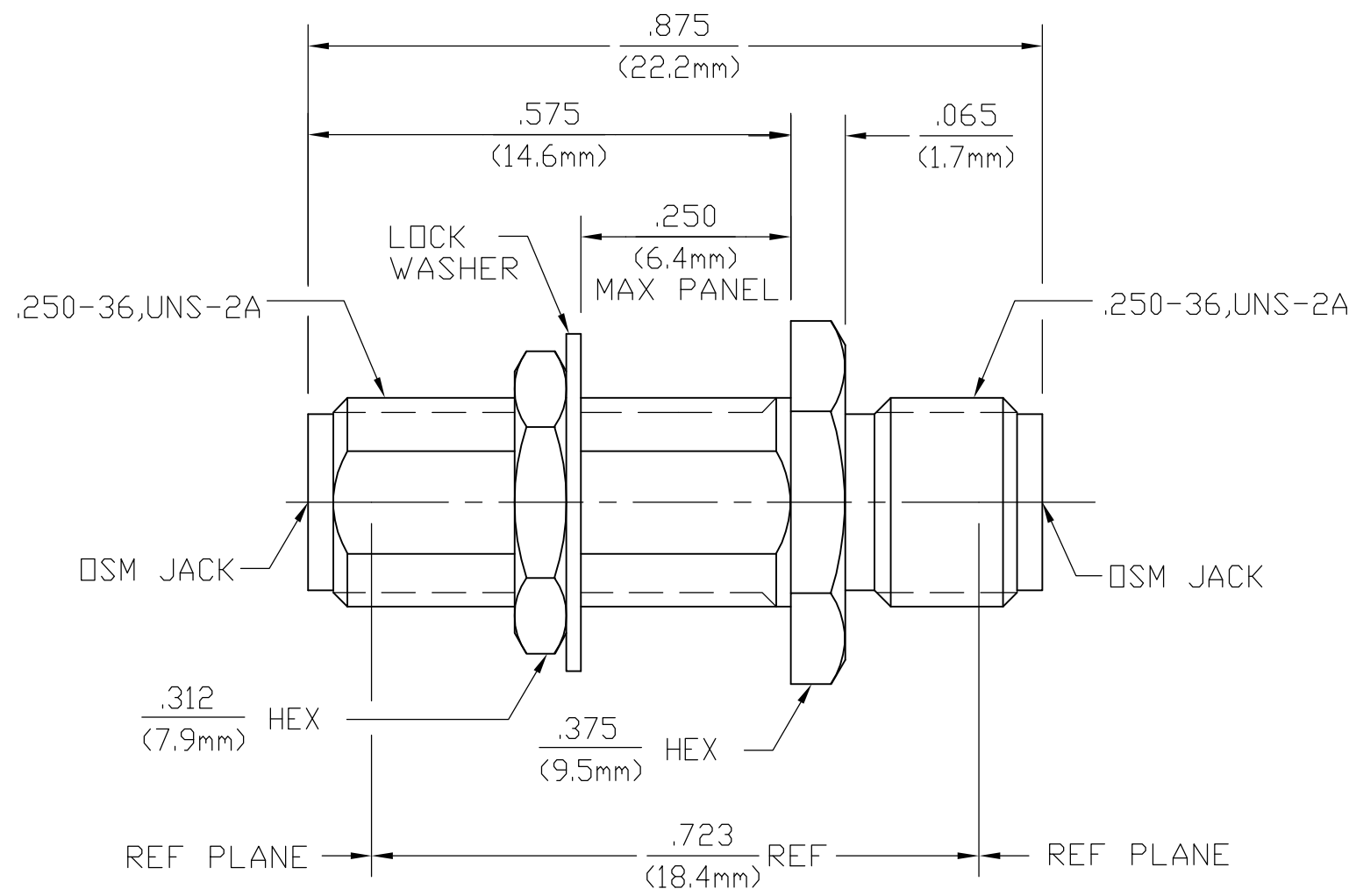
www.Jameco.com ♦ 1-800-831-4242

The content and copyrights of the attached
material are the property of its owner.

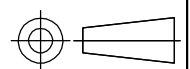
Jameco Part Number 896257

THIS DRAWING IS UNPUBLISHED. RELEASED FOR PUBLICATION
 © COPYRIGHT BY TYCO ELECTRONICS CORPORATION. ALL RIGHTS RESERVED.

LOC	DIST	REVISIONS					
AJ	16	P	LTR	DESCRIPTION	DATE	DWN	APVD
			B	REVISED PER ECO-05-013872	23NOV05	BM	KW



RECOMMENDED MOUNTING HOLE

ELECTRICAL Nominal Impedance (Ohms) <u>50</u> Frequency Range (GHz) DC to <u>18</u> Volt Rating (VRMS MAX) @ Sea Level <u>335</u> VSWR <u>1.05 +.005</u> Insertion Loss (dB MAX) <u>.03 √f(GHz)</u> RF Leakage (dB MIN) <u>60</u> @ 2 to 3 GHz Corona, 70,000 Ft (VRMS MIN) <u>250</u> Dielectric Withstanding Voltage (VRMS MIN) @ Sea Level <u>1,500</u> Contact Resistance (Milliohms MAX) Center Contact <u>4.0</u> Outer Contact <u>2.0</u> Cable to Housing <u>N/A</u> RF High Potential @ Sea Level (VRMS MIN @ 5 MHz) <u>670</u> I.R.(Megohms MIN) <u>5,000</u>		MECHANICAL Interface Dimensions MIL-STD-348A, Fig. 310.2 BOTH ENDS Recommended Mating Torque <u>N/A</u> Mating Characteristics: Insertion (MAX Lbs) <u>3.0</u> Withdrawal (MIN Oz) <u>1.0</u> Force to Engage and Disengage (In-Lbs MAX) <u>2.0</u> Center Contact Captivation Axial (Lbs) <u>6.0</u> Radial (In-Oz) <u>4.0</u> Cable Retention Axial Force (Lbs) <u>N/A</u> Torque (In-Oz) <u>N/A</u> Weight (Grams) <u>3.8</u>		ENVIRONMENTAL TEMPERATURE RATING <u>-65°C TO +125°C</u> Vibration MIL-STD-202, Method 204, Condition D. Shock MIL-STD-202, Method 213, Condition I. Thermal Shock MIL-STD-202, Method 107, Condition C, except HIGH TEMP SHALL BE +115°C. Moisture Resistance MIL-STD-202, Method 106 Corrosion - MIL-STD-202, Method 101, Condition B, 5% salt spray		HOUSING STAINLESS STEEL PER ASTM-A484 AND ASTM-A582, TYPE 303 DIELECTRIC TFE FLUOROCARBON PER ASTM-D-1457 CENTER CONTACT BERYLLIUM COPPER PER ASTM B 196, ALLOY C17300, CONDITION H		PASSIVATE PER ASTM-A380 N/A FINISH GOLD PLATE PER MIL-G-45204 OVER COPPER PLATE PER MIL-C-14550		KIT 1054869-3 BULK 1054869-1 PART NUMBER	
COMPONENT THIS DRAWING IS A CONTROLLED DOCUMENT.		MATERIAL DIMENSIONS: INCHES[mm] 		FINISH TOLERANCES UNLESS OTHERWISE SPECIFIED: 0 PLC ± - 1 PLC ± - 2 PLC ± - 3 PLC ± .005 4 PLC ± - ± 1' ANGLES ± 1'		DWN E.F.HOYLE 1/25/89 CHK L.ROSS 2/10/89 APVD [Signature] 2/22/89 PRODUCT SPEC - APPLICATION SPEC - WEIGHT -		tyco Electronics Tyco Electronics Corporation Harrisburg, PA 17105-3608 NAME OSM BULKHEAD FEEDTHROUGH JACK TO JACK ADAPTER		SIZE A3 CAGE CODE 00779 DRAWING NO. C-1054869 RESTRICTED TO -	
CUSTOMER DRAWING						SCALE 5:1		SHEET 1 of 1		REV B	