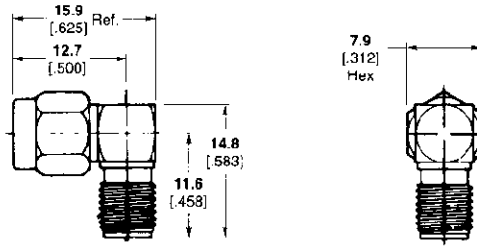
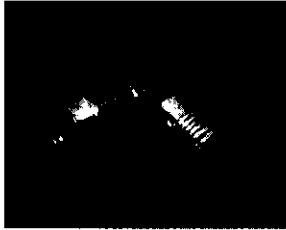


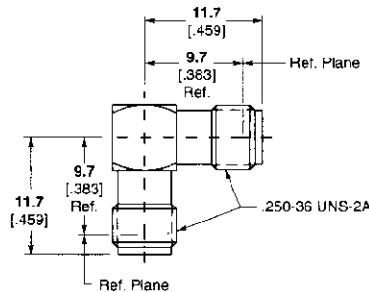
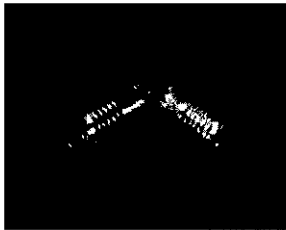
SMA Connectors (Continued)

**In-Series Adapter,
Jack to Plug, Right Angle**



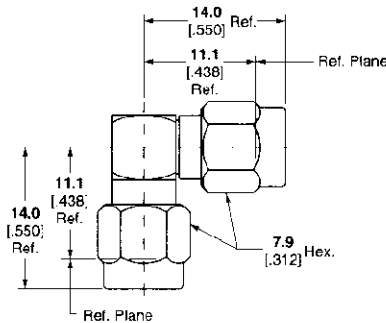
Frequency	Material & Finish	Captivation	M/A-COM Model No.	Part No.
DC-12.4GHz	Stainless, Passivated	Mechanical	2088-0000-02	1055065-1

**In-Series Adapter,
Jack to Jack, Right Angle**



Frequency	Material & Finish	Captivation	M/A-COM Model No.	Part No.
DC-12.4GHz	Stainless, Passivated	Mechanical	2086-0000-02	1055018-1

**In-Series Adapter,
Plug to Plug, Right Angle**



Frequency	Material & Finish	Captivation	M/A-COM Model No.	Part No.
DC-18.0GHz	Stainless, Passivated	Mechanical	2087-1230-02	1055047-1