



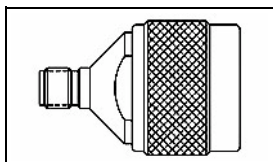
Have a Question?
Chat with a Product
Information Specialist

What can we help you find?

[Products](#) [Industries](#) [Resources](#) [About TE](#) [My Account](#) [Innovation](#) [Support Center](#)

1057377-1 Product Details

[Share](#) [Print](#) [Email](#)



1057377-1

TE Internal Number: 1057377-1

Active

[View 3D PDF](#)

Between Series Adapters, RF Connectors

Always EU RoHS/ELV Compliant (Statement of Compliance)

Product Highlights:

- Plug-Jack
- Adapter Type = SMA - N Series
- RoHS compliant, ELV compliant
- Lead Free Solder Processes = Not relevant for lead free process

[View all Features](#)

Quick Links

- ▶ [Pricing & Availability](#)
- ▶ [Search for Tooling](#)
- ▶ [Product Feature Selector](#)
- ▶ [Contact Us About This Product](#)

[Add to My Part List](#) [Request Sample](#) [Find Similar Products](#) [Buy Product](#)

Documentation & Additional Information	
<p>Product Drawings:</p> <ul style="list-style-type: none"> • TYPE N PLUG TO SMA JACK ADAPTER (PDF, English) <p>Catalog Pages/Data Sheets:</p> <ul style="list-style-type: none"> • RF Between Series Adapters (PDF, English) <p>Product Specifications:</p> <ul style="list-style-type: none"> • None Available <p>Application Specifications:</p> <ul style="list-style-type: none"> • None Available <p>Instruction Sheets:</p> <ul style="list-style-type: none"> • None Available <p>CAD Files: (CAD Format & Compression Information)</p> <ul style="list-style-type: none"> • 2D Drawing (DXF, Version C) • 3D Model (IGES, Version C) • 3D Model (STEP, Version C) 	<p>Related Products:</p> <ul style="list-style-type: none"> • Tooling

[List all Documents](#)

Product Features (Please use the Product Drawing for all design activity)	
<p>Product Type Features:</p> <ul style="list-style-type: none"> • Gender = Plug-Jack • Adapter Type = SMA - N Series • Dielectric Material = TFE Fluorocarbon <p>Body Features:</p> <ul style="list-style-type: none"> • Material = Stainless Steel • Retaining Ring Material = Beryllium Copper • Gasket Material = Silicone Rubber 	<p>Contact Features:</p> <ul style="list-style-type: none"> • Center Contact Material = Beryllium Copper • Center Contact Plating = Gold <p>Industry Standards:</p> <ul style="list-style-type: none"> • RoHS/ELV Compliance = RoHS compliant, ELV compliant • Lead Free Solder Processes = Not relevant for lead free process • RoHS/ELV Compliance History = Always was RoHS compliant <p>Other:</p> <ul style="list-style-type: none"> • Brand = AMP

Corporate Information

- [About TE](#)
- [Investors](#)
- [News Room](#)
- [Supplier Portal](#)
- [Careers](#)
- [Terms & Conditions](#)
- [Privacy Policy](#)

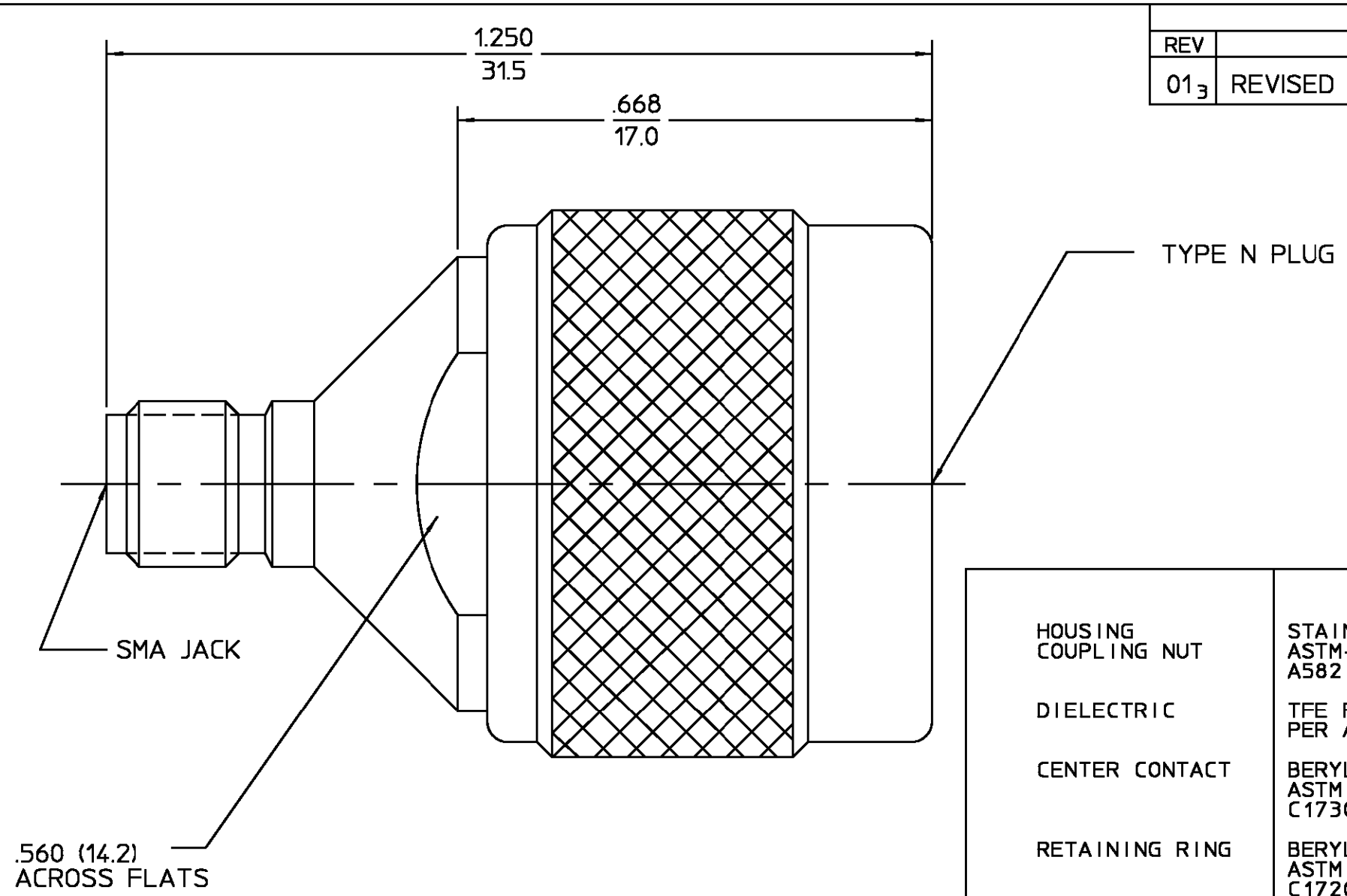
Quick Links

- [Distributor Inventory](#)
- [Product Cross Reference](#)
- [Documents & Drawings](#)
- [Product Compliance Support Center](#)
- [Site Map](#)

Customer Support

- [Email or Chat With Us](#)
- [Find a Phone Number](#)
- [Knowledge Base](#)
- [Manage Your Account](#)

Keep Me Informed



REVISIONS			
REV	DESCRIPTION	DATE	APPROVED
01 ₃	REVISED	DM 9/13/99	<i>DM</i> 9/20/99

HOUSING COUPLING NUT	STAINLESS STEEL PER ASTM-A484 AND ASTM- A582, TYPE 303	PASSIVATE PER ASTM-A380
DIELECTRIC	TFE FLUOROCARBON PER ASTM-D-1457	N/A
CENTER CONTACT	BERYLLIUM COPPER PER ASTM B 196, ALLOY C17300, CONDITION H	GOLD PLATE PER MIL-G-45204
RETAINING RING	BERYLLIUM COPPER PER ASTM B 194, ALLOY C17200, CONDITION H	N/A
GASKET	SILICONE RUBBER PER ZZ-R-765	N/A

COMPONENT	MATERIAL	FINISH
-----------	----------	--------

UNLESS OTHERWISE SPECIFIED DIMENSIONS ARE IN INCHES TOLERANCE ON FRAC. DEC. ANGLES ± 1/64 ±.005 ± °	DRAWN BY RBG	DATE 6/4/77	AMP Incorporated 140 Fourth Avenue Waltham, MA 02451-7599
	CHECKED BY KWW	6/4/77	
	APPRD BY RMF	6/4/77	

- NOTES:
- CAPTURED CENTER CONTACT
 - VSWR: DC-12.4GHz :1.06+.005fGHz MAX
12.4-18.0GHz : 0.83+.023fGHz MAX

These drawings and specifications are the property of AMP Interconnect Division and shall not be reproduced or copied or used in whole or in part as the basis for the manufacture or sale of item(s) without written permission.	USE ASSY PROCEDURE	TITLE TYPE N PLUG TO SMA JACK ADAPTER		
	NO. A.P. _____	SIZE B	CODE IDENT NO. 26805	3082-2240-00
		SCALE 5:1		REV 01 ₃

CUSTOMER DRAWING

AMP PART # 1057377-1
SHEET 1 OF 1 REV A