

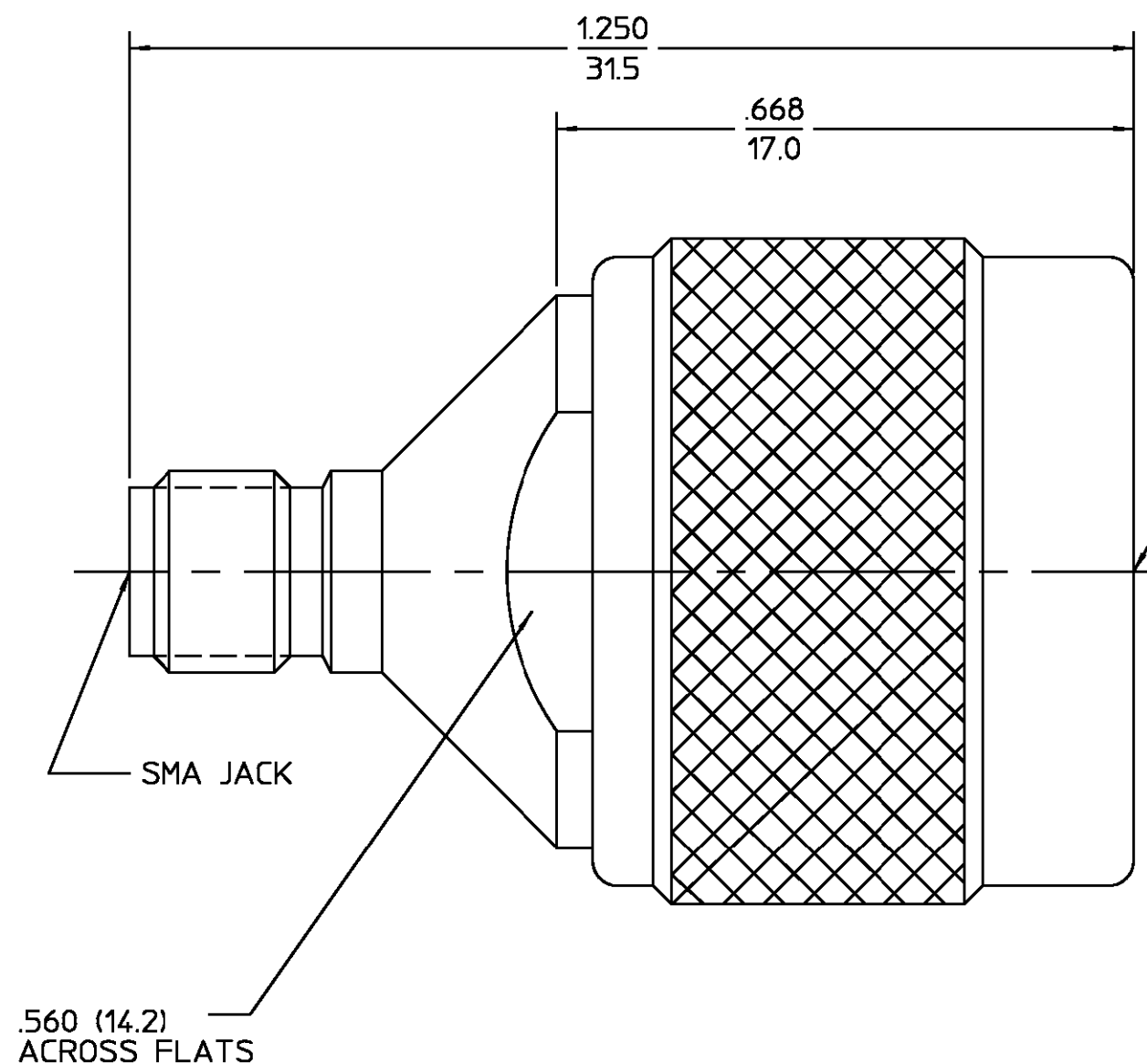
Distributed by:

**JAMECO**<sup>®</sup>  
ELECTRONICS

**www.Jameco.com ♦ 1-800-831-4242**

The content and copyrights of the attached  
material are the property of its owner.

Jameco Part Number 739438



REVISIONS			
REV	DESCRIPTION	DATE	APPROVED
01 <sub>3</sub>	REVISED	DM 9/13/99	<i>DM</i> 9/20/99

HOUSING COUPLING NUT	STAINLESS STEEL PER ASTM-A484 AND ASTM- A582, TYPE 303	PASSIVATE PER ASTM-A380
DIELECTRIC	TFE FLUOROCARBON PER ASTM-D-1457	N/A
CENTER CONTACT	BERYLLIUM COPPER PER ASTM B 196, ALLOY C17300, CONDITION H	GOLD PLATE PER MIL-G-45204
RETAINING RING	BERYLLIUM COPPER PER ASTM B 194, ALLOY C17200, CONDITION H	N/A
GASKET	SILICONE RUBBER PER ZZ-R-765	N/A

COMPONENT	MATERIAL	FINISH
-----------	----------	--------

<small>UNLESS OTHERWISE SPECIFIED DIMENSIONS ARE IN INCHES TOLERANCE ON</small> <small>FRAC. DEC. ANGLES</small> <small>± 1/64 ±.005 ± 1°</small>	<small>DRAWN BY</small> <b>RBG</b> <small>DATE</small> <b>6/4/77</b>	<b>AMP</b> AMP Incorporated 140 Fourth Avenue Waltham, MA 02451-7599
	<small>CHECKED BY</small> <b>KWW</b> <small>DATE</small> <b>6/4/77</b>	
	<small>APPROVED BY</small> <b>RMF</b> <small>DATE</small> <b>6/4/77</b>	

- NOTES:
- CAPTURED CENTER CONTACT
  - VSWR: DC-12.4GHz :1.06+.005fGHz MAX  
12.4-18.0GHz : 0.83+.023fGHz MAX

<small>These drawings and specifications are the property of AMP Interconnect Division and shall not be reproduced or copied or used in whole or in part as the basis for the manufacture or sale of item(s) without written permission.</small>	<small>USE ASSY PROCEDURE</small>  <small>NO. A.P.</small> _____	<small>TITLE</small> <b>TYPE N PLUG TO SMA JACK ADAPTER</b>	
	<small>SIZE</small> <b>B</b>	<small>CODE IDENT NO.</small> <b>26805</b>	<small>REV</small> <b>01<sub>3</sub></b>
	<small>SCALE</small> 5:1	<b>3082-2240-00</b>	<small>SHEET 1 OF 1</small>

CUSTOMER DRAWING

AMP PART # 1057377-1  
SHEET 1 OF 1 REV A