

Distributed by:

JAMECO[®]
ELECTRONICS

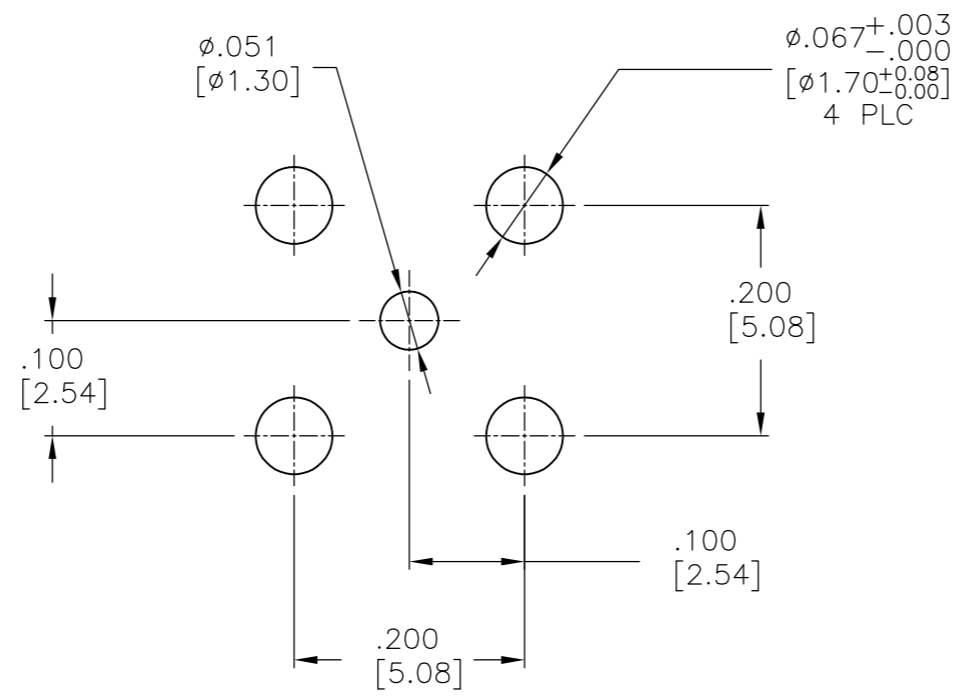
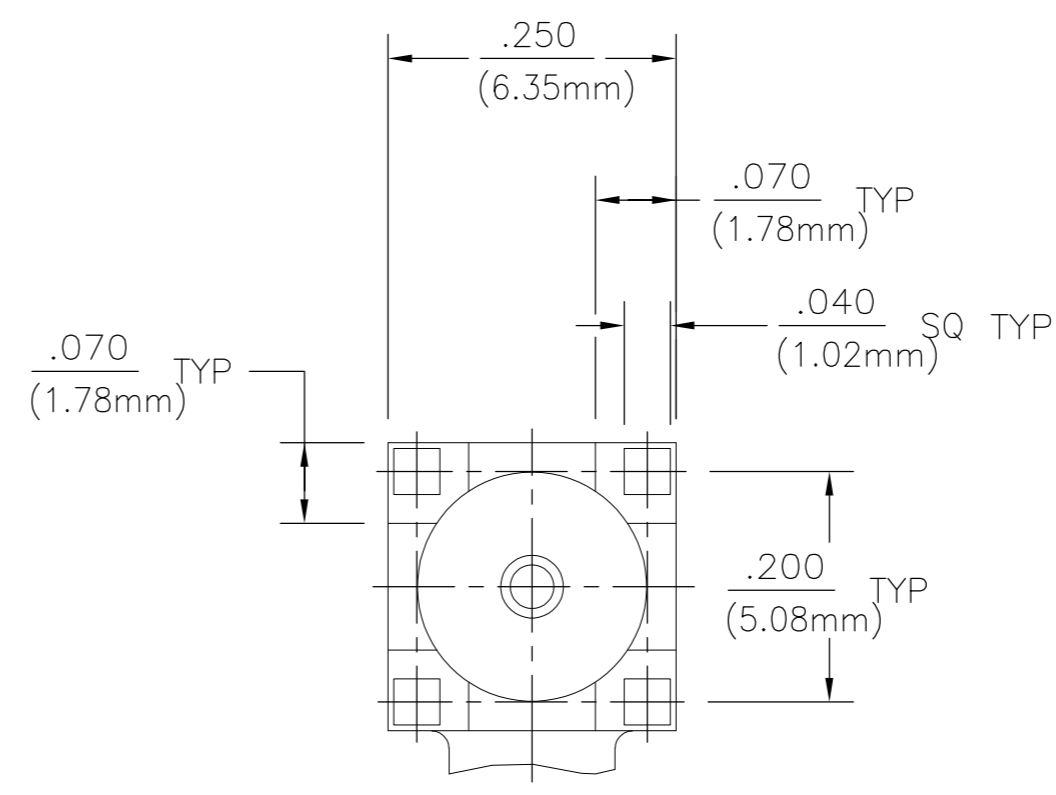
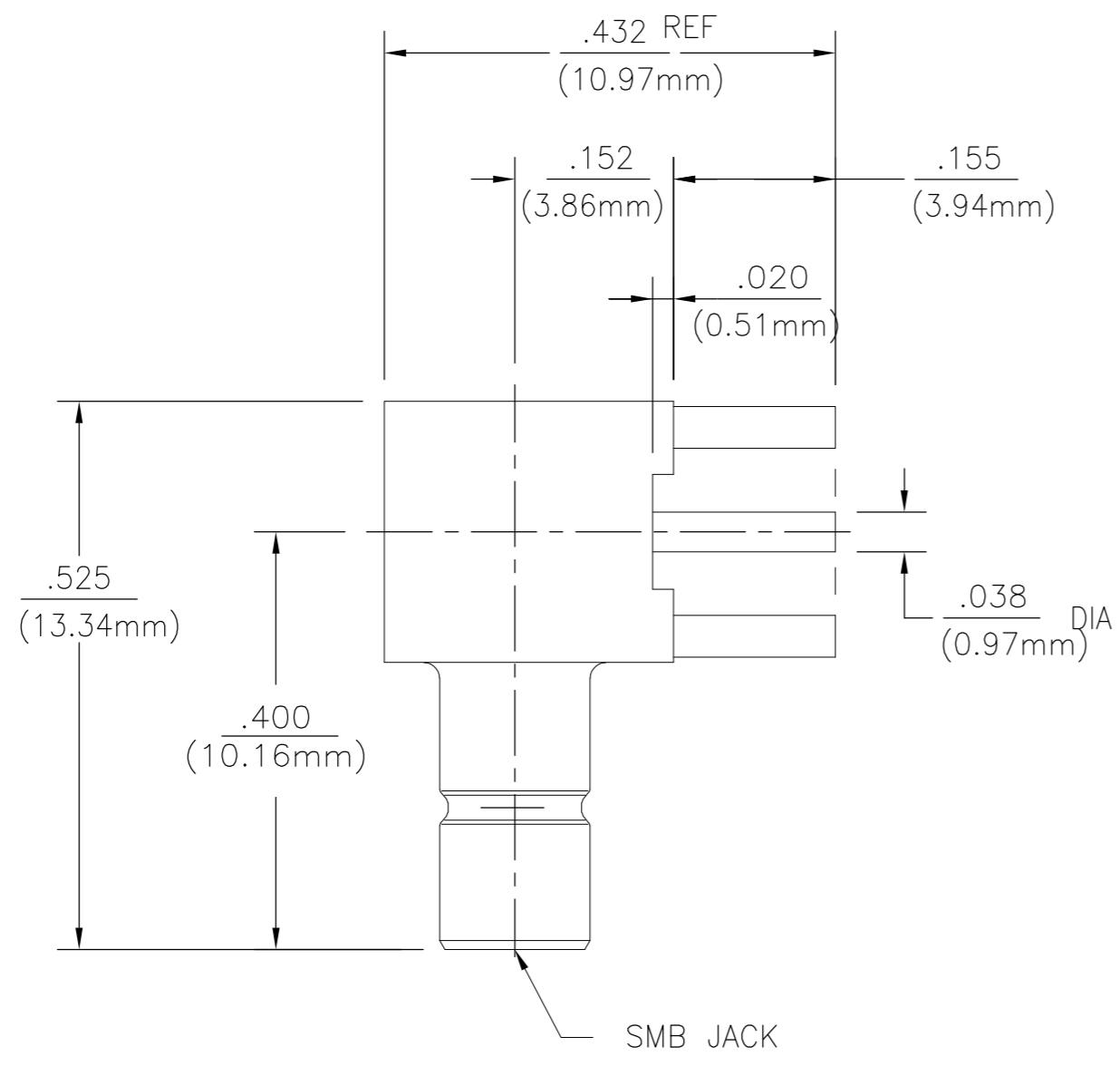
www.Jameco.com ♦ 1-800-831-4242

The content and copyrights of the attached
material are the property of its owner.

Jameco Part Number 1961321

THIS DRAWING IS UNPUBLISHED. RELEASED FOR PUBLICATION
 © COPYRIGHT BY TYCO ELECTRONICS CORPORATION. ALL INTERNATIONAL RIGHTS RESERVED.

Loc		DIST		REVISIONS					
AJ		16		P	LTR	DESCRIPTION	DATE	DWN	APVD
				D		REV PER ECO 08-031174	30DEC2008	DW	JL



RECOMMENDED PCB LAYOUT

1060464-1		PART NUMBER	
HOUSING, CAP & CENTER CONTACT	BRASS PER ASTM-B-16, HALF HARD	GOLD PLATE PER MIL-G-45204	
DIELECTRIC	PTFE FLUOROCARBON PER ASTM-D-1457	N/A	
COMPONENT	MATERIAL	FINISH	

THIS DRAWING IS A CONTROLLED DOCUMENT.		DWN	J. HAVENER	25JUL2002	Tyco Electronics Corporation Harrisburg, PA 17105-3608			
DIMENSIONS: INCHES [mm]		CHK	J. HAVENER	25JUL2002	NAME			
TOLERANCES UNLESS OTHERWISE SPECIFIED:		APVD	K. WEIDNER	25JUL2002	SMB RIGHT ANGLE PRINTED CIRCUIT BOARD JACK (5164-5003-09)			
0 PLC ± -		PRODUCT SPEC		SIZE		CAGE CODE	DRAWING NO	RESTRICTED TO
1 PLC ± -		APPLICATION SPEC		A2		00779	C=1060464-1	-
2 PLC ± -		WEIGHT		SCALE		SHEET		REV
3 PLC ± .005 [0.13]		-		6:1		1 of 1		D
4 PLC ± -		CUSTOMER DRAWING						
ANGLES ± 1°								
FINISH								
SEE TABLE								

1060464-1