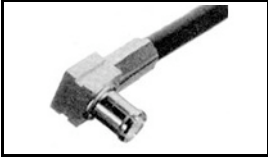


1060891-1 Product Details

[Share](#) [Print](#) [Email](#)




1060891-1

TE Internal Number: 1060891-1

 Active

[View 3D PDF](#)

MCX (OSX) RF Connectors

 Always EU RoHS/ELV Compliant
(Statement of Compliance)

Product Highlights:

- Connector - RF
- Plug
- Body Style = Right Angle
- Applies To Cable
- Coaxial Cable Termination Type = Crimp

[View all Features](#)

Quick Links

- ▶ [Pricing & Availability](#)
- ▶ [Search for Tooling](#)
- ▶ [Product Feature Selector](#)
- ▶ [Contact Us About This Product](#)

[Add to My Part List](#)

[Request Sample](#)

[Find Similar Products](#)

[Buy Product](#)

Documentation & Additional Information

Product Drawings:

- [MCX RIGHT ANGLE CABLE PLUG CRIMP ATTACHMENT \(5837-50...](#) (PDF, English)

Catalog Pages/Data Sheets:

- None Available

Product Specifications:

- None Available

Application Specifications:

- None Available

Instruction Sheets:

- [MCX Right-Angle Cable Plug 1060891-1](#) (PDF, English)

CAD Files: (CAD Format & Compression Information)

- [2D Drawing](#) (DXF, Version A)
- [3D Model](#) (IGES, Version A)
- [3D Model](#) (STEP, Version A)

[List all Documents](#)

Related Products:

- [Tooling](#)

Product Features (Please use the Product Drawing for all design activity)

Product Type Features:

- [Product Type](#) = Connector - RF
- Gender = Plug
- [PCB Mount Retention](#) = Without
- Connector Family = OSX
- Dielectric Material = PTFE Fluorocarbon

Mechanical Attachment:

- [Panel Mount Retention](#) = Without

Electrical Characteristics:

- Connector Impedance (Ω) = 50

Termination Features:

- [Coaxial Cable Termination Type](#) = Crimp

Body Features:

- [Body Style](#) = Right Angle

Contact Features:

- Center Contact Plating = Gold
- Center Contact Material = Beryllium Copper

Configuration Features:

- [Coaxial Cable Type \(RG/U or Mfg.\)](#) = 174, 179, 187, 188, 316, Junkosha A1280426

Industry Standards:

- [RoHS/ELV Compliance](#) = RoHS compliant, ELV compliant
- [Lead Free Solder Processes](#) = Not relevant for lead free process
- RoHS/ELV Compliance History = Always was RoHS compliant

Conditions for Usage:

- [Applies To](#) = Cable

- Body Plating = Nickel
- Body Material = Brass

Other:

- Brand = AMP

Corporate Information

- [About TE](#)
- [Investors](#)
- [News Room](#)
- [Supplier Portal](#)
- [Careers](#)
- [Terms & Conditions](#)
- [Privacy Policy](#)

Quick Links

- [Distributor Inventory](#)
- [Product Cross Reference](#)
- [Documents & Drawings](#)
- [Product Compliance Support Center](#)
- [Site Map](#)

Customer Support

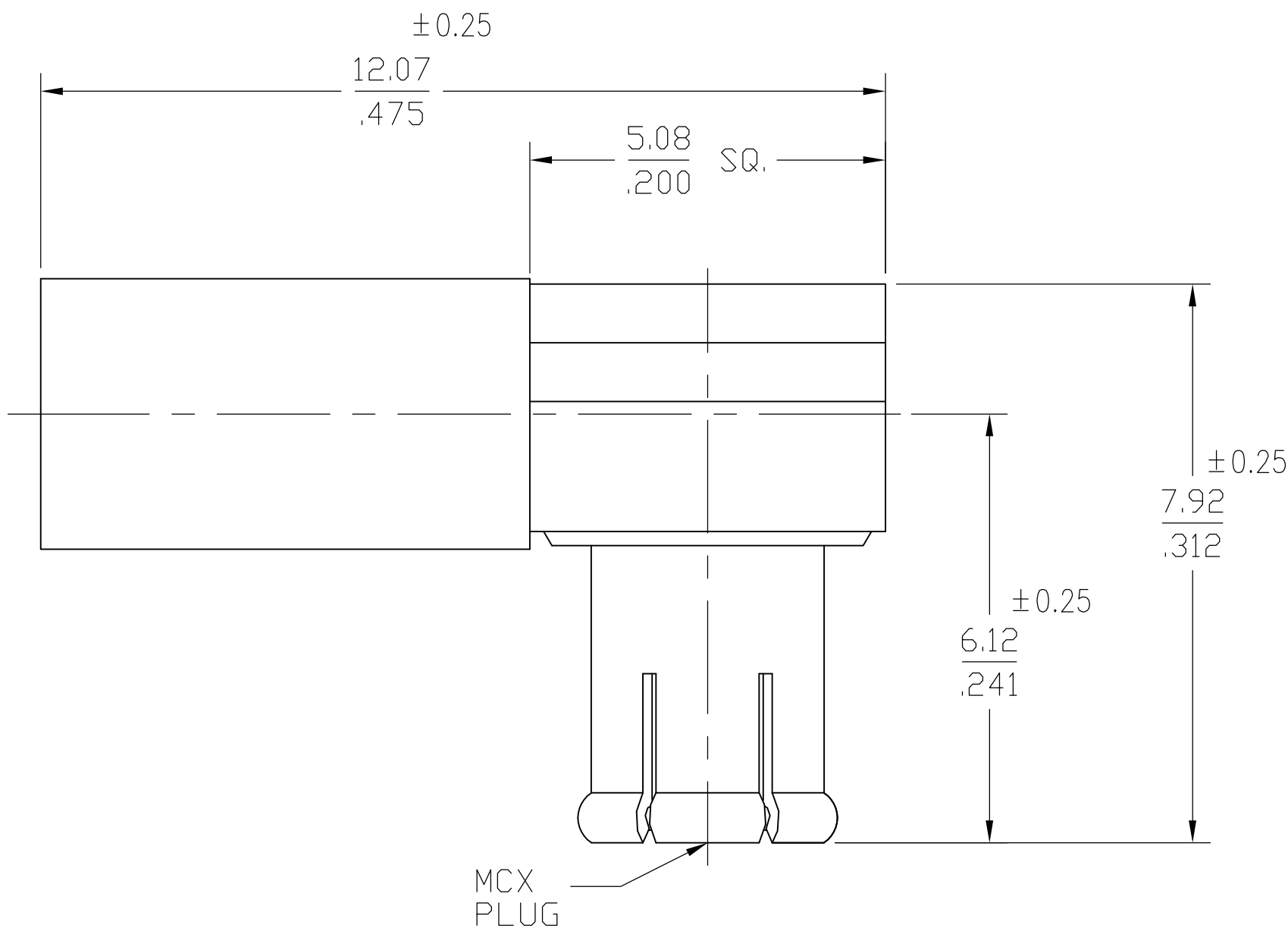
- [Email or Chat With Us](#)
- [Find a Phone Number](#)
- [Knowledge Base](#)
- [Manage Your Account](#)

Keep Me Informed



THIS DRAWING IS UNPUBLISHED. RELEASED FOR PUBLICATION
 © COPYRIGHT - By - ALL RIGHTS RESERVED.

LOC	DIST	REVISIONS			
P	LTR	DESCRIPTION	DATE	DWN	APVD
AJ	00	B2	REVISED PER ECO-13-000860	08JUN13	G.G M.Y



1. SEE INSTRUCTION SHEET
408-4633

1060891-1
PART NUMBER

DESIGNED FOR USE WITH RG-174/U, RG-188/U, RG-316/U, RG-179/U RG-187/U FLEX CABLE & JUNKOSHA CABLE A12B0426	
CABLE ENTRY DIAMETER MINIMUM	
CONTACT	.024 SLOT
HOUSING	.067
FERRULE	.125

XX.X = mm
.XXX = in.

ELECTRICAL	MECHANICAL	ENVIRONMENTAL
Nominal Impedance (Ohms) <u>50</u>	Force to Engage (lbs MAX)	TEMPERATURE RATING <u>-65° TO +165°C</u>
Frequency Range (GHz) DC to 6	<u>3.4</u>	Vibration MIL-STD-202, Method
Volt Rating (VRMS MAX)	& Disengage (lbs) <u>1.77 MIN 4.5 MAX</u>	<u>204, Condition B</u>
@ Sea Level <u>335</u>	Center Contact Captivation Designed to	Thermal Shock MIL-STD-202,
VSWR <u>1.25 MAX @ 4 GHz</u>	Maintain MCX Interface When Mating	Method 102, Condition B
<u>1.35 MAX @ 6 GHz</u>		Moisture Resistance MIL-STD-202,
Insertion Loss .1dB MAX/1000 MHz		Method 106D,10 Cycles, 96 Hours
Corona, 70,000 Ft (VRMS MIN) <u>250</u>		Corrosion - MIL-STD-202, Method
Dielectric Withstanding Voltage		<u>101, Condition B</u>
(VRMS MIN) @ Sea Level <u>1000</u>		
Contact Resistance (Milliohms MAX)		
Center Contact <u>5.0</u>		
Outer Contact <u>1.0</u>		
Cable to Housing <u>1.0</u>		
RF High Potential @ Sea Level		
(VRMS MIN @ 5 MHz) <u>670</u>		
I.R.(Megohms MIN) <u>10,000</u>		

COMPONENT	MATERIAL	FINISH
HOUSING CAP	BRASS PER ASTM-B-16, HALF HARD	NICKEL PLATE PER QQ-N-290
CENTER CONTACT	BRASS PER ASTM-B-16, HALF HARD	GOLD PLATE PER MIL-G-45204
DIELECTRIC	PTFE FLUOROCARBON PER ASTM-D-1457	N/A
CONTACT FINGERS	BERYLLIUM COPPER PER ASTM-B-196 OR ASTM-B-197, ALLOY C17300, CONDITION H	GOLD PLATE PER MIL-G-45204
FERRULE	COPPER OR BRASS ALLOY ROCKWELL F65 MAXIMUM	NICKEL PLATE PER QQ-N-290

THIS DRAWING IS A CONTROLLED DOCUMENT.		DWN K.C.MAHER 2/20/91	TE Connectivity
DIMENSIONS: mm [INCHES]		CHK BB 2/21/91	
TOLERANCES UNLESS OTHERWISE SPECIFIED:		APVD D.R.L. 2/21/91	
0 PLC ± - 1 PLC ± - 2 PLC ± 0.12[.005] 3 PLC ± - 4 PLC ± - ANGLES ± 1°		NAME MCX RIGHT ANGLE CABLE PLUG CRIMP ATTACHMENT (5837-5003-10)	
MATERIAL	FINISH	WEIGHT	SIZE A2
-	-	-	CAGE CODE 00779
CUSTOMER DRAWING		SCALE 1:1	DRAWING NO C=1060891-1
		SHEET 1 of 1	RESTRICTED TO -
		REV B2	