

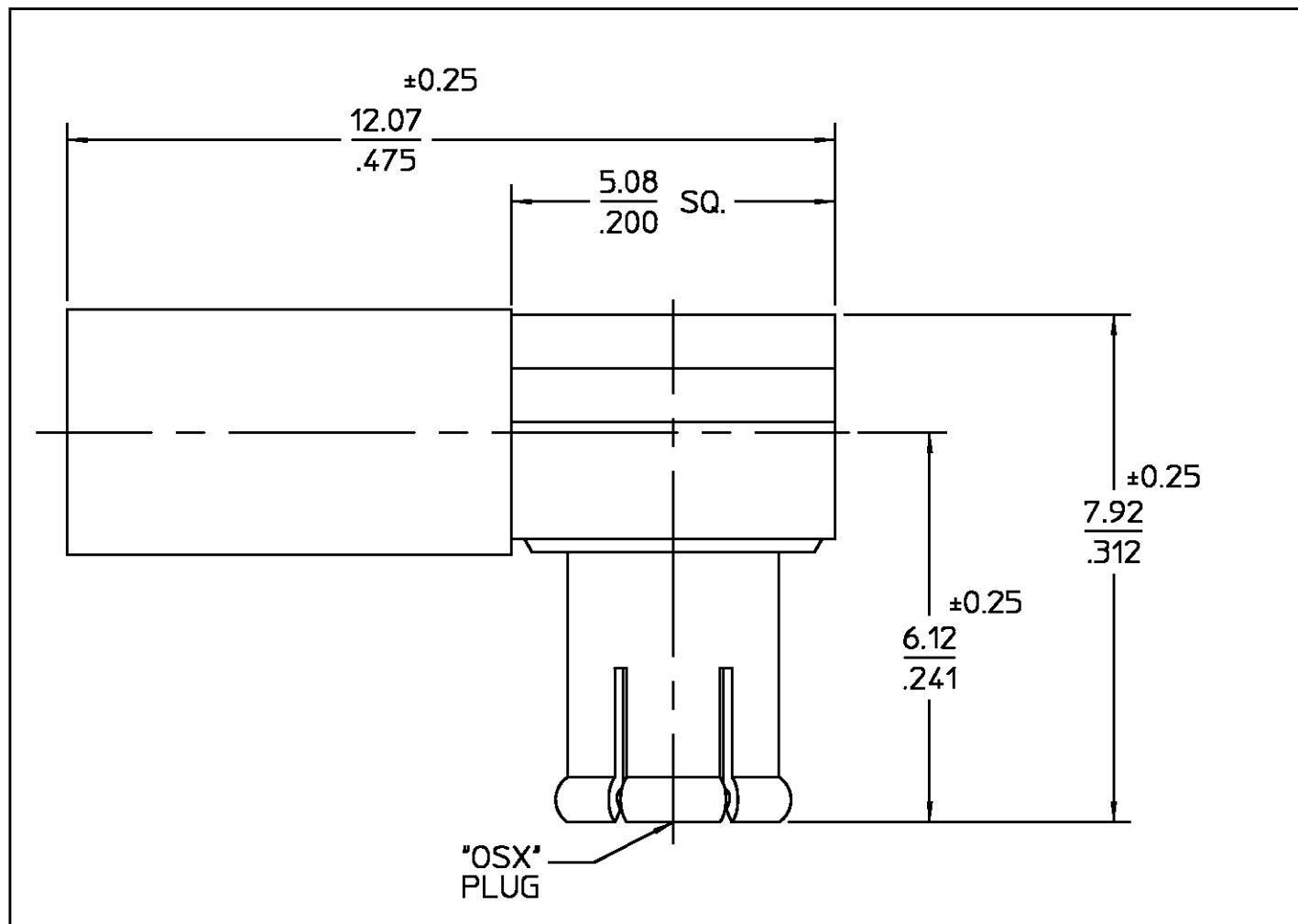
Distributed by:

JAMECO[®]
ELECTRONICS

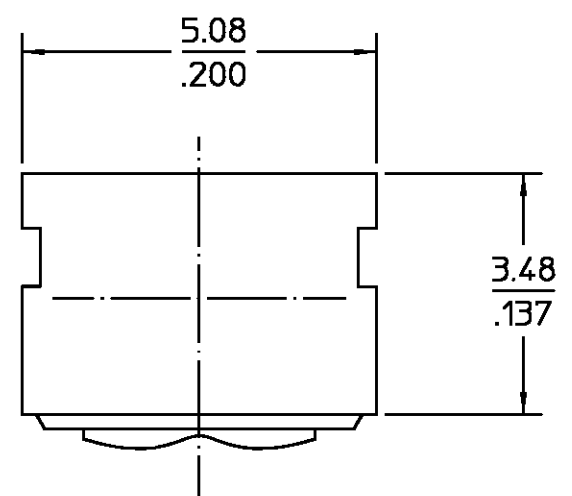
www.Jameco.com ♦ 1-800-831-4242

The content and copyrights of the attached
material are the property of its owner.

Jameco Part Number 748318



REVISIONS			
REV	DESCRIPTION	DATE	APPROVED
04 ₀	REVISED	9-12-97	KYLE



DESIGNED FOR USE WITH RG-174/U, RG-188/U, RG-316/U, RG-179/U RG-187/U FLEX CABLE & JUNKOSHA CABLE A12B0426	
CABLE ENTRY DIAMETER MINIMUM	
CONTACT	.024 SLOT
HOUSING	.067
FERRULE	.125

XX.X = mm
.XXX = in.

ELECTRICAL	MECHANICAL	ENVIRONMENTAL
Nominal Impedance (Ohms) <u>50</u>	Force to Engage (lbs MAX) <u>3.4</u>	Temperature Rating <u>-65° to +165°C</u>
Frequency Range (GHz) <u>DC to 6</u>	& Disengage (lbs) <u>1.77 MIN 4.5 MAX</u>	Vibration MIL-STD-202, Method <u>204, Condition B</u>
Volt Rating (VRMS MAX) <u>335</u>	Center Contact Captivation Designed to <u>Maintain OSX Interface When Mating</u>	Thermal Shock MIL-STD-202, Method <u>102, Condition B</u>
Sea Level <u>335</u>		Moisture Resistance MIL-STD-202, Method <u>106D, 10 Cycles, 96 Hours</u>
VSWR <u>1.25 MAX @ 4 GHz</u>		Corrosion - MIL-STD-202, Method <u>101, Condition B</u>
<u>1.35 MAX @ 6 GHz</u>		
Insertion Loss <u>.1dB MAX/1000 MHz</u>		
Corona, 70,000 Ft (VRMS MIN) <u>250</u>		
Dielectric Withstanding Voltage (VRMS MIN) @ Sea Level <u>1000</u>		
Contact Resistance (Milliohms MAX) Center Contact <u>5.0</u>		
Outer Contact <u>1.0</u>		
Cable to Housing <u>1.0</u>		
RF High Potential @ Sea Level (VRMS MIN @ 5 MHz) <u>670</u>		
I.R.(Megohms MIN) <u>10,000</u>		

COMPONENT	MATERIAL	FINISH
HOUSING CAP	BRASS PER ASTM-B-16, HALF HARD	NICKEL PLATE PER QQ-N-290
DIELECTRIC	PTFE FLUOROCARBON PER ASTM-D-1457	N/A
CENTER CONTACT CONTACT FINGERS	BERYLLIUM COPPER PER ASTM-B-196 OR ASTM-B-197, ALLOY C17300, CONDITION H	GOLD PLATE PER MIL-G-45204
FERRULE	COPPER OR BRASS ALLOY ROCKWELL F65 MAXIMUM	NICKEL PLATE PER QQ-N-290

UNLESS OTHERWISE SPECIFIED DIMENSIONS ARE IN MILLIMETERS	DRAWN BY <u>K.C.MAHER</u> DATE <u>2/20/91</u>	AMP Incorporated 140 Fourth Avenue Waltham, MA 02451-7599
TOLERANCE ON DEC ANGLES	CHECKED BY <u>BB</u> DATE <u>2/21/91</u>	
<u>±0.12</u> ± 1°	APPRD BY <u>QR</u> DATE <u>2/21/91</u>	
These drawings and specifications are the property of M/A-COM Interconnect Division and shall not be reproduced or copied or used in whole or in part as the basis for the manufacture or sale of item(s) without written permission.	USE ASS'Y PROCEDURE	TITLE <u>OSX RIGHT ANGLE CABLE PLUG CRIMP ATTACHMENT</u>
	408-04633	SIZE <u>B</u> CODE IDENT NO. <u>26805</u> 5837-5003-10
	NO. AP. <u>(58-002)</u>	REV <u>04₀</u>
		SCALE <u>10:1</u> SHEET 1 OF 1