

# EC Series



UL Recognized  
CSA Certified  
VDE Approved

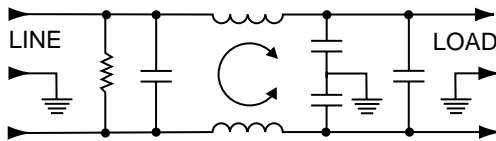


## EC Series

The EC series RFI power line filters provide the highest attenuation of any standard filter available in a package size limited by the dimensions of the integral IEC connector. These filters combine high common-mode inductance with high differential-mode capacitance and minimal parasitic elements, for effective attenuation of line-to-ground and line-to-line noise across the frequency range.

Performance and applications are similar to those of the ED series, but with higher differential-mode performance in most applications, due to an additional capacitor on the load side.

## Electrical Schematic



Resistor location for reference only.

## Specifications

**Maximum leakage current, each line-to-ground**  
 @ 120 VAC 60 Hz: .22 mA  
 @ 250 VAC 50 Hz: .38 mA

**Hipot rating (one minute):**  
 line-to-ground: 1500 VAC  
 line-to-line: 1450 VDC

**Operating frequency:** 50/60 Hz

**Rated voltage (max.):** 250 VAC

### Minimum insertion loss in dB:

Line-to-ground in 50 ohm circuit

Current Rating	Frequency-MHz					
	.15	.5	1	5	10	30
1A	25	35	40	50	50	50
3A	20	30	37	47	48	50
6A	15	22	25	40	45	50
10A	7	14	20	35	39	48

Line-to-line in 50 ohm circuit

Current Rating	Frequency-MHz						
	.15	.5	1	5	10	20	30
<b>EC1, EC2, EC8</b>							
1A	5	35	50	60	60	40	40
3A	5	25	45	60	55	34	34
6A	10	10	40	65	60	40	40
10A	10	10	27	65	56	38	38

### EC4

1A	5	35	50	60	60	33	33
3A	5	30	45	60	55	34	34
6A	10	10	40	65	60	33	33

## Line Cord

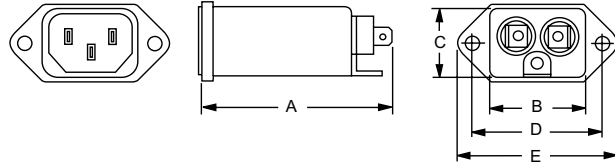
Line Cord No. GA400:

7 1/2 foot, 3-conductor line cord to mate with EC series.

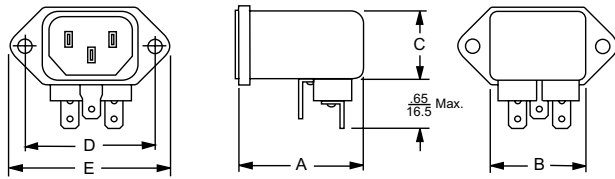
# EC Series

## Case Styles

### EC1



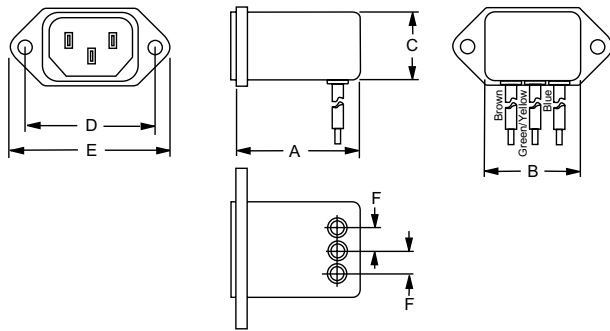
### EC2



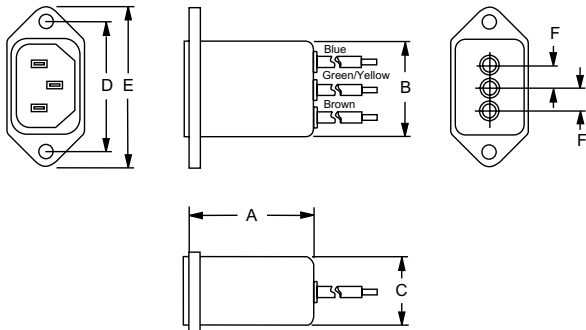
Typical dimensions:  
Terminals: .250 [6.35] (3)  
Slot: .07 x .16 [1.8 x 4.1]

Holes: .07 [1.8] Dia.(2)

### EC4



### EC8



Typical dimensions:  
Wire Leads: 4.0 [101.6] Min. 18 AWG

Mounting holes: .132 [3.35] Dia. (2)

## Case Dimensions

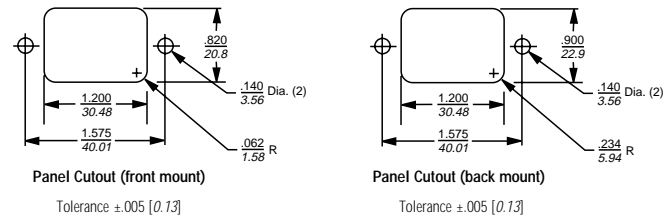
Part No.	A (max)	B (max)	C (max)	D $\pm .015$ $\pm .38$	E (max)	F (ref)
1EC1	<b>2.62</b> 66.5	<b>1.19</b> 30.2	<b>0.81</b> 20.6	<b>1.575</b> 40.01	<b>1.98</b> 50.3	—
1EC2	<b>1.97</b> 50.0	<b>1.19</b> 30.2	<b>0.85</b> 21.6	<b>1.575</b> 40.01	<b>1.98</b> 50.3	—
1EC4	<b>1.97</b> 50.0	<b>1.19</b> 30.2	<b>0.85</b> 21.6	<b>1.575</b> 40.01	<b>1.98</b> 50.3	<b>.295</b> 7.5
1EC8	<b>1.98</b> 50.3	<b>1.19</b> 30.2	<b>0.81</b> 20.6	<b>1.575</b> 40.01	<b>1.98</b> 50.3	<b>.295</b> 7.5
3EC1	<b>2.62</b> 66.5	<b>1.19</b> 30.2	<b>0.81</b> 20.6	<b>1.575</b> 40.01	<b>1.98</b> 50.3	—
3EC2	<b>1.97</b> 50.0	<b>1.19</b> 30.2	<b>0.85</b> 21.6	<b>1.575</b> 40.01	<b>1.98</b> 50.3	—
3EC4	<b>1.97</b> 50.0	<b>1.19</b> 30.2	<b>0.85</b> 21.6	<b>1.575</b> 40.01	<b>1.98</b> 50.3	<b>.295</b> 7.5
3EC8	<b>1.98</b> 50.3	<b>1.19</b> 30.2	<b>0.81</b> 20.6	<b>1.575</b> 40.01	<b>1.98</b> 50.3	<b>.295</b> 7.5
6EC1	<b>2.62</b> 66.5	<b>1.19</b> 30.2	<b>0.81</b> 20.6	<b>1.575</b> 40.01	<b>1.98</b> 50.3	—
6EC2	<b>1.97</b> 50.0	<b>1.19</b> 30.2	<b>0.85</b> 21.6	<b>1.575</b> 40.01	<b>1.98</b> 50.3	—
6EC4	<b>1.97</b> 50.0	<b>1.19</b> 30.2	<b>0.85</b> 21.6	<b>1.575</b> 40.01	<b>1.98</b> 50.3	<b>.295</b> 7.5
6EC8	<b>1.98</b> 50.3	<b>1.19</b> 30.2	<b>0.81</b> 20.6	<b>1.575</b> 40.01	<b>1.98</b> 50.3	<b>.295</b> 7.5
10EC1	<b>2.62</b> 66.5	<b>1.19</b> 30.2	<b>0.81</b> 20.6	<b>1.575</b> 40.01	<b>1.98</b> 50.3	—

## Part Numbers

1EC1	6EC1
1EC2	6EC2
1EC4	6EC4
1EC8	6EC8
3EC1	10EC1
3EC2	
3EC4	
3EC8	

Line Cord No.	GA400
Insulating Boot No.	FA601

## Recommended Panel Cutouts



Note 1: EC1 and EC8 allow front or back mounting.  
Note 2: EC2 and EC4 allow back mounting only.