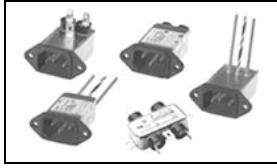


## 10EH4 Product Details



**10EH4**

TE Internal Number: 6609013-5



Active

### EMI/RFI Filters and Accessories

 Always EU RoHS/ELV Compliant (Statement of Compliance)

#### Product Highlights:

- Filter - EMI/RFI
- Filter Type = Power Line
- H (3-15 Amp) Series
- Medical Application
- Mount Style = Flanged

### Documentation & Additional Information

#### Product Drawings:

- [Customer Drawing 10EH4](#) (PDF, English)

#### Catalog Pages/Data Sheets:

- [1654001\\_CORCOM\\_PRODUCT\\_GUIDE\\_H\\_SERIES](#) (PDF, English)

#### Product Specifications:

- None Available

#### Application Specifications:

- None Available

#### Instruction Sheets:

- None Available

#### CAD Files: ([CAD Format & Compression Information](#))

- [2D Drawing](#) (DXF, Version 3)
- [3D Model](#) (IGES, Version 3)
- [3D Model](#) (STEP, Version 3)

#### Additional Information:

- [Product Line Information](#)

#### Additional Product Images:

- [Insertion Loss/Specifications](#)

#### Related Products:

- [Tooling](#)

### Product Features (Please use the Product Drawing for all design activity)

#### Product Type Features:

- [Product Type](#) = Filter - EMI/RFI
- [Filter Type](#) = Power Line
- [Series](#) = H (3-15 Amp)
- [Ground Choke Option](#) = Without
- [Filtered](#) = Yes
- [Ground Option](#) = None

#### Electrical Characteristics:

- [Current Rating \(A\)](#) = 10
- [Voltage  \$\leq\$  \(VAC\)](#) = 250
- [Leakage Current \(Line-to-Ground\) Max. @ 120 VAC 60 Hz \( \$\mu\$ A\)](#) = 2
- [Leakage Current \(Line-to-Ground\) Max. @ 250 VAC 50 Hz \( \$\mu\$ A\)](#) = 5

#### Termination Features:

- [Terminal Input - Output Combination](#) = IEC - 1/4" Faston

#### Body Features:

- [Mount Style](#) = Flanged
- [Terminal Style Output](#) = Straight

#### Industry Standards:

- [RoHS/ELV Compliance](#) = RoHS compliant, ELV compliant
- [Lead Free Solder Processes](#) = Not relevant for lead free process
- [RoHS/ELV Compliance History](#) = Always was RoHS compliant
- [Approved Standards](#) = VDE Approved, UL Recognized, CSA Certified

#### Conditions for Usage:

- [Facility Installation](#) = No
- [Need Min Size With IEC Connector](#) = No
- [Need Optional Switch, Fusing, Or Voltage Selector](#) = No

#### Operation/Application:

- [Application](#) = Medical

#### Other:

- [Brand](#) = Corcom

C. Westoby 11-18-91

DESCRIPTION	APP'D./DATE	REV
		3

SAFETY ORGANIZATION(S)

THIS FILTER HAS BEEN FORMALLY RECOGNIZED, CERTIFIED OR APPROVED BY THE LISTED AGENCY. THEREFORE, ALL TEST/REQUIREMENTS SPECIFIED IN THE LATEST REVISION OF THE FOLLOWING AGENCY STANDARDS HAVE BEEN MET.

UL RECOGNIZED  
 CSA CERTIFIED  
 VDE APPROVED

UL 544  
 CSA 22.2, NO. 0, 0.4, 8  
 VDE 565-3, 625

OPERATING SPECIFICATIONS:

LINE VOLTAGE/CURRENT:  
 10 AMP., 120/250 VAC  
 10 AMP./40°C, 250 VAC  
 50-60HZ  
 40°C

LINE FREQUENCY,  
 MAX. CASE RISE & RATED CURRENT,  
 MAX. LEAKAGE CURRENT, EACH  
 LINE TO GROUND  
 2µA at 120V 60 Hz  
 5µA at 250V 50 Hz

OPERATING AMBIENT TEMP. RANGE,  
 IN AN AMBIENT,  $T_a$ , HIGHER THAN 40°C, THE MAXIMUM OPERATING  
 CURRENT,  $I_o$ , IS AS FOLLOWS:  
 $I_o = I_r \sqrt{\frac{85-T_a}{45}}$

RELIABILITY SPECIFICATIONS:

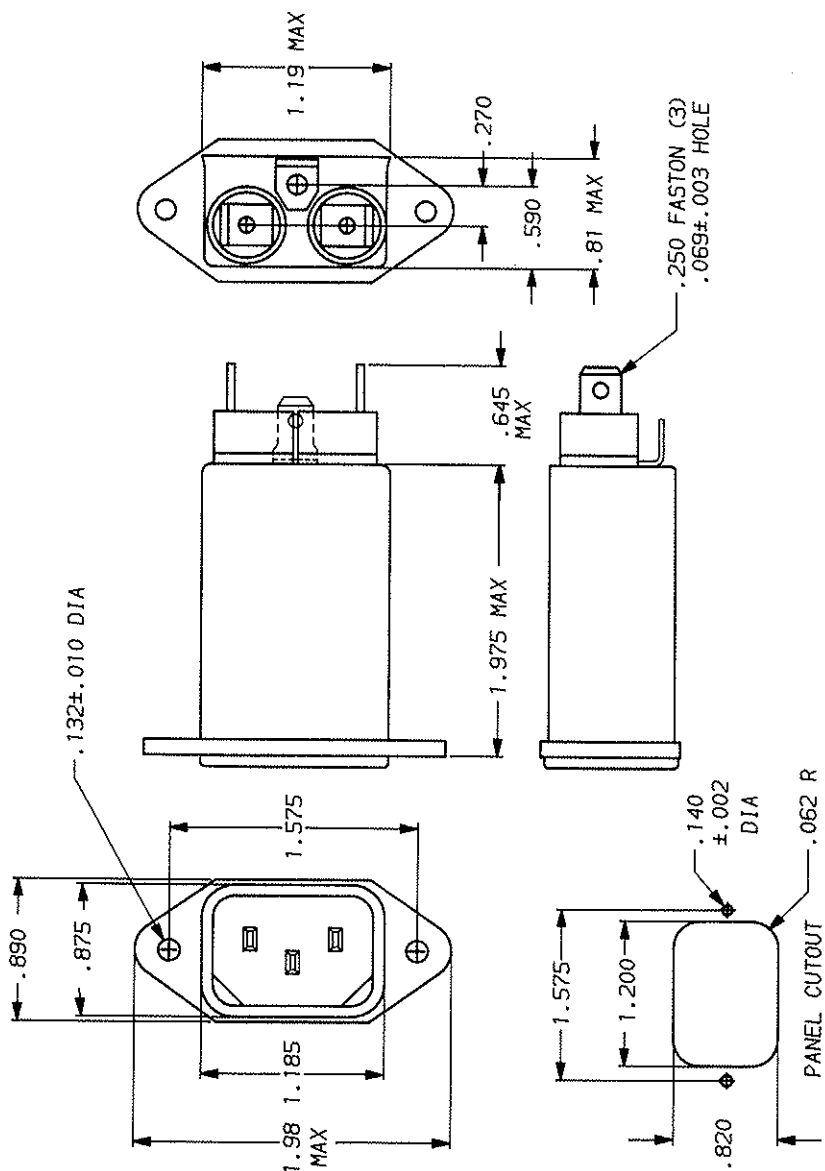
STORAGE TEMPERATURE,  
 HUMIDITY,  
 CURRENT OVERLOAD TEST,  
 TEST SPECIFICATIONS:  
 INDUCTANCE,  
 CAPACITANCE, (MEASURED @ 1 KHz, 0.25 VAC MAX., 25°C ±1°C)  
 LINE TO LINE,  
 DISCHARGE RESISTOR,  
 LINE/GROUND AND LINE/LINE  
 INSULATION RESISTANCE  
 (W/O DISCHARGE RESISTOR)  
 RECOMMENDED RECEIVING INSPECTION HIPOT,  
 LINES TO GROUND,  
 LINE TO LINE,

-.275 mH NOMINAL (6nd Choke)  
 .36 mH NOMINAL  
 .01µF ±20%  
 1.5 Ma  
 6000 Ma (MIN) AT 100 VDC  
 20°C AND 50% RH

2250 VDC FOR 1 MINUTE  
 1450 VDC FOR 1 MINUTE

FILTER APPROVAL:

THE BEST WAY TO SELECT AND QUALIFY A FILTER IS FOR YOUR ENGINEERING TO TEST THE UNIT IN YOUR EQUIPMENT.



FREQUENCY MHZ	1.5	1.0	2.0	5.0	10	20	30
COMMON	7	13	15	17	16	15	14
dB							

50µ - 50α (MINIMUM) INSERTION LOSS

This document is proprietary to CORCOM INC. and is not to be reproduced nor used for manufacturing purposes except on CORCOM's order or prior written consent.

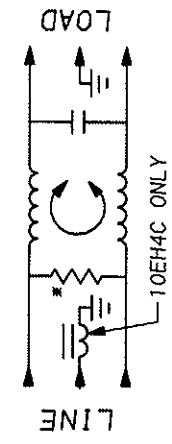


POWER LINE FILTER

SCALE	DATE	DRG. NO.	REV.
NTS	9-12-89	10EH4	3
DESIGN BY	ORIGINATOR	CW	
TDL			

TOLERANCE EXCEPT AS NOTED  
 DECIMAL: .XXX .XX .X ANGLES  
 ENGLISH: ±.015 ± 1°  
 METRIC: ±

MATERIAL: AS SUPPLIED  
 FINISH: AS SUPPLIED



\*RESISTOR ADDED TO PRODUCT BUILT AFTER 3-30-92 (9212).