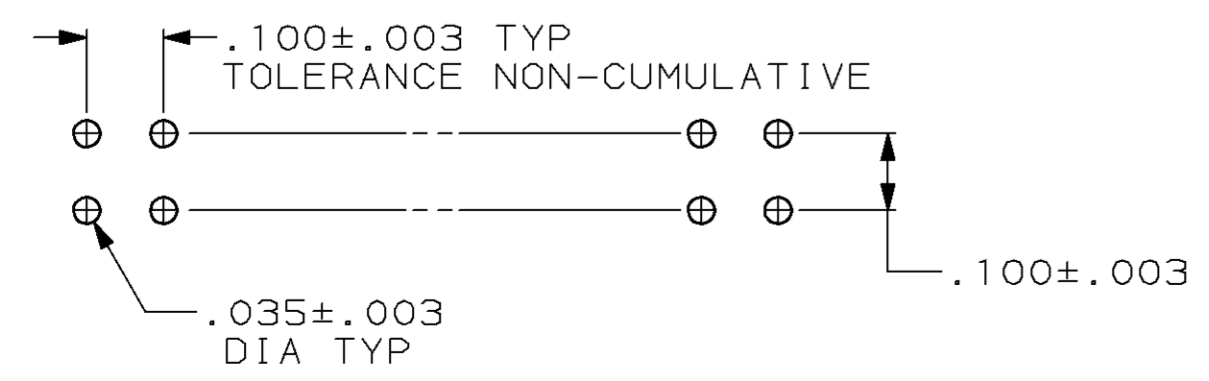
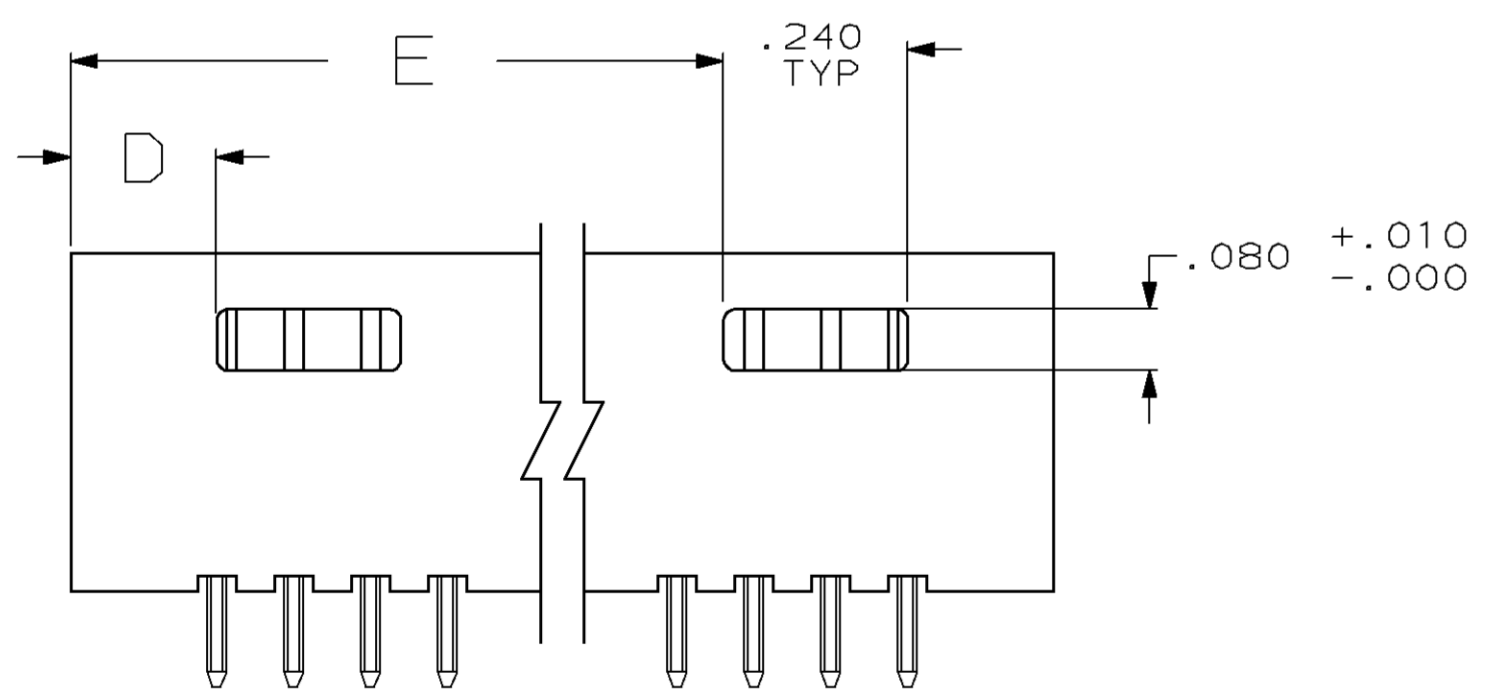
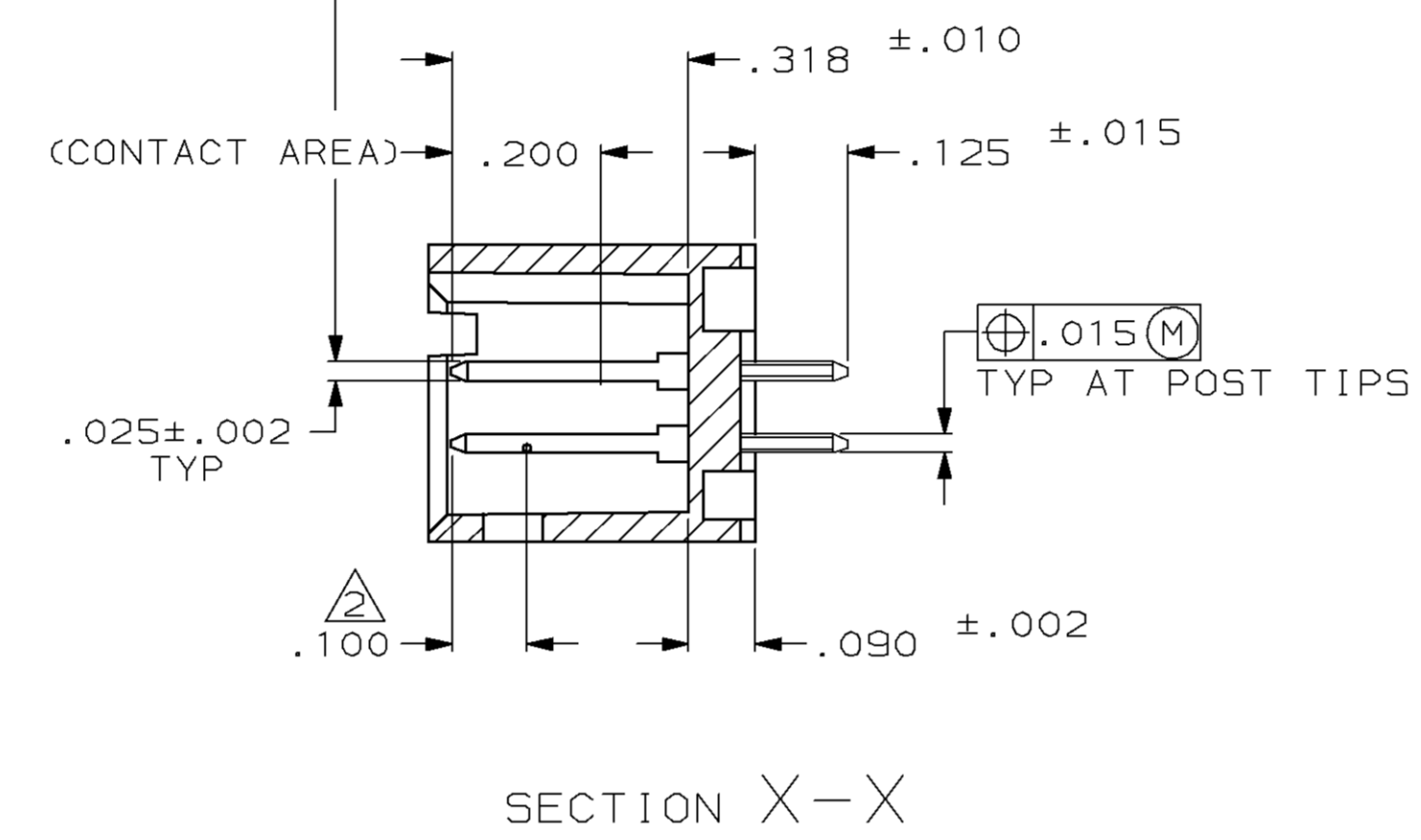
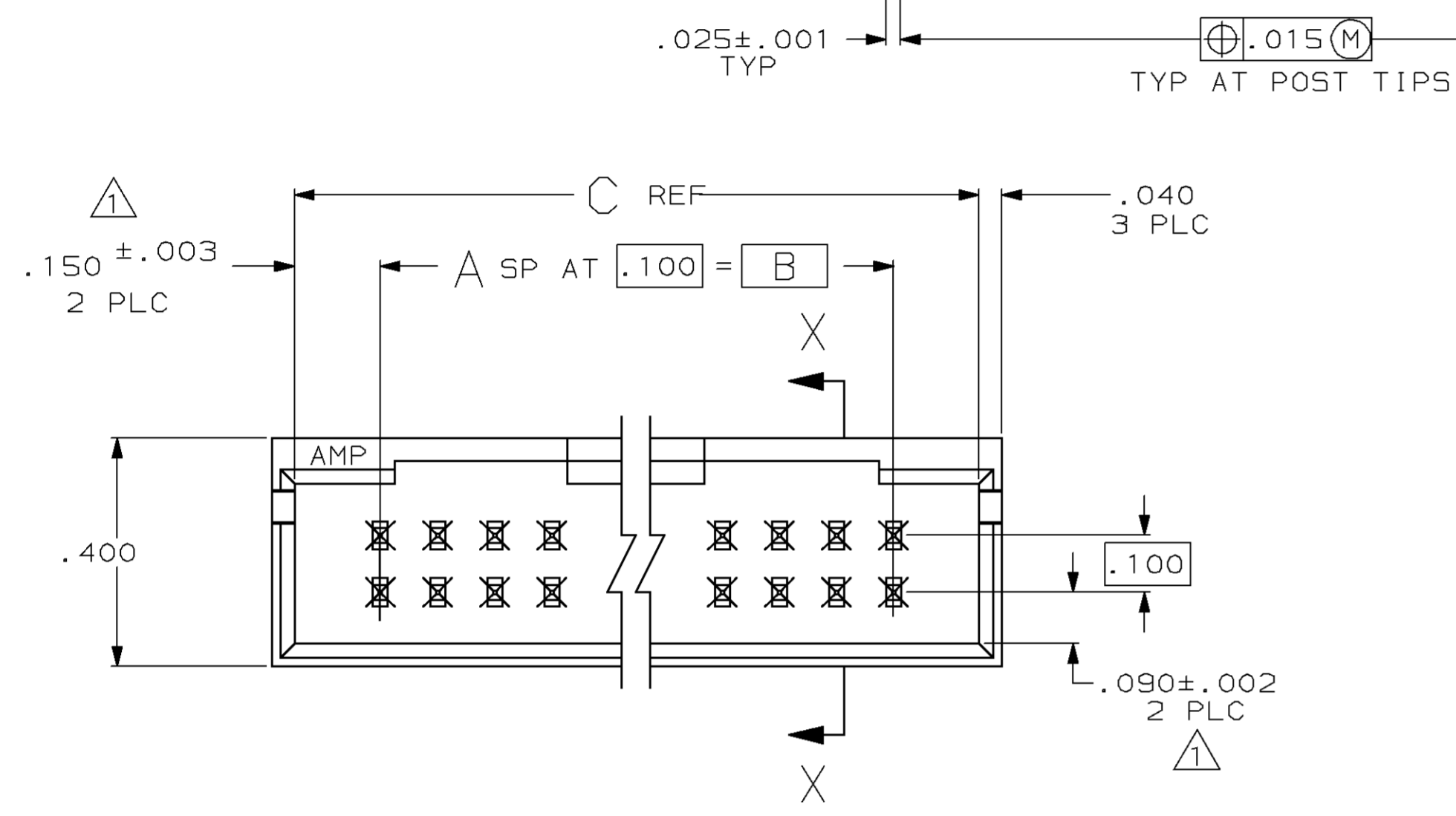
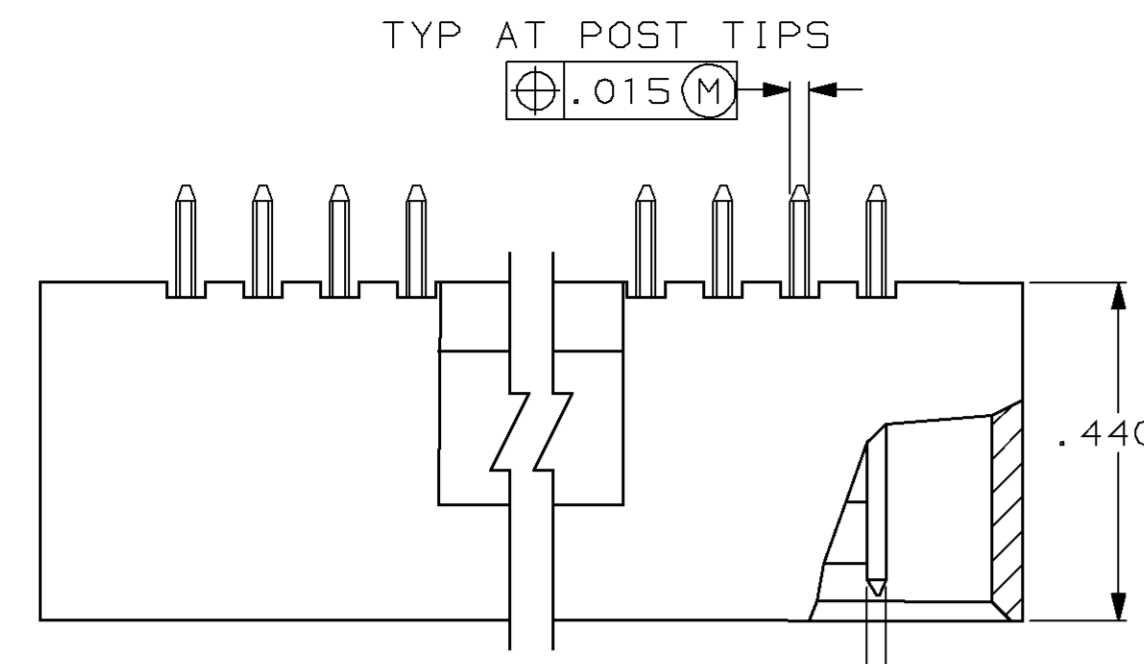


△ THE NOTED DIMENSIONS APPLY AT THE INTERSECTION OF THE POST AND HOUSING  
 △ POINT OF MEASUREMENT FOR PLATING THICKNESS

LOC AD	DIST	P	F	ZONE	LTR	DESCRIPTION	DATE	APPD
					A	REV&REDRAWN ECN 1642	-	-
					B	REV PER ECN AR2295	JPG 4-12-88	-
					C	REV LOC & DIST AD-4171	3-90	BF
					D	ECN AD-4707	08/02/90	KTH
					E	REV PER AD-5084	1-31-91	-
					F	REV PER 0010-1894-93 JK	2-4-94	JK
					G	REV PER ECN.0010-0051-95 TH	3/16/95	JK
					H	REV PER 0310-0146-96	2-27-97	SAS
					J	REV PER 0310-0429-97	4AUG98	SAS



3.490	.190	3.800	3.500	35	72	3-102619-4
3.390	.190	3.700	3.400	34	70	3-102619-3
3.290	.190	3.600	3.300	33	68	3-102619-2
3.190	.190	3.500	3.200	32	66	3-102619-1
3.090	.190	3.400	3.100	31	64	3-102619-0
2.990	.190	3.300	3.000	30	62	2-102619-9
2.890	.190	3.200	2.900	29	60	2-102619-8
2.790	.190	3.100	2.800	28	58	2-102619-7
2.690	.190	3.000	2.700	27	56	2-102619-6
2.590	.190	2.900	2.600	26	54	2-102619-5
2.490	.190	2.800	2.500	25	52	2-102619-4
2.390	.190	2.700	2.400	24	50	2-102619-3
2.290	.190	2.600	2.300	23	48	2-102619-2
2.190	.190	2.500	2.200	22	46	2-102619-1
2.090	.190	2.400	2.100	21	44	2-102619-0
1.990	.190	2.300	2.000	20	42	1-102619-9
1.890	.190	2.200	1.900	19	40	1-102619-8
1.790	.190	2.100	1.800	18	38	1-102619-7
1.690	.190	2.000	1.700	17	36	1-102619-6
1.590	.190	1.900	1.600	16	34	1-102619-5
1.490	.190	1.800	1.500	15	32	1-102619-4
1.390	.190	1.700	1.400	14	30	1-102619-3
1.290	.190	1.600	1.300	13	28	1-102619-2
1.190	.190	1.500	1.200	12	26	1-102619-1
1.090	.190	1.400	1.100	11	24	1-102619-0
.990	.190	1.300	1.000	10	22	102619-9
.890	.190	1.200	.900	9	20	102619-8
.790	.190	1.100	.800	8	18	102619-7
.690	.190	1.000	.700	7	16	102619-6
.590	.190	.900	.600	6	14	102619-5
.490	.190	.800	.500	5	12	102619-4
.390	.190	.700	.400	4	10	102619-3
.290	.190	.600	.300	3	8	102619-2
.190	.190	.500	.200	2	6	102619-1
E	D	C	B	A	NO OF POSN	ASSEMBLY PART NUMBER

UNLESS OTHERWISE SPECIFIED DIMENSIONS ARE IN INCHES TOLERANCES ON :

2 PL DEC ± .005	DR 9-4-87 H MOLL	AMP INCORPORATED Harrisburg, Pa. 17105
3 PL DEC ± .005	CHK 9-4-87 LA MAYER	
ANGLES ± .005	APPD 9-4-87 R. FEIDT	NAME HDR ASSY, MOD II, SHROUDED, 4 SIDES, DBL ROW, VERTICAL, .100X.100¢, WITH .025 SQ POSTS
MATERIAL: HOUSING: FLAME RETARDANT THERMOPLASTIC, COLOR-BLACK	APPD 9-9-87 R. ELICKER	PRODUCT SPEC
POSTS: PHOS BRONZE		
FINISH: POSTS: .000015 GOLD IN CONTACT AREA, .000100-.000200 MATTE TIN- LEAD ON SOLDER TAIL, ALL OVER .000050 NICKEL	APPLICATION SPEC	SIZE <b>D</b>
	WEIGHT	FSCM NO 00779
		DRAWING NO 102619
		SCALE 4:1
		SHEET 1 OF 1