

1103073-2 Product Details

[Share](#) [Print](#) [Email](#)



1103073-2

TE Internal Number: 1103073-2

Active

[View 3D PDF](#)

HTS Connectors and Accessories

Always EU RoHS/ELV Compliant (Statement of Compliance)

Product Highlights:

- HG-Q Series
- Accessory
- Accessory Type = Hood
- Product Size = 1
- Locking Device Type = None

[View all Features](#)

Quick Links

- ▶ [Pricing & Availability](#)
- ▶ [Search for Tooling](#)
- ▶ [Product Feature Selector](#)
- ▶ [Contact Us About This Product](#)

[Add to My Part List](#) [Request Sample](#) [Find Similar Products](#) [Buy Product](#)

Documentation & Additional Information

Product Drawings:

- [HOOD ASSY. HG-Q.STO/STS.1.M25.Z \(PDF, English\)](#)

Catalog Pages/Data Sheets:

- [HTS Heavy Duty Connectors catalogue \(PDF, English\)](#)

Product Specifications:

- None Available

Application Specifications:

- None Available

Instruction Sheets:

- None Available

CAD Files: [\(CAD Format & Compression Information\)](#)

- [2D Drawing \(DXF, Version B2\)](#)
- [3D Model \(IGES, Version B2\)](#)
- [3D Model \(STEP, Version B2\)](#)

[List all Documents](#)

Additional Information:

- [Product Line Information](#)

Related Products:

- [Tooling](#)

Product Features (Please use the Product Drawing for all design activity)

Product Type Features:

- Product Type = Accessory
- Accessory Type = Hood
- Product Size = 1
- [Thread Size](#) = M25
- Finish = Black

Body Features:

- Entry Style = Top
- Dimensions (L x H x W) (mm [in]) = 48.2 x 54.0 x 29.0 [1.898 x 2.126 x 1.142]
- Material = PA 6.6

Contact Features:

- Corrosion Protected = No

Configuration Features:

- Locking Device Type = None

Industry Standards:

- [RoHS/ELV Compliance](#) = RoHS compliant, ELV compliant
- [Lead Free Solder Processes](#) = Not relevant for lead free process
- RoHS/ELV Compliance History = Always was RoHS compliant

Packaging Features:

- Packaging Method = Loose Piece
- Packaging Quantity = 5

Other:

- Series = HG-Q
- Brand = HTS

Corporate Information

- [About TE](#)
- [Investors](#)
- [News Room](#)
- [Supplier Portal](#)
- [Careers](#)
- [Terms & Conditions](#)
- [Privacy Policy](#)
- [AODA Accessibility Policy](#)

Quick Links

- [Distributor Inventory](#)
- [Product Cross Reference](#)
- [Documents & Drawings](#)
- [Product Compliance Support Center](#)
- [Site Map](#)

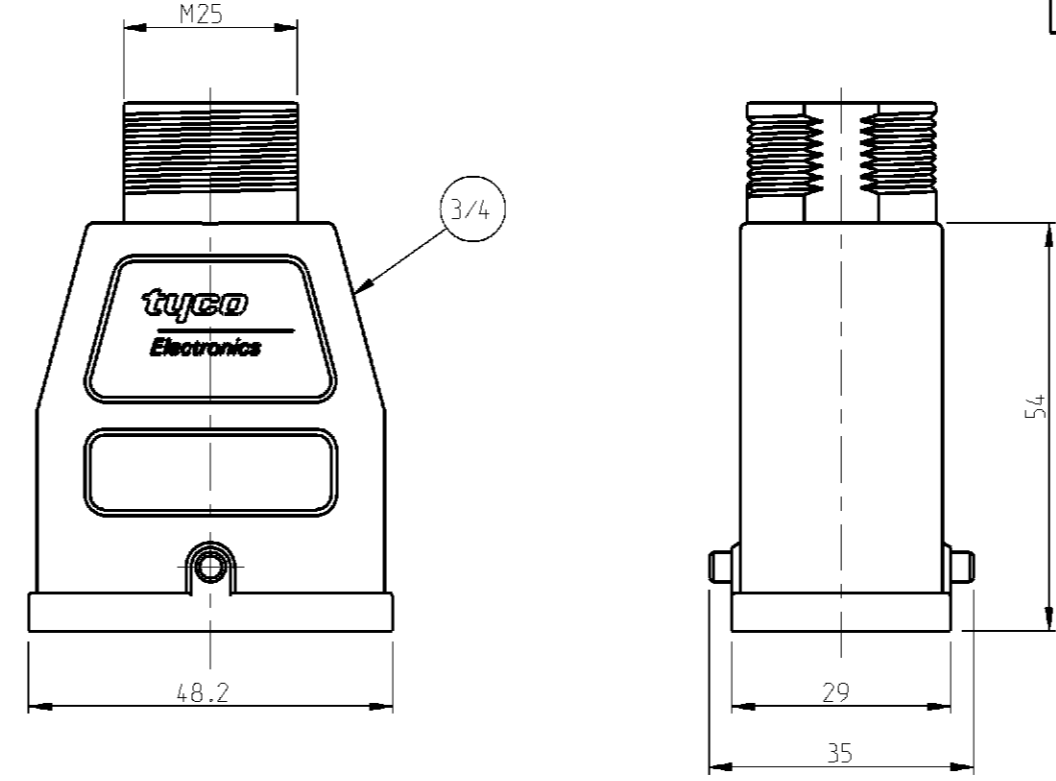
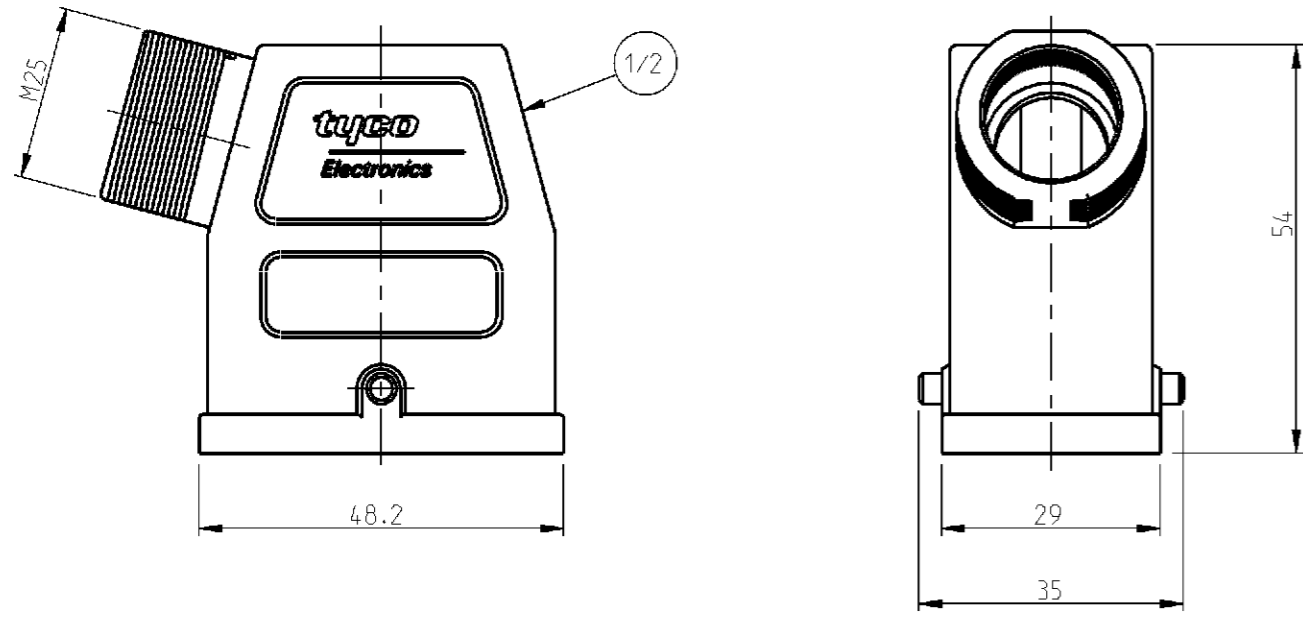
Customer Support

- [Email or Chat With Us](#)
- [Find a Phone Number](#)
- [Knowledge Base](#)
- [Manage Your Account](#)

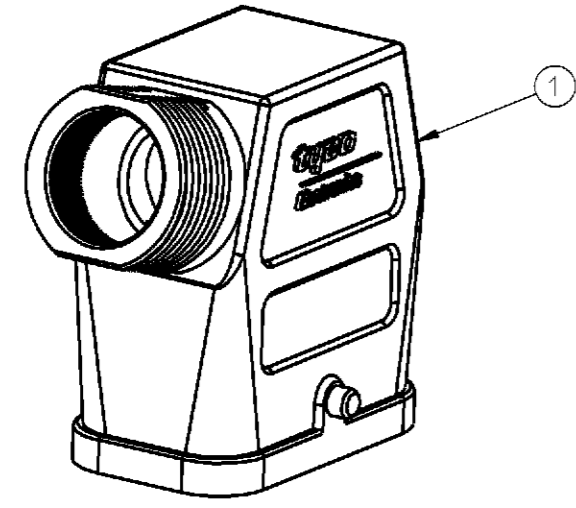
Keep Me Informed

THIS DRAWING IS UNPUBLISHED. RELEASED FOR PUBLICATION
 © COPYRIGHT 2000 BY TYCO ELECTRONICS CORPORATION. ALL RIGHTS RESERVED.

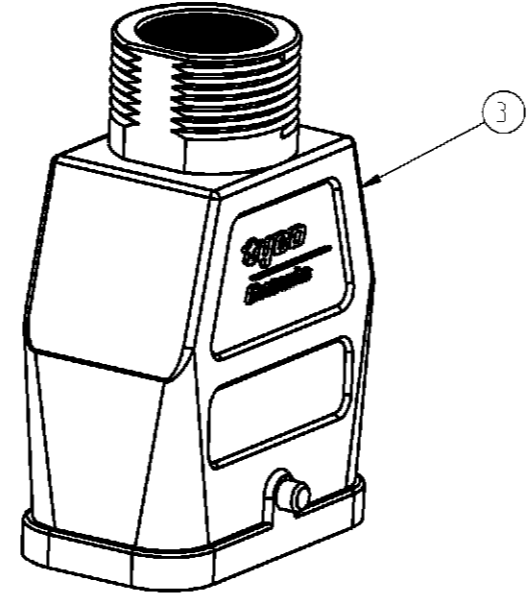
LOC	DIST	REVISIONS			
P	LTR	DESCRIPTION	DATE	DWN	APVD
A1					
	B2	RELEASED AS PER ECR-07-013664	08.Jun.07	NSJ	ST



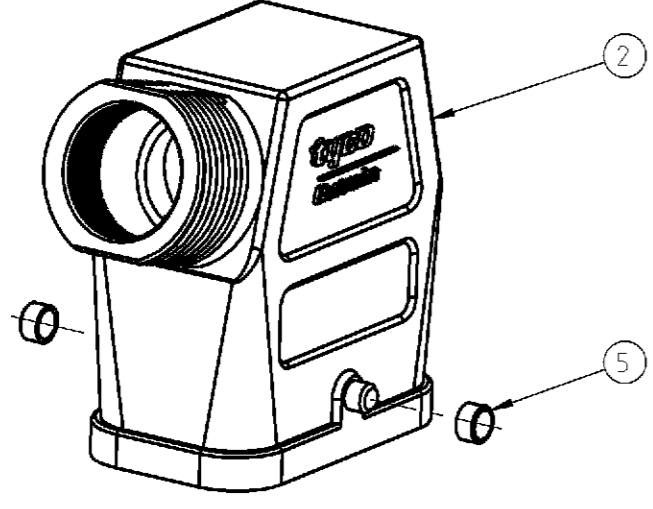
NOTES
 1 PACKAGING QUANTITY: 5 PIECES



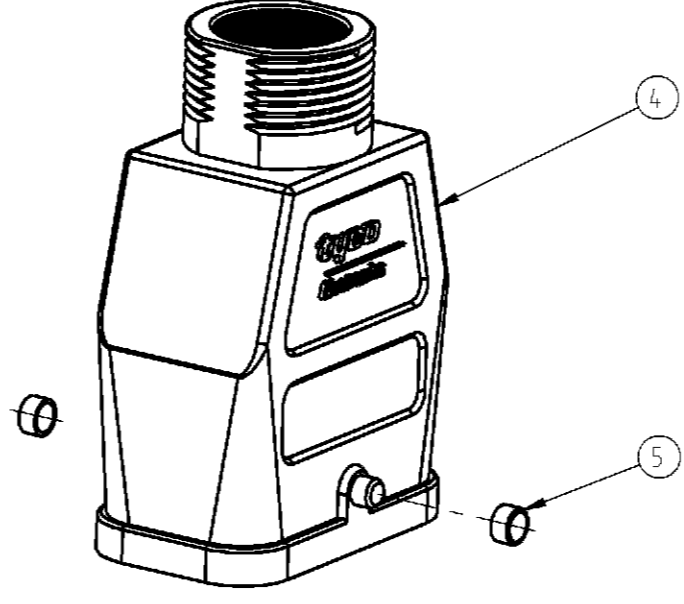
1	HOOD	PA. 6.6-GF25	BLACK	-	1
QTY	DESCRIPTION	MATERIAL	COLOR	NOTE	ITEM NO.
PN 0-1	HG-Q.STS.1.M25.Z				



1	HOOD	PA. 6.6-GF25	BLACK	-	3
QTY	DESCRIPTION	MATERIAL	COLOR	NOTE	ITEM NO.
PN 0-2	HG-Q.STO.1.M25.Z				



2	BUSH	BRASS	-	-	5
1	HOOD	PA. 6.6-GF25	SILVER	EMV	2
QTY	DESCRIPTION	MATERIAL	COLOR	NOTE	ITEM NO.
PN 0-3	HG-EMV-Q.STS.1.M25.Z				



2	BUSH	BRASS	-	-	5
1	HOOD	PA. 6.6-GF25	SILVER	EMV	4
QTY	DESCRIPTION	MATERIAL	COLOR	NOTE	ITEM NO.
PN 0-4	HG-EMV-Q.STO.1.M25.Z				

<small>THIS DRAWING IS A CONTROLLED DOCUMENT FOR TYCO ELECTRONICS CORPORATION. IT IS SUBJECT TO CHANGE AND THE CONTROLLING ENGINEERING ORGANIZATION SHOULD BE CONTACTED FOR THE LATEST REVISION.</small>		DWN Schneider 18.11.04 CHK R.Schneider 19.11.04 APVD T.Schnurfeil 19.11.04	tyco Electronics Tyco / Electronics AMP GmbH D - 53819, Neunkirchen, Germany
DIMENSIONS: mm	TOLERANCES UNLESS OTHERWISE SPECIFIED: 0 PLC ± 1 PLC ± 2 PLC ± 3 PLC ± 4 PLC ± ANGLES ± FINISH ±	PRODUCT SPEC 108-74XXX APPLICATION SPEC 114-74XXX	NAME HOOD ASSY. HG-Q.STO/STS.1.M25.Z
MATERIAL		WEIGHT 0.0XX KG CUSTOMER DRAWING	SIZE CAGE CODE DRAWING NO RESTRICTED TO A2 00779 C-1103073
		SCALE 1:1	SHEET 1 OF 1 REV B2