

1103074-5 Product Details

[Share](#) [Print](#) [Email](#)



1103074-5

TE Internal Number: 1103074-5
 Active

[View 3D PDF](#)

HTS Connectors and Accessories

Always EU RoHS/ELV Compliant (Statement of Compliance)

Product Highlights:

- HG-Q Series
- Accessory
- Accessory Type = Gland Fitting/Kit
- Product Size = 13.0 - 9.0mm
- Thread Size = M25

[View all Features](#)

Quick Links

- ▶ [Pricing & Availability](#)
- ▶ [Search for Tooling](#)
- ▶ [Product Feature Selector](#)
- ▶ [Contact Us About This Product](#)

[Add to My Part List](#) [Request Sample](#) [Find Similar Products](#) [Buy Product](#)

Documentation & Additional Information

Product Drawings:

- [SET GLAND M 25 SERIES HG-Q](#) (PDF, English)

Catalog Pages/Data Sheets:

- [HTS Heavy Duty Connectors catalogue](#) (PDF, English)

Product Specifications:

- None Available

Application Specifications:

- None Available

Instruction Sheets:

- None Available

CAD Files: [\(CAD Format & Compression Information\)](#)

- [2D Drawing](#) (DXF, Version A)
- [3D Model](#) (IGES, Version A)
- [3D Model](#) (STEP, Version A)

[List all Documents](#)

Additional Information:

- [Product Line Information](#)

Related Products:

- [Tooling](#)

Product Features (Please use the Product Drawing for all design activity)

Product Type Features:

- Product Type = Accessory
- Accessory Type = Gland Fitting/Kit
- Product Size = 13.0 - 9.0mm
- [Thread Size](#) = M25
- Color = Red

Body Features:

- Material = PVC

Industry Standards:

- [RoHS/ELV Compliance](#) = RoHS compliant, ELV compliant
- [Lead Free Solder Processes](#) = Not relevant for lead free process
- RoHS/ELV Compliance History = Always was RoHS compliant

Packaging Features:

- Packaging Method = Loose Piece
- Packaging Quantity = 10

Other:

- Series = HG-Q
- Brand = HTS

Corporate Information

- [About TE](#)
- [Investors](#)
- [News Room](#)
- [Supplier Portal](#)
- [Careers](#)
- [Terms & Conditions](#)
- [Privacy Policy](#)
- [AODA Accessibility Policy](#)
- [AODA Multi-Year Accessibility Plan](#)

Quick Links

- [Distributor Inventory](#)
- [Product Cross Reference](#)
- [Documents & Drawings](#)
- [Product Compliance Support Center](#)
- [Site Map](#)

Customer Support

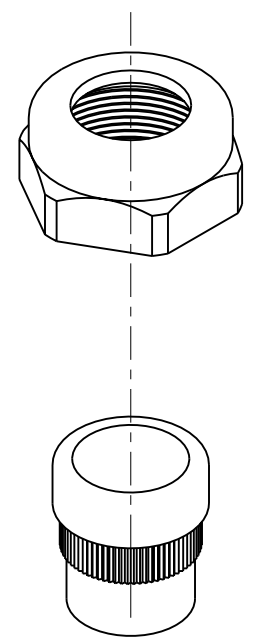
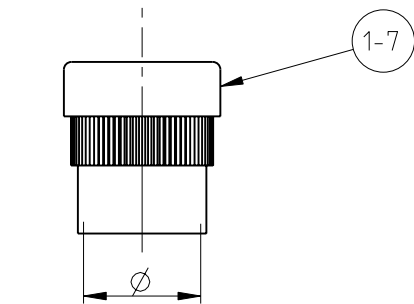
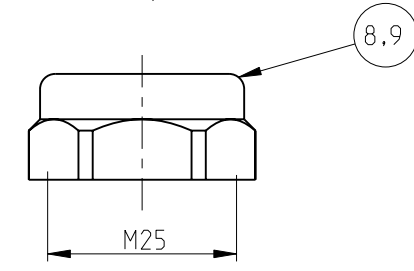
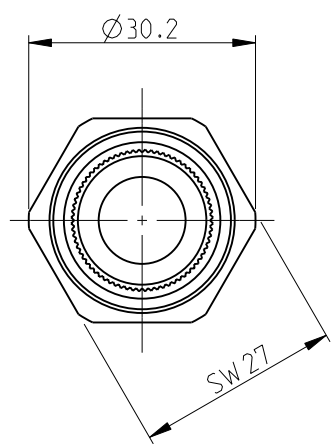
- [Email or Chat With Us](#)
- [Find a Phone Number](#)
- [Knowledge Base](#)
- [Manage Your Account](#)

Keep Me Informed



THIS DRAWING IS UNPUBLISHED. RELEASED FOR PUBLICATION
 © COPYRIGHT 2000 BY TYCO ELECTRONICS CORPORATION. ALL RIGHTS RESERVED.

LOC	DIST	REVISIONS			
P	LTR	DESCRIPTION	DATE	DWN	APVD
A1	-	B3	PN 1-1 - 1-6 ADDED ECR - 027109	27OCT2008	GW ST



Notes
 1 PACKAGING:
 10 SETS IN A CARTON

PN: 0-1 as shown

1-6	1-5	1-4	1-3	1-2	1-1	0-7	0-6	0-5	0-4	0-3	0-2	0-1	DESCRIPTION	max./min.∅	MATERIAL	COLOR	ITEM NO
													GLAND NUT	-	PA6.6-GF25	LIGHT-GREY	9
						1	1	1	1	1	1	1	GLAND NUT	-	PA6.6-GF25	BLACK	8
													SEAL INSERT	15.5	PVC	WHITE	7
1							1						SEAL INSERT	15.5 - 11.5	PVC	WHITE	6
	1							1					SEAL INSERT	13.0 - 9.0	PVC	RED	5
		1							1				SEAL INSERT	10.5 - 7.0	PVC	GREEN	4
			1							1			SEAL INSERT	9.5 - 6.5	PVC	BLACK	3
				1							1		SEAL INSERT	8.0 - 5.0	PVC	GREY	2
					1							1	SEAL INSERT	6.5 - 4.0	PVC	YELLOW	1

HG-Q8.M25.15.5/11.5	grey
HG-Q8.M25.13.0/9.0	grey
HG-Q8.M25.10.5/7.0	grey
HG-Q8.M25.9.5/6.5	grey
HG-Q8.M25.8.0/5.0	grey
HG-Q8.M25.6.5/4.0	grey
HG-Q8.M25.15.5/11.5.S0	
HG-Q8.M25.15.5/11.5	
HG-Q8.M25.13.0/9.0	
HG-Q8.M25.10.5/7.0	
HG-Q8.M25.9.5/6.5	
HG-Q8.M25.8.0/5.0	
HG-Q8.M25.6.5/4.0	

THIS DRAWING IS A CONTROLLED DOCUMENT FOR TYCO ELECTRONICS CORPORATION IT IS SUBJECT TO CHANGE AND THE CONTROLLING ENGINEERING ORGANIZATION SHOULD BE CONTACTED FOR THE LATEST REVISION.

DIMENSIONS: mm

TOLERANCES UNLESS OTHERWISE SPECIFIED:
 n.ISO 8015:
 n.ISO 2768-mH-E:
 n.DIN 16901-120

0 PLC	±
1 PLC	±
2 PLC	±
3 PLC	±
4 PLC	±
ANGLES	±

MATERIAL FINISH -

DWN Schneider 23.11.04
 CHK Schweiger 31.01.05
 APVD T. Schnurpfel 31.01.05

PRODUCT SPEC 108-74052
 APPLICATION SPEC 114-74064
 WEIGHT 0.006 KG

NAME SET GLAND M 25 SERIES HG-Q

SIZE A3 CAGE CODE 00779 DRAWING NO C-1103074 RESTRICTED TO

CUSTOMER DRAWING SCALE 2:1 SHEET 1 OF 1 REV B3

Tyco / Electronics AMP GmbH
 D - 53819, Neunkirchen, Germany