

## 1103133-1 Product Details

[Share](#) [Print](#) [Email](#)




**1103133-1**

TE Internal Number: 1103133-1

 Active

[View 3D PDF](#)

### HTS Connectors and Accessories

 Always ELV Compliant (Statement of Compliance)

#### Product Highlights:

- HVS-HE Series
- Insert
- Contact Configuration = Crimp Terminal
- Insert Style = Pin
- Male

[View all Features](#)

### Quick Links

- ▶ [Pricing & Availability](#)
- ▶ [Search for Tooling](#)
- ▶ [Product Feature Selector](#)
- ▶ [Contact Us About This Product](#)

[Add to My Part List](#) [Request Sample](#) [Find Similar Products](#) [Buy Product](#)

### Documentation & Additional Information

#### Product Drawings:

- [MALE INSERT ASSY HVS-HE.5.STI.SC \(PDF, English\)](#)

#### Catalog Pages/Data Sheets:

- [1308159-2 HVS High Variable System Modular System Ov... \(PDF, English\)](#)
- [HVS High Variable System - Modul-System Ubersicht \(PDF, German\)](#)

#### Product Specifications:

- None Available

#### Application Specifications:

- None Available

#### Instruction Sheets:

- None Available

#### CAD Files: (CAD Format & Compression Information)

- [2D Drawing \(DXF, Version C\)](#)
- [3D Model \(IGES, Version C\)](#)
- [3D Model \(STEP, Version C\)](#)

[List all Documents](#)

#### Additional Information:

- [Product Line Information](#)

#### Related Products:

- [Tooling](#)

### Product Features (Please use the Product Drawing for all design activity)

#### Product Type Features:

- Product Type = Insert
- Gender = Male
- Finish = Light Gray

#### Body Features:

- Insert Style = Pin
- Material = PC-GF20

#### Contact Features:

- Contact Configuration = Crimp Terminal
- Number of Poles = 5

#### Industry Standards:

- [RoHS/ELV Compliance](#) = ELV compliant
- [Lead Free Solder Processes](#) = Not relevant for lead free process
- [RoHS/ELV Compliance History](#) = Always was ELV compliant

#### Packaging Features:

- Packaging Method = Loose Piece
- Packaging Quantity = 10

#### Other:

- Series = HVS-HE
- Brand = HTS

### Corporate Information

[About TE](#)  
[Investors](#)  
[News Room](#)  
[Supplier Portal](#)  
[Careers](#)  
[Terms & Conditions](#)  
[Privacy Policy](#)  
[AODA Accessibility Policy](#)  
[AODA Multi-Year Accessibility Plan](#)

### Quick Links

[Distributor Inventory](#)  
[Product Cross Reference](#)  
[Documents & Drawings](#)  
[Product Compliance Support Center](#)  
[Site Map](#)

### Customer Support

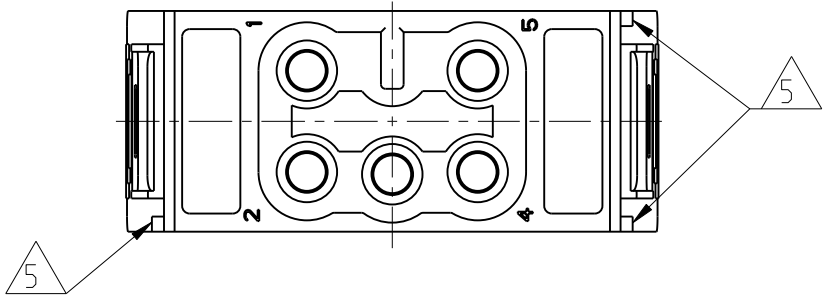
[Email or Chat With Us](#)  
[Find a Phone Number](#)  
[Knowledge Base](#)  
[Manage Your Account](#)

### Keep Me Informed

THIS DRAWING IS UNPUBLISHED. RELEASED FOR PUBLICATION 2000  
 © COPYRIGHT 2000 BY TYCO ELECTRONICS CORPORATION. ALL RIGHTS RESERVED.

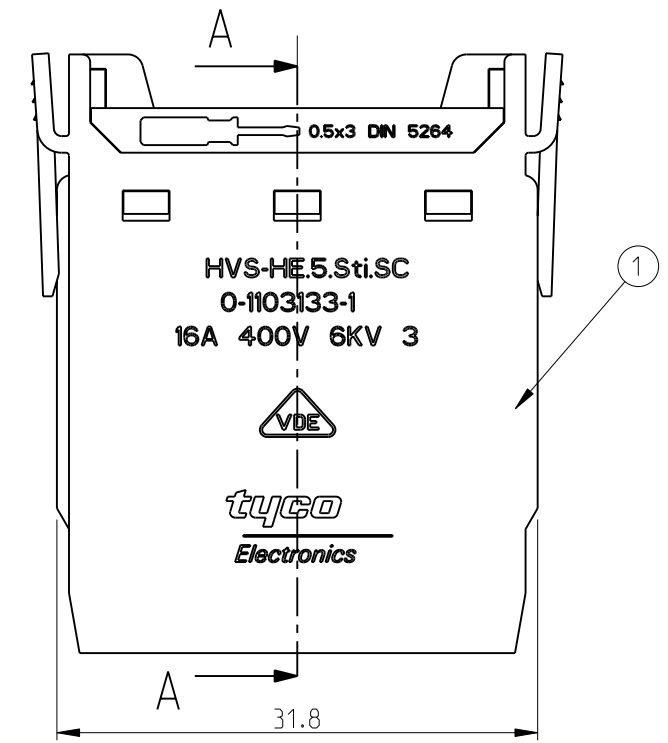
LOC	DIST	REVISIONS					
		P	LTR	DESCRIPTION	DATE	DWN	APVD
A1			B3	ECR - 10 - 001843	09FEB2010	GW	OH
			C1	ECR-10-019610	21SEP2010	SR	OH

PN 0-1 As Shown  
 Contact arrangement  
 view from connecting side

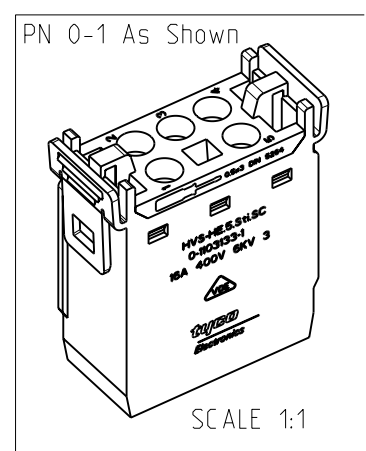
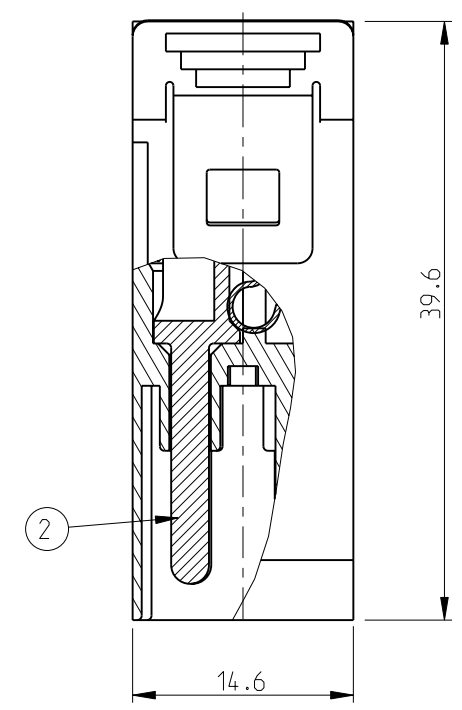


- NOTES
- CONTACT:1 TO 5  
 OUTER DIMENSIONS OF INSULATION: MAX. Ø4.9mm
  - SUITABLE MODULE FIXING FRAME: SERIES HVS SIZE 3 TO 8  
 CUSTOMER DRAWING: 1103250
  - SUITABLE INSERTION AND EXTRACTION TOOL:  
 SCREW DRIVER 0.3x5 DIN 5264
  - STANDARDS:  
 DIN EN 61984; DIN EN 60664-1
  - POLARIZATION RIBS
  - MARKING OF POLARIZATION ACCORDING TO MARKING OF  
 MODULE FRAME
  - PACKAGING:  
 10 SETS IN A CARTON, PRE-MOUNTED
  - AUTHORIZATION VDE

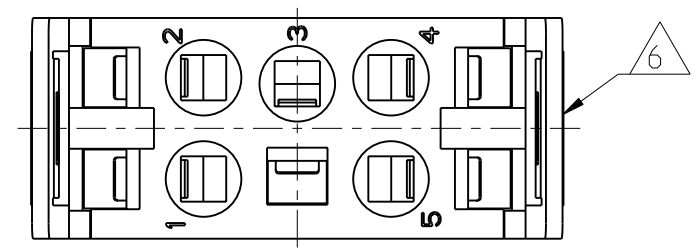
Lateral Print



SECTION A-A



Contact arrangement  
 view from termination side



QTY	DESCRIPTION	MATERIAL	SURFACE	COLOR	NOTE	ITEM
1	MALE INSERT HVS-HE.5	PC-GF20		LIGHT GREY		1
5	PIN CONTACT					2
1	COVER HVS-HE.5	PC-GF20		LIGHT GREY		3

THIS DRAWING IS A CONTROLLED DOCUMENT FOR TYCO ELECTRONICS CORPORATION  
 IT IS SUBJECT TO CHANGE AND THE CONTROLLING ENGINEERING ORGANIZATION  
 SHOULD BE CONTACTED FOR THE LATEST REVISION.

DIMENSIONS: mm	TOLERANCES UNLESS OTHERWISE SPECIFIED: ISO 8075 DIN ISO 2768 mH-E DIN 16901-120	DWN M.SCHWEIGER 31.05.2005	Tyco Electronics AMP GmbH 53757 Sankt Augustin, Germany				
	0 PLC ± 1 PLC ± 2 PLC ± 3 PLC ± 4 PLC ± ANGLES ±	CHK T.SCHNURPFIL 31.05.2005		NAME MALE INSERT ASSY HVS-HE.5.STI.SC			
MATERIAL	FINISH	APVD T.SCHNURPFIL 31.05.2005		PRODUCT SPEC 108-74071			
				APPLICATION SPEC 114-74073			
			WEIGHT	SIZE A3	CAGE CODE 00779	DRAWING NO C-1103133	RESTRICTED TO
			CUSTOMER DRAWING	SCALE 2:1	SHEET 1	OF 1	REV C1