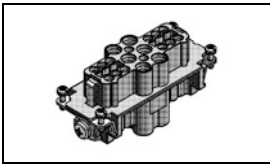


1103147-1 Product Details

[Share](#) [Print](#) [Email](#)



1103147-1

TE Internal Number: 1103147-1
✔ Active

[View 3D PDF](#)

HTS Connectors and Accessories

Always EU RoHS/ELV Compliant (Statement of Compliance)

Product Highlights:

- HMX Series
- Housing
- Insert Style = Socket
- Female
- 6+12 Poles

[View all Features](#)

Quick Links

- ▶ [Pricing & Availability](#)
- ▶ [Search for Tooling](#)
- ▶ [Product Feature Selector](#)
- ▶ [Contact Us About This Product](#)

[Add to My Part List](#) [Request Sample](#) [Find Similar Products](#) [Buy Product](#)

Documentation & Additional Information

Product Drawings:

- [SOCKET ASSY HMX 6/12 BU.C](#) (PDF, English)

Catalog Pages/Data Sheets:

- None Available

Product Specifications:

- None Available

Application Specifications:

- None Available

Instruction Sheets:

- None Available

CAD Files: [\(CAD Format & Compression Information\)](#)

- [2D Drawing](#) (DXF, Version C)
- [3D Model](#) (IGES, Version C)
- [3D Model](#) (STEP, Version C)

[List all Documents](#)

Additional Information:

- [Product Line Information](#)

Related Products:

- [Tooling](#)

Product Features (Please use the Product Drawing for all design activity)

Product Type Features:

- Product Type = Housing
- Gender = Female
- Finish = Light Gray

Body Features:

- Insert Style = Socket
- Material = PBT-GF30

Contact Features:

- Number of Poles = 6+12

Industry Standards:

- [RoHS/ELV Compliance](#) = RoHS compliant, ELV compliant
- [Lead Free Solder Processes](#) = Not relevant for lead free process
- [RoHS/ELV Compliance History](#) = Always was RoHS compliant

Packaging Features:

- [Packaging Method](#) = Loose Piece
- [Packaging Quantity](#) = 5

Other:

- Series = HMX
- Brand = HTS

Corporate Information

- [About TE](#)
- [Investors](#)
- [News Room](#)
- [Supplier Portal](#)
- [Careers](#)
- [Terms & Conditions](#)
- [Privacy Policy](#)
- [AODA Accessibility Policy](#)
- [AODA Multi-Year Accessibility Plan](#)

Quick Links

- [Distributor Inventory](#)
- [Product Cross Reference](#)
- [Documents & Drawings](#)
- [Product Compliance Support Center](#)
- [Site Map](#)

Customer Support

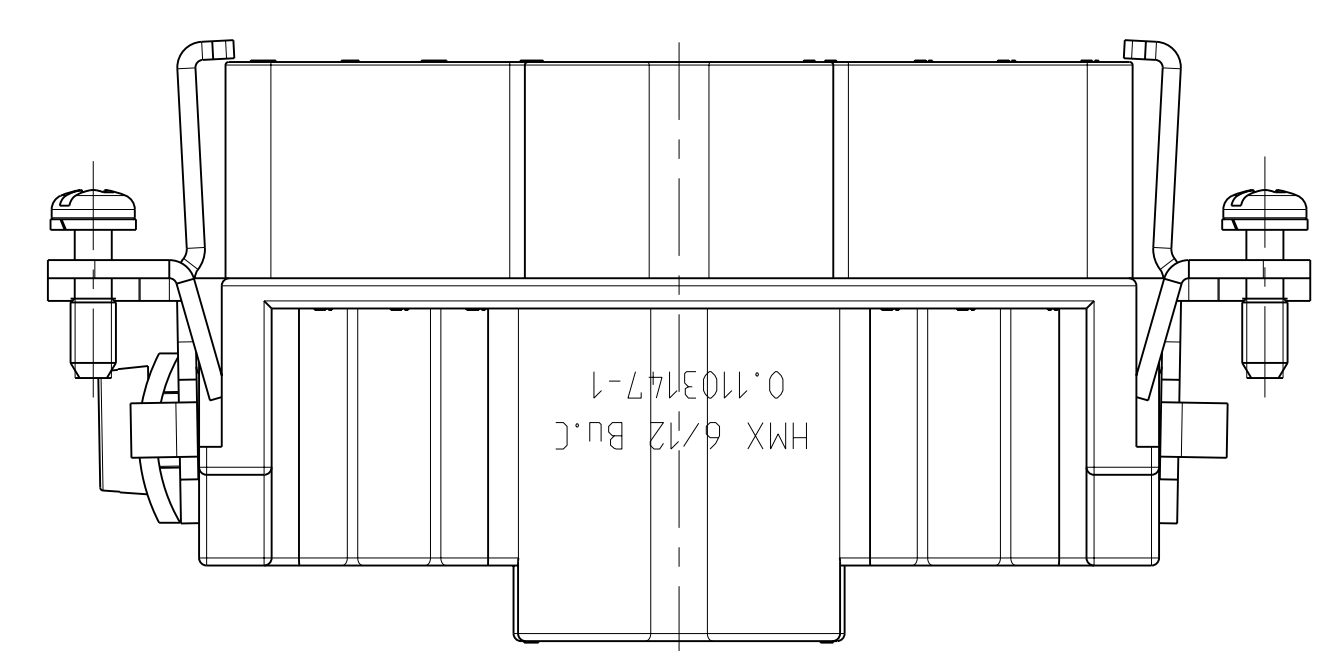
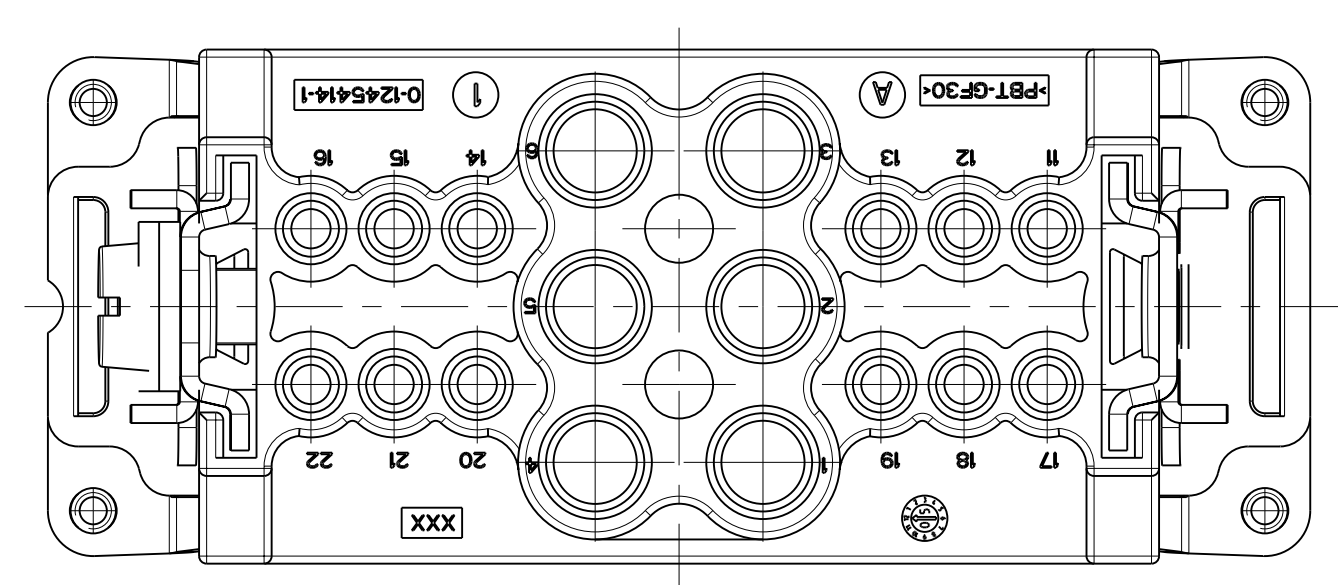
- [Email or Chat With Us](#)
- [Find a Phone Number](#)
- [Knowledge Base](#)
- [Manage Your Account](#)

Keep Me Informed

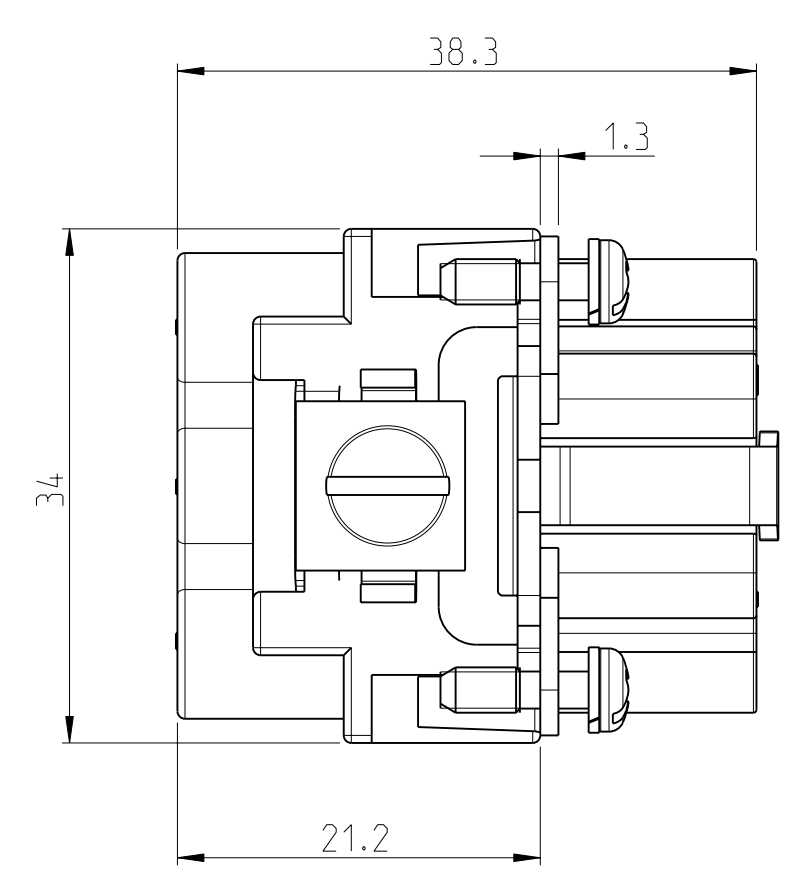
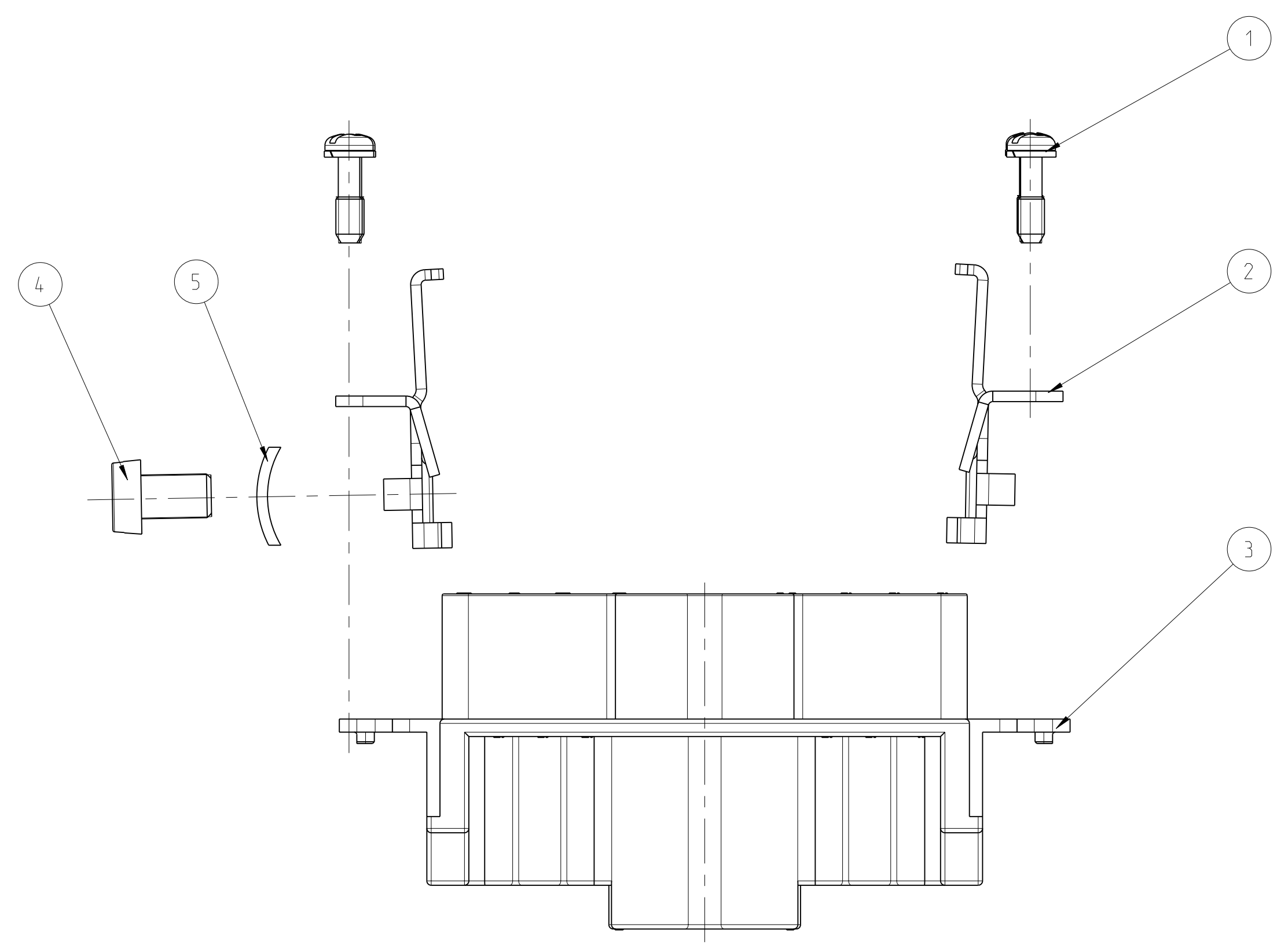
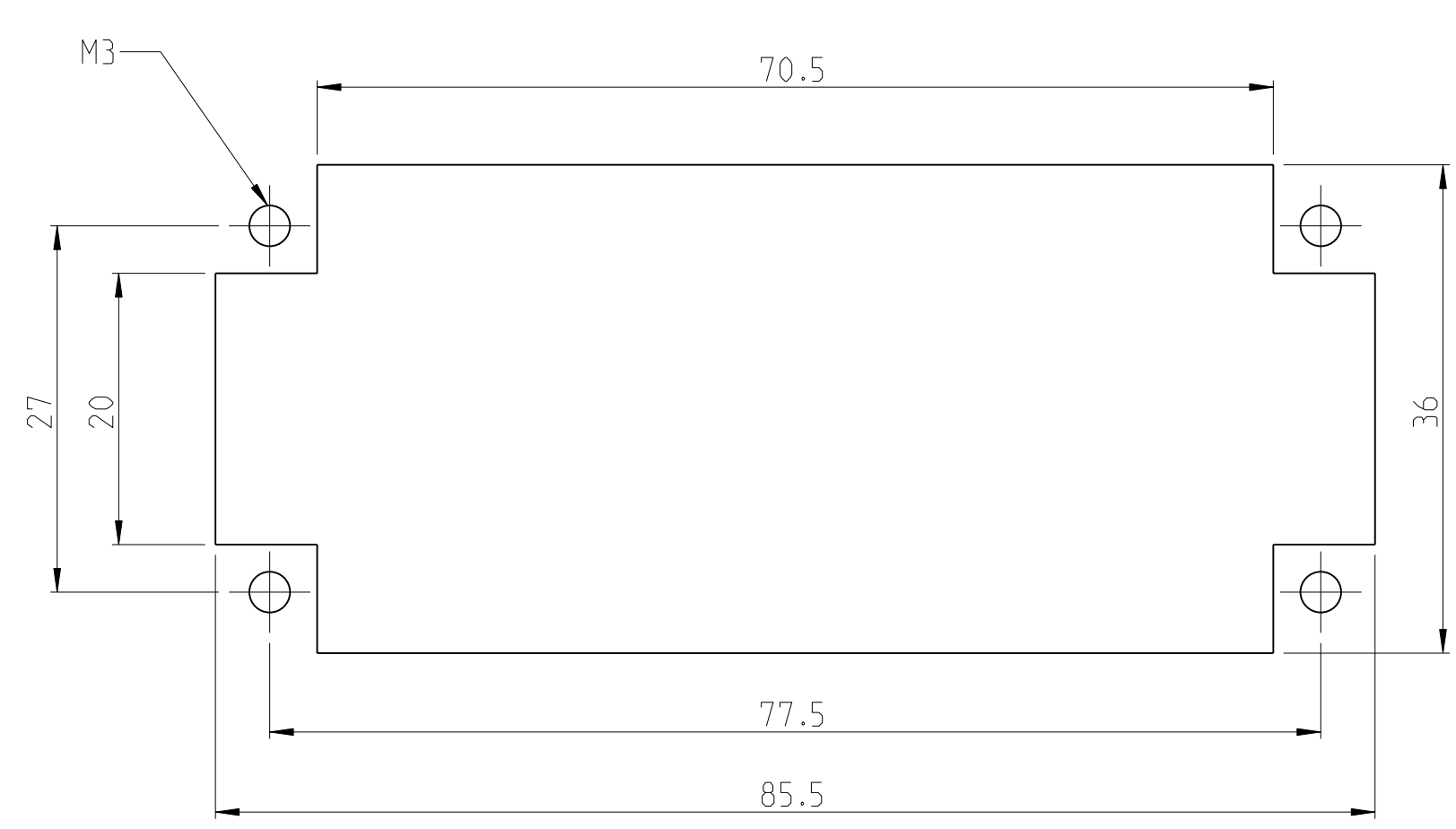
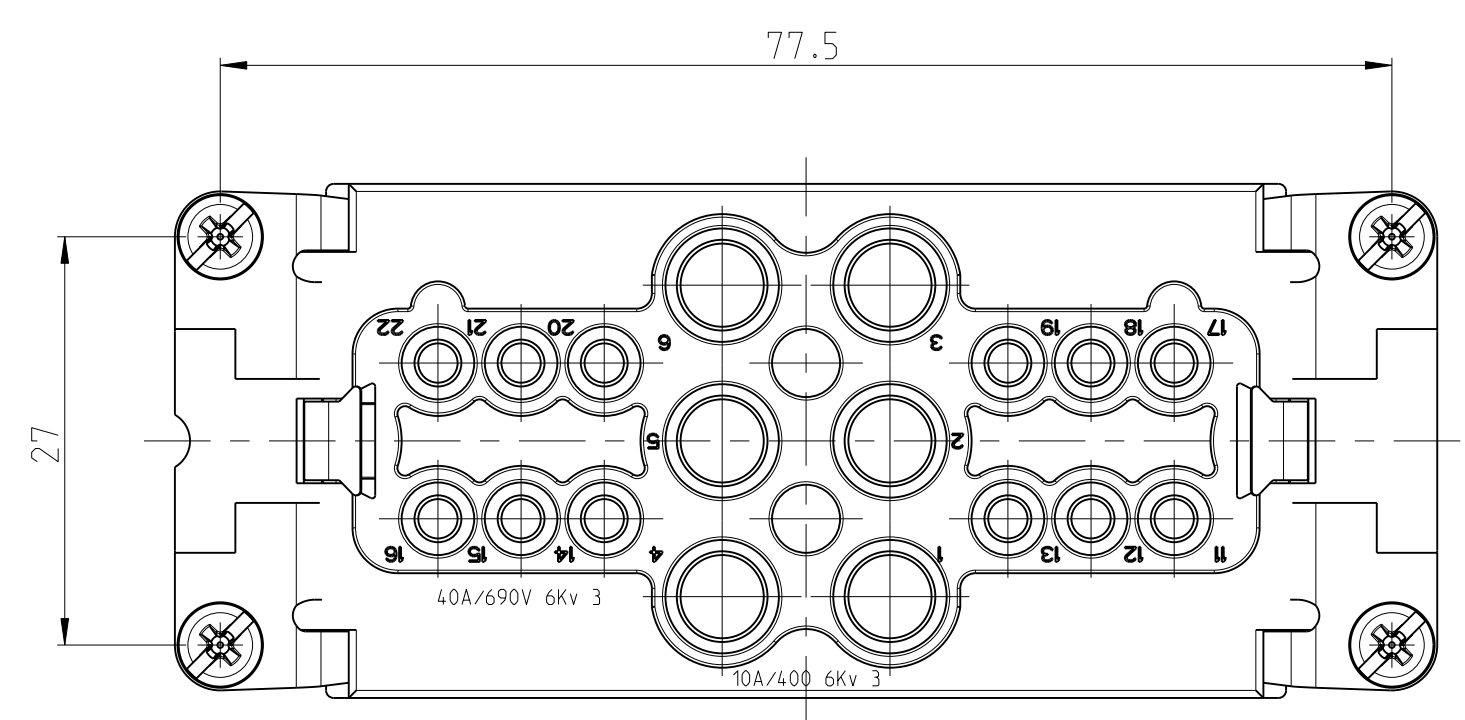


LOC	DIST	REV	DESCRIPTION	DATE	DWN	APVD
A1	-	C1	ECR-09-026756	02FEB2010	SR	EM

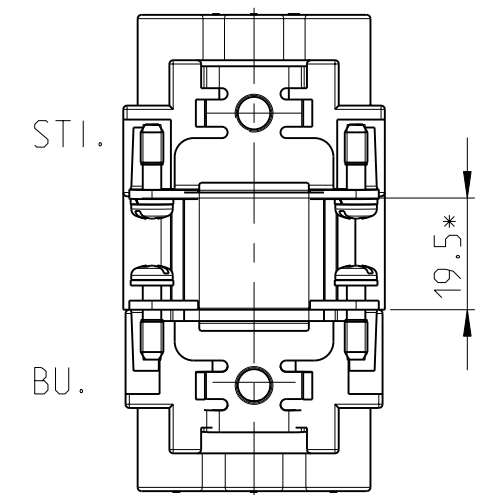
CONTACT ARRANGEMENT VIEW FROM TERMINATION SIDE



CONTACT ARRANGEMENT VIEW FROM CONNECTING SIDE

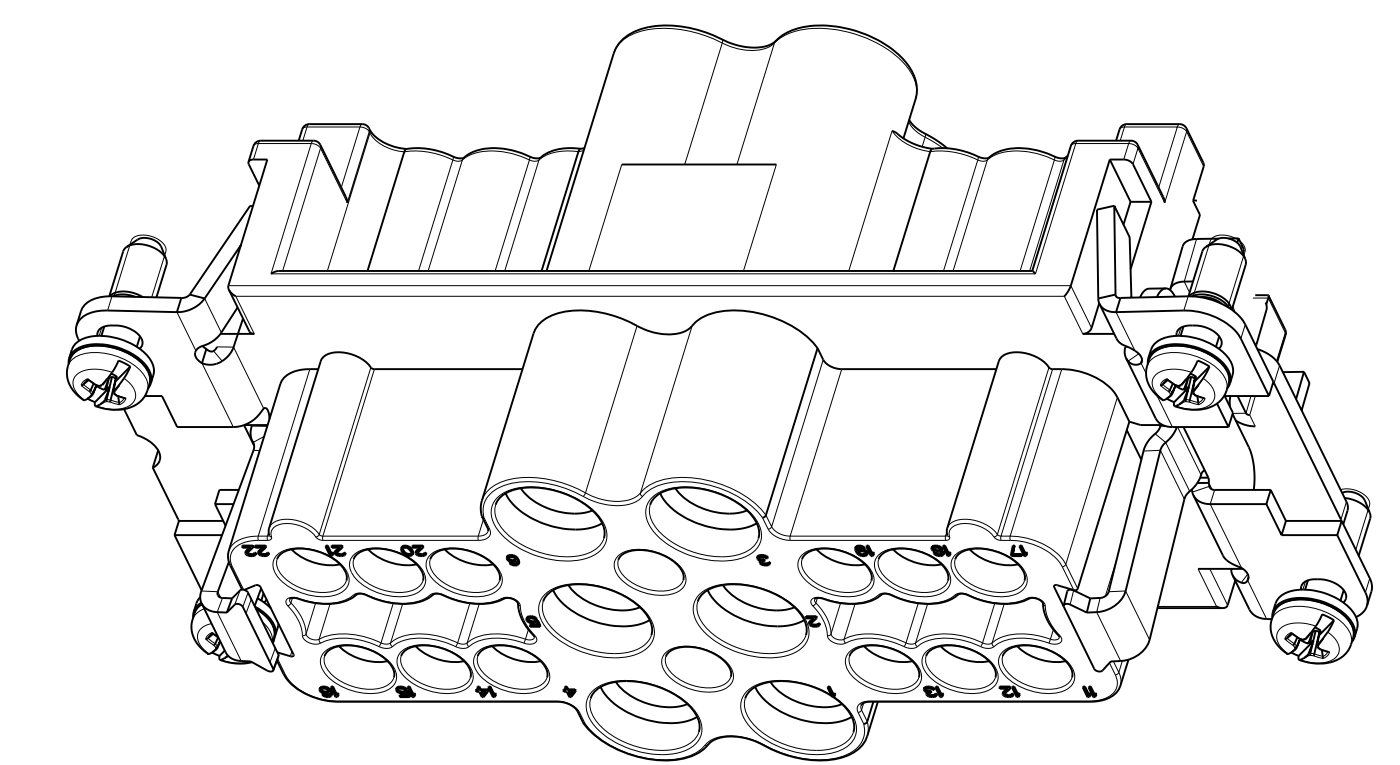


DISTANCE FOR QUARANTEED CONTACT:
21mm MAX.



NOTES

- COVER CONTACT : 1 TO 6
 OUTER DIMENSIONS OF INSULATION: MAX. 6.5MM
 SIGNAL CONTACT: 11 TO 22
 OUTER DIMENSIONS OF INSULATION: MAX. 3.2MM
- SUITABLE HOOD SIZE 6
 SERIES HB, HD, EMV, AND HIP
- STANDARDS:
 DIN EN 61984; DIN EN 60664-1
- PACKAGING:
 5 PIECES IN A CARTON BOX



QTY	DESCRIPTION	MATERIAL	SURFACE	ITEM
1	CLIP TAB	STEEL	NICKEL PLATED	5
1	CYLINDER SCREW . M5	STEEL	NICKEL PLATED	4
1	SOCKET HOUSING	VALOX 420SE0	VDI 3400-24	3
2	GRINDING CONTACT-SOCKET	Cu Zn37 F38	Cu/Ni 5b	2
4	FIXING SCREW ASSY	St.8.8	Ni	1
0-1	ORDERING TEXT: HMX.6/12BU.C			

THIS DRAWING IS A CONTROLLED DOCUMENT. DWN: R.SCHNEIDER 02FEB2010
 CHN: T.SCHNURPELL 02FEB2010
 APVD: T.SCHNURPELL

STE TE Connectivity

PRODUCT SPEC: SOCKET ASSY HMX 6/12 BU.C
 APPLICATION SPEC: -
 WEIGHT: -
 CUSTOMER DRAW ING

SCALE: 2:1 SHEET 1 OF 1 REV: C1