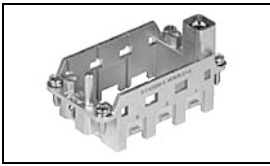


1103250-5 Product Details

[Share](#) [Print](#) [Email](#)



1103250-5

TE Internal Number: 1103250-5
 Active

[View 3D PDF](#)

HTS Module System

Always EU RoHS/ELV Compliant (Statement of Compliance)

Product Highlights:

- Accessory
- Accessory Type = Fixing Frame
- Size = 1-3
- 3 Signal Positions
- Frame Style = Top

[View all Features](#)

Quick Links

- ▶ [Pricing & Availability](#)
- ▶ [Search for Tooling](#)
- ▶ [Product Feature Selector](#)
- ▶ [Contact Us About This Product](#)

[Add to My Part List](#) [Request Sample](#) [Find Similar Products](#) [Buy Product](#)

Documentation & Additional Information

Product Drawings:

- [Assy module frame series hvs size 1-4 \(PDF, English\)](#)

Catalog Pages/Data Sheets:

- [1308159-2 HVS High Variable System Modular System Ov... \(PDF, English\)](#)
- [HTS Heavy Duty Connectors catalogue \(PDF, English\)](#)
- [HVS High Variable System - Modul-System Ubersicht \(PDF, German\)](#)

Product Specifications:

- None Available

Application Specifications:

- None Available

Instruction Sheets:

- None Available

CAD Files: [\(CAD Format & Compression Information\)](#)

- [2D Drawing \(DXF, Version B\)](#)
- [3D Model \(IGES, Version B\)](#)
- [3D Model \(STEP, Version B\)](#)

[List all Documents](#)

Additional Information:

- [Product Line Information](#)

Related Products:

- [Tooling](#)

Product Features (Please use the Product Drawing for all design activity)

Product Type Features:

- Product Type = Accessory
- Accessory Type = Fixing Frame
- Size = 1-3
- Frame Style = Top

Body Features:

- Material = Zinc Alloy

Configuration Features:

- Number of Signal Positions = 3

Industry Standards:

- RoHS/ELV Compliance = RoHS compliant, ELV compliant
- Lead Free Solder Processes = Not relevant for lead free process
- RoHS/ELV Compliance History = Always was RoHS compliant

Other:

- Brand = HTS
- Comment = For Size 4 Housings and 3 Modules.; R.O. Version

Corporate Information

- [About TE](#)
- [Investors](#)
- [News Room](#)
- [Supplier Portal](#)
- [Careers](#)
- [Terms & Conditions](#)
- [Privacy Policy](#)
- [AODA Accessibility Policy](#)
- [AODA Multi-Year Accessibility Plan](#)

Quick Links

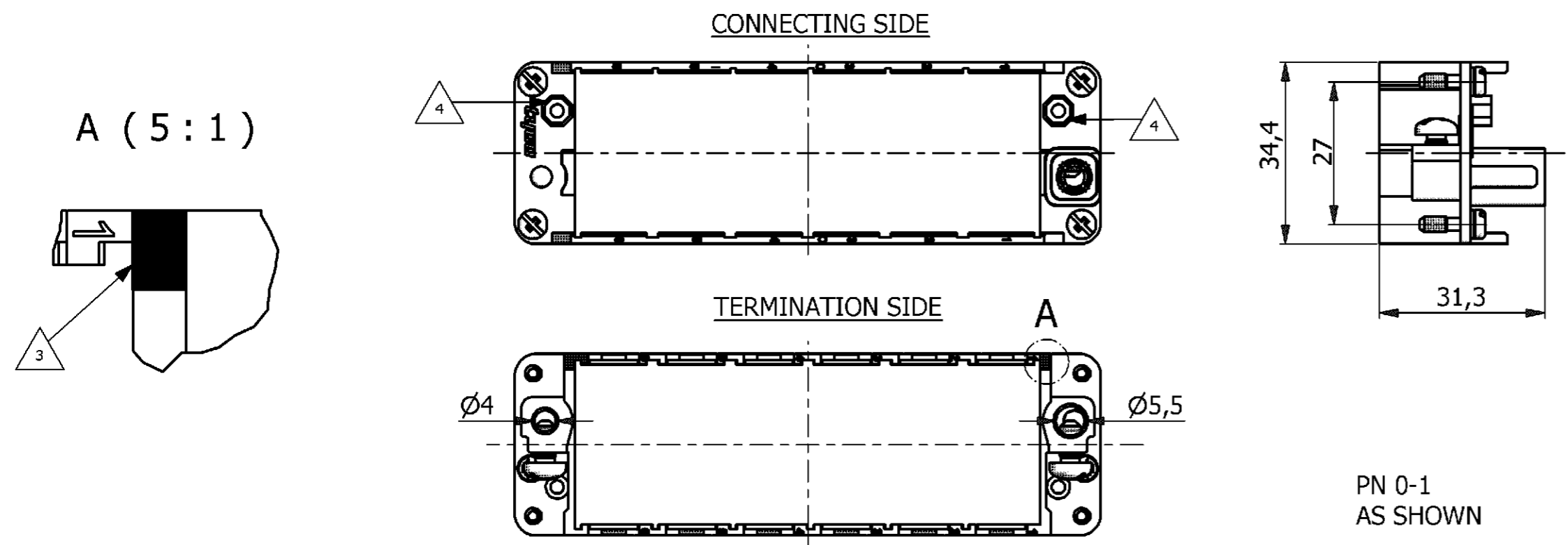
- [Distributor Inventory](#)
- [Product Cross Reference](#)
- [Documents & Drawings](#)
- [Product Compliance Support Center](#)
- [Site Map](#)

Customer Support

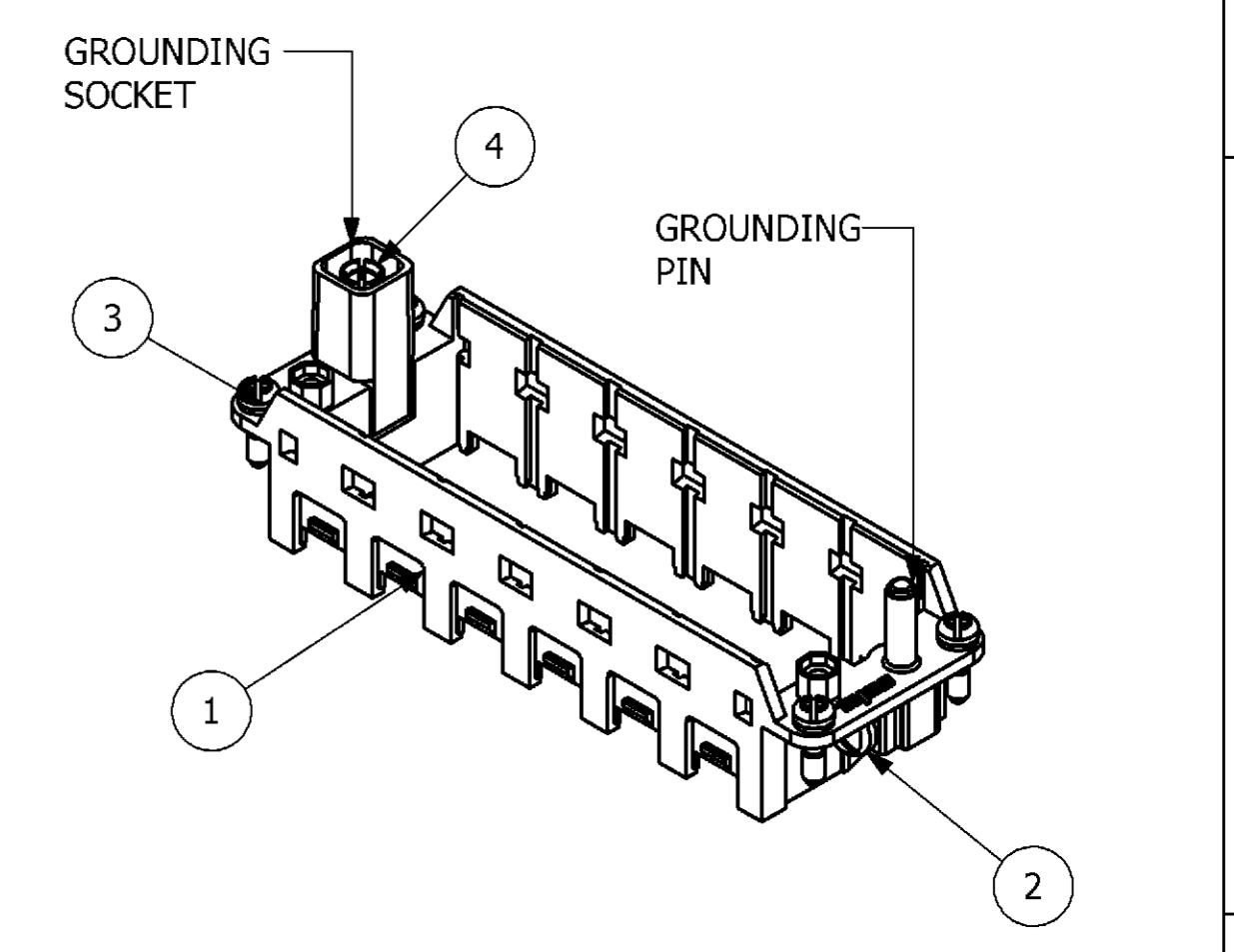
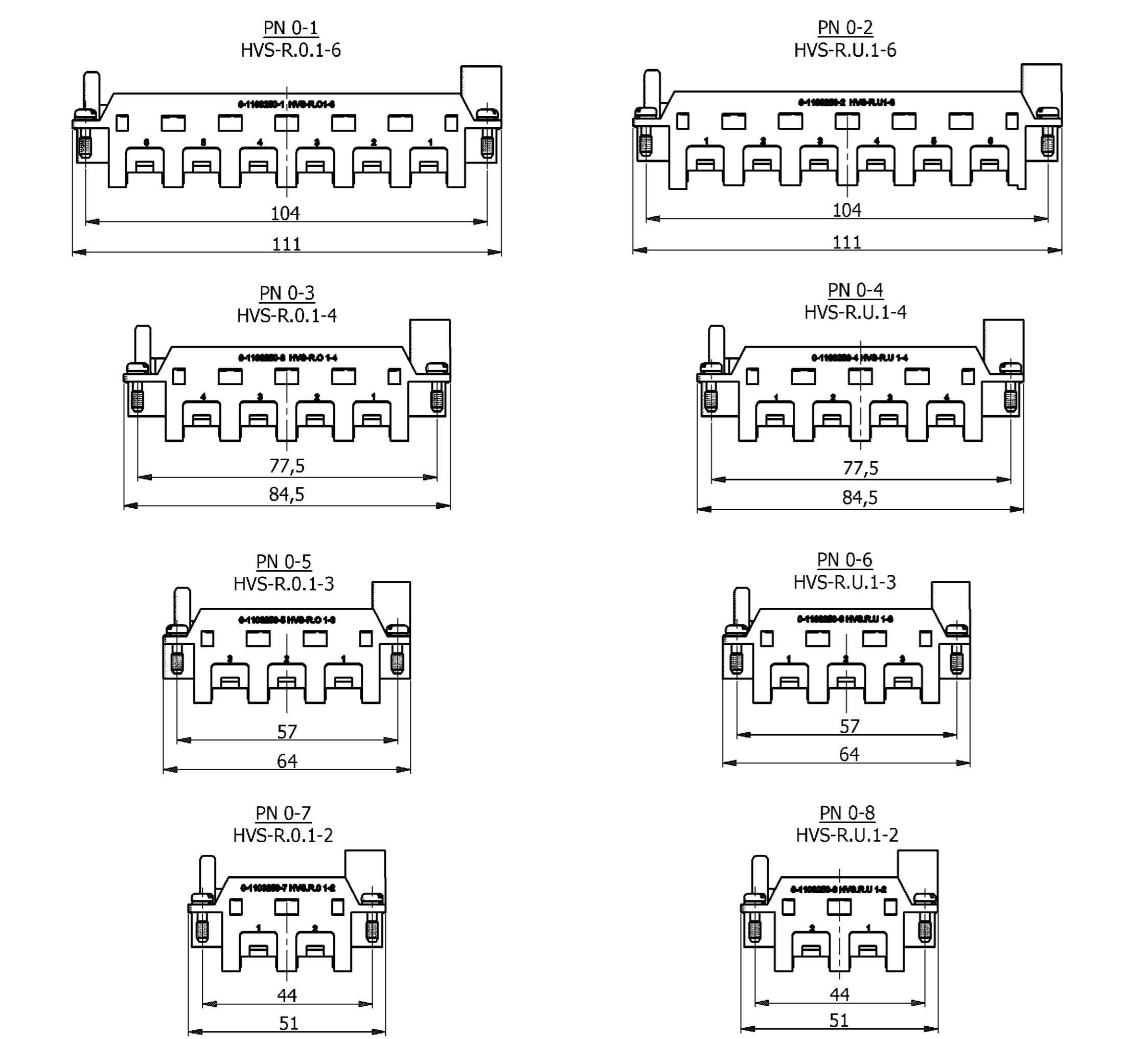
- [Email or Chat With Us](#)
- [Find a Phone Number](#)
- [Knowledge Base](#)
- [Manage Your Account](#)

Keep Me Informed

LOC	DIST	REVISIONS ÄNDERUNGEN			DATE	DWN	APVD
AI	-	P	LTR	DESCRIPTION BESCHREIBUNG			
PROJEKT NR. EGGMN04410	B1	DRAWING REWORKED ECR-012713			30.05.2007	GW	BR



- ### NOTES
- MODUL INSERTS: SERIES HVS SEE CATALOG PN: 889745
 - SUITABLE HOOD SIZE 3 TO 8: SERIES HB; HD; EMV; HF AND HIP CATALOG PN: 889745
 - MARKING OF POLARIZATION ACCORDING TO MARKINGS OF MODULE INSERTS
 - POSITION FOR CODING SET PN: 530341-1
 - PACKAGING: 10 SETS IN A CARTON, PRE MOUNTED



QTY.	DESCRIPTION	MATERIAL	SURFACE	COLOR	NOTE	ITEM
1	TORSION SPRING	STAINL. STEEL	---	---	DIA 6.6X0.5 - 2.5 WDG.	4
4	FIXING SCREW	STEEL	NICKEL PLATED	BLUE	M3X10,5	3
2	PAN HEAD SCREW	STEEL	NICKEL PLATED	---	M4*8	2
1	FRAME	ZINC	NICKEL PLATED	---	---	1

<small>THIS DRAWING IS A CONTROLLED DOCUMENT FOR AMP INCORPORATED. IT IS SUBJECT TO CHANGE AND THE CONTROLLING ENGINEERING ORGANIZATION SHOULD BE CONTACTED FOR THE LATEST REVISION. DIESES TECHNISCHES ZEICHNUNG WIRD HÄUFIG UND FÜR VERÄNDERUNGEN. DIESE TECHNISCHEN ZEICHNUNGEN SIND VORBEHALTEN. DEN JEWELIGS LETZTGLÜBTIGEN ÄNDERUNGSSTAND BEFOLGEN SIE AUF ANFRAGE.</small>		DWN	SCHNEIDER	16.02.2006	Tyco / Electronics AMP GmbH D - 53819 Neunkirchen
DIMENSIONS: DIMENSIONEN: mm		CHK	H.BRAUN	17.02.2006	
TOLERANCES UNLESS OTHERWISE SPECIFIED: ALLGEMEINTOLERANZEN n. ISO 8015 - mH-E n. ISO 2768 - # n. DIN 16901- #		APVD	T.SCHNURPFEL	17.02.2006	NAME
		PRODUCT SPEC. / PRODUKTSPEZ.		108-74075	ASSY MODULE FRAME SERIES HVS, SIZE 1-4
MATERIAL		APPLICATION SPEC. / VERARBEITUNGSSPEZ.		114-74080	SIZE
FINISH / OBERFLÄCHE / FARBE		WEIGHT / GEWICHT		0,001 KG	CAGE CODE
		CUSTOMER DRAWING / KUNDENZEICHNUNG		A2	DRAWING NO. / ZEICHNUNGS-NR.
				00779	RESTRICTED TO NUR FUER
				1103250	SCALE / MASSSTAB
				1:1	SHEET / BLATT
				1	OF / VON
				1	REV.
				B1	