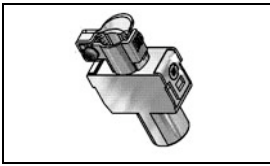


1103251-1 Product Details

[Share](#) [Print](#) [Email](#)



1103251-1

TE Internal Number: 1103251-1

Active

[View 3D PDF](#)

HTS Connectors and Accessories

Always EU RoHS/ELV Compliant (Statement of Compliance)

Product Highlights:

- HVS-MVB Series
- Insert
- Contact Configuration = Crimp Terminal
- Insert Style = Pin
- Male

[View all Features](#)

Quick Links

- ▶ [Pricing & Availability](#)
- ▶ [Search for Tooling](#)
- ▶ [Product Feature Selector](#)
- ▶ [Contact Us About This Product](#)

[Add to My Part List](#)

[Request Sample](#)

[Find Similar Products](#)

[Buy Product](#)

Documentation & Additional Information

Product Drawings:

- [Male insert \(PDF, English\)](#)

Catalog Pages/Data Sheets:

- [1308159-2 HVS High Variable System Modular System Ov... \(PDF, English\)](#)
- [HVS High Variable System - Modul-System Ubersicht \(PDF, German\)](#)

Product Specifications:

- None Available

Application Specifications:

- None Available

Instruction Sheets:

- None Available

CAD Files: (CAD Format & Compression Information)

- [2D Drawing \(DXF, Version A\)](#)
- [3D Model \(IGES, Version A\)](#)
- [3D Model \(STEP, Version A\)](#)

[List all Documents](#)

Additional Information:

- [Product Line Information](#)

Related Products:

- [Tooling](#)

Product Features (Please use the Product Drawing for all design activity)

Product Type Features:

- Product Type = Insert
- Gender = Male

Body Features:

- Insert Style = Pin
- Material = Zinc Alloy

Contact Features:

- Contact Configuration = Crimp Terminal
- Number of Poles = 4

Industry Standards:

- [RoHS/ELV Compliance](#) = RoHS compliant, ELV compliant
- [Lead Free Solder Processes](#) = Not relevant for lead free process
- [RoHS/ELV Compliance History](#) = Always was RoHS compliant

Packaging Features:

- [Packaging Method](#) = Loose Piece
- [Packaging Quantity](#) = 10

Other:

- [Series](#) = HVS-MVB
- [Brand](#) = HTS

Corporate Information

- [About TE](#)
- [Investors](#)
- [News Room](#)
- [Supplier Portal](#)
- [Careers](#)
- [Terms & Conditions](#)
- [Privacy Policy](#)
- [AODA Accessibility Policy](#)
- [AODA Multi-Year Accessibility Plan](#)

Quick Links

- [Distributor Inventory](#)
- [Product Cross Reference](#)
- [Documents & Drawings](#)
- [Product Compliance Support Center](#)
- [Site Map](#)

Customer Support

- [Email or Chat With Us](#)
- [Find a Phone Number](#)
- [Knowledge Base](#)
- [Manage Your Account](#)

Keep Me Informed

4

3

2

1

THIS DRAWING IS UNPUBLISHED
VERTRÄULICHE UNVERÖFFENTLICHE ZEICHNUNG

RELEASE FOR PUBLIKATION
FREI FUER VERÖFFENTLICHUNG

MATED WITH:
PASSEND ZU:

LOC AI
DIST -

REVISIONS
ÄNDERUNGEN

© COPYRIGHT 2000

BY AMP INCORPORATED

ALL RIGHTS RESERVED
ALLE RECHTE VORBEHALTEN

PROJEKT NR.
EGGMN04410

A2

CONTACT ARRANGEMENT ADDED ECR-06-022352

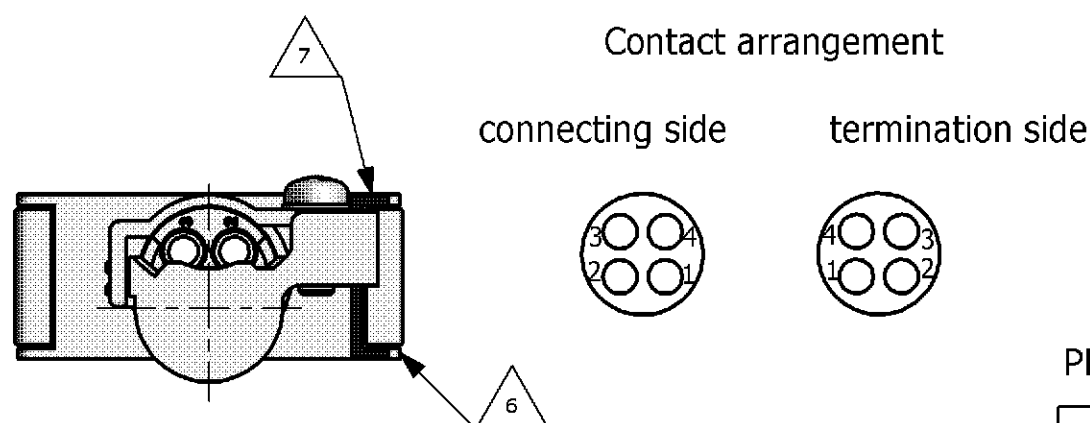
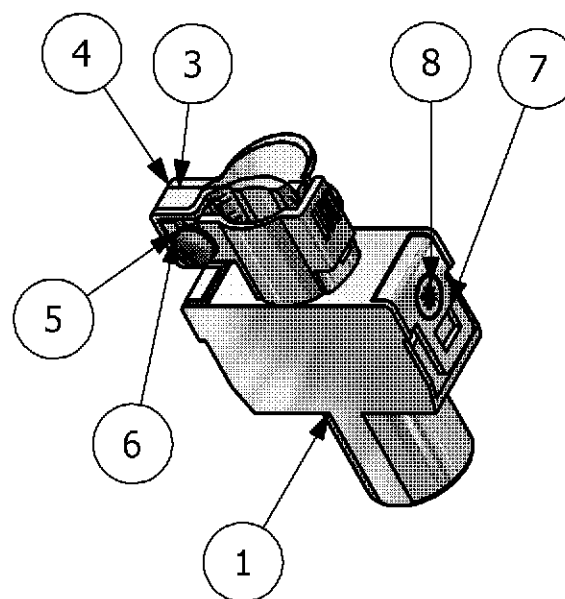
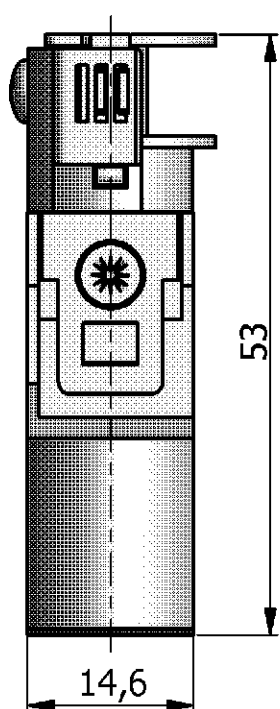
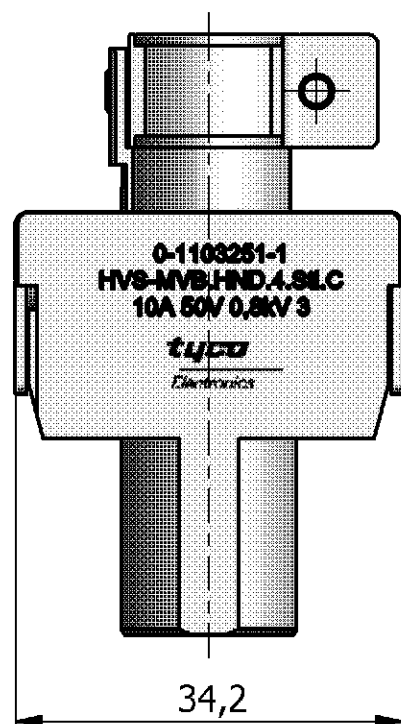
DATE 08.09.2006

DWN SR

APVD AG

NOTES

- 1 SUITABLE CRIMP CONTACTS: SERIES HN.D
CUSTOMER DRAWING: 1105050
OUTER DIMENSIONS OF INSULATION: MAX. Ø4 MM
- 2 SUITABLE MODULE FIXING FRAME: SERIES HVS SIZE 3 TO 8
CUSTOMER DRAWING: 1103250
- 3 SUITABLE INSERTION TOOL:
CUSTOMER DRAWING: 1102855
- 4 SUITABLE EXTRACTION TOOL:
CUSTOMER DRAWING: 1102855
- 5 STANDARDS:
DIN EN 61984; DIN EN 60664-1
- △6 POLARIZATION RIPS
- △7 MARKING OF POLARIZATION ACCORDING MARKING OF
MODULE FRAME
- 8 PACKAGING:
10 SETS IN A CARTON, PRE-MOUNTED



QTY.	DESCRIPTION	MATERIAL	SURFACE	COLOR	NOTE	ITEM
2	COUNTER SUNK SCREW	Standard	-	-	-	8
2	MOUNTING PLATE	ZINC	-	-	-	7
1	SCREW	STEEL	-	-	ISO 7045 A2	6
1	SPRING WASHER, A3	STEEL	ZINC PLATED	-	DIN 137	5
1	CLOSING 3-6 MM	ZINC	-	-	-	4
1	CLOSING 6-9 MM	ZINC	-	-	-	3
1	CONTACT INSERT MALE	PA6.6-GF25	-	BLACK	-	2
1	MALE INSERT	ZINC	-	-	-	1

PN 0-1 AS SHOWN

<small>THIS DRAWING IS A CONTROLLED DOCUMENT FOR AMP INCORPORATED. IT IS SUBJECT TO CHANGE AND THE CONTROLLING ENGINEERING ORGANIZATION SHOULD BE CONTACTED FOR THE LATEST REVISION. DIESSES ZEICHNUNGSDOKUMENT WIRD DURCH AMP INCORPORATED KONTROLLIERT. ÄNDERUNGEN, DIE DEM TECHNISCHEN FORTSCHRITT DIENEN, SIND VORBEHALTEN. DEN JEWELIS LETZTIGULTIGEN ÄNDERUNGSSTAND ERFAHREN SIE AUF ANFRAGE.</small>		DWN	16.02.2006	Tyco / Electronics AMP GmbH D - 53819 Neunkirchen
DIMENSIONS: DIMENSIONEN: mm		CHK	16.02.2006	
		APVD	16.02.2006	NAME MALE INSERT HVS-MVB.4.STI.C
TOLERANCES UNLESS OTHERWISE SPECIFIED: ALLGEMEINTOLERANZEN n. ISO 8015 - n. ISO 2768 - mH-E n. DIN 16901- 140 0 PLC # 1 PLC # 2 PLC # 3 PLC # ANGLES / WINKEL #		PRODUCT SPEC. PRODUKTSPEZ.	108-74078	
MATERIAL		APPLICATION SPEC. VERARBEITUNGSSPEZ.	114-74080	RESTRICTED TO NUR FUER
FINISH / OBERFLAECH / FARBE		WEIGHT GEWICHT	0,035 KG	SCALE MASSSTAB

PARTS LIST				
SIZE	CAGE CODE	DRAWING NO ZEICHNUNGS-NR.	REV. A2	
A3	00779	1103251	SCALE MASSSTAB	1:1
CUSTOMER DRAWING / KUNDENZEICHNUNG		SHEET BLATT	1	OF VON
		1	1	1

K:\Prod_Eng\3D-Modeling\1471-9\Rev\1103251.dwg