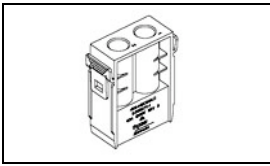


1103270-1 Product Details

[Share](#) [Print](#) [Email](#)



1103270-1

TE Internal Number: 1103270-1

Active

[View 3D PDF](#)

HTS Connectors and Accessories

Always EU RoHS/ELV Compliant (Statement of Compliance)

Product Highlights:

- HVS-HSK Series
- Insert
- Contact Configuration = Crimp Terminal
- Insert Style = Pin
- Male

[View all Features](#)

Quick Links

- ▶ [Pricing & Availability](#)
- ▶ [Search for Tooling](#)
- ▶ [Product Feature Selector](#)
- ▶ [Contact Us About This Product](#)

[Add to My Part List](#) [Request Sample](#) [Find Similar Products](#) [Buy Product](#)

Documentation & Additional Information

Product Drawings:

- [MALE INSERT HVS-HSK.2.STI.C \(PDF, English\)](#)

Catalog Pages/Data Sheets:

- [1308159-2 HVS High Variable System Modular System Ov... \(PDF, English\)](#)
- [HVS High Variable System - Modul-System Ubersicht \(PDF, German\)](#)

Product Specifications:

- None Available

Application Specifications:

- None Available

Instruction Sheets:

- None Available

CAD Files: (CAD Format & Compression Information)

- [2D Drawing \(DXF, Version C\)](#)
- [3D Model \(IGES, Version C\)](#)
- [3D Model \(STEP, Version C\)](#)

[List all Documents](#)

Additional Information:

- [Product Line Information](#)

Related Products:

- [Tooling](#)

Product Features (Please use the Product Drawing for all design activity)

Product Type Features:

- Product Type = Insert
- Gender = Male
- Finish = Light Gray

Body Features:

- Insert Style = Pin
- Material = PBT-GF

Contact Features:

- Contact Configuration = Crimp Terminal
- Number of Poles = 2

Industry Standards:

- [RoHS/ELV Compliance](#) = RoHS compliant, ELV compliant
- [Lead Free Solder Processes](#) = Not relevant for lead free process
- [RoHS/ELV Compliance History](#) = Always was RoHS compliant

Packaging Features:

- Packaging Method = Loose Piece

Other:

- Series = HVS-HSK
- Brand = HTS
- Comment = Contacts sold separately.

Corporate Information

- [About TE](#)
- [Investors](#)
- [News Room](#)
- [Supplier Portal](#)
- [Careers](#)
- [Terms & Conditions](#)
- [Privacy Policy](#)
- [AODA Accessibility Policy](#)
- [AODA Multi-Year Accessibility Plan](#)

Quick Links

- [Distributor Inventory](#)
- [Product Cross Reference](#)
- [Documents & Drawings](#)
- [Product Compliance Support Center](#)
- [Site Map](#)

Customer Support

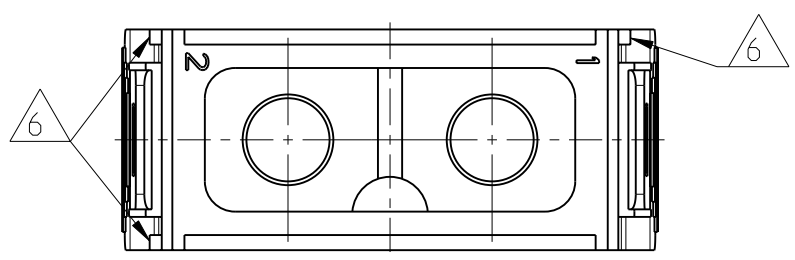
- [Email or Chat With Us](#)
- [Find a Phone Number](#)
- [Knowledge Base](#)
- [Manage Your Account](#)

Keep Me Informed

THIS DRAWING IS UNPUBLISHED. RELEASED FOR PUBLICATION 2000
 © COPYRIGHT 2000 BY TYCO ELECTRONICS CORPORATION. ALL RIGHTS RESERVED.

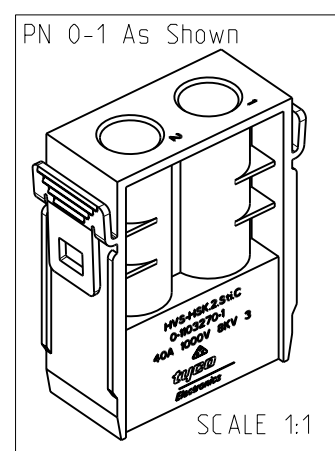
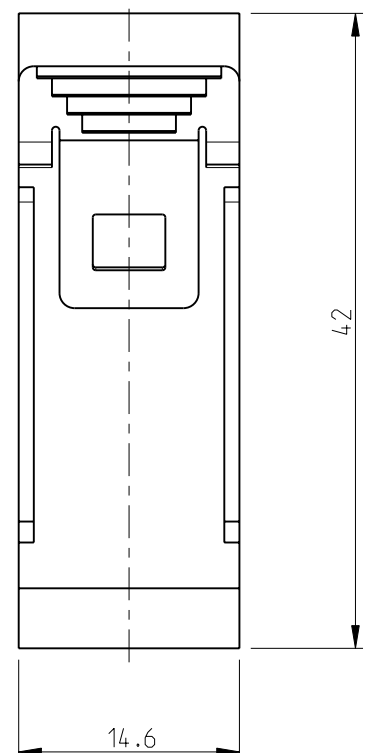
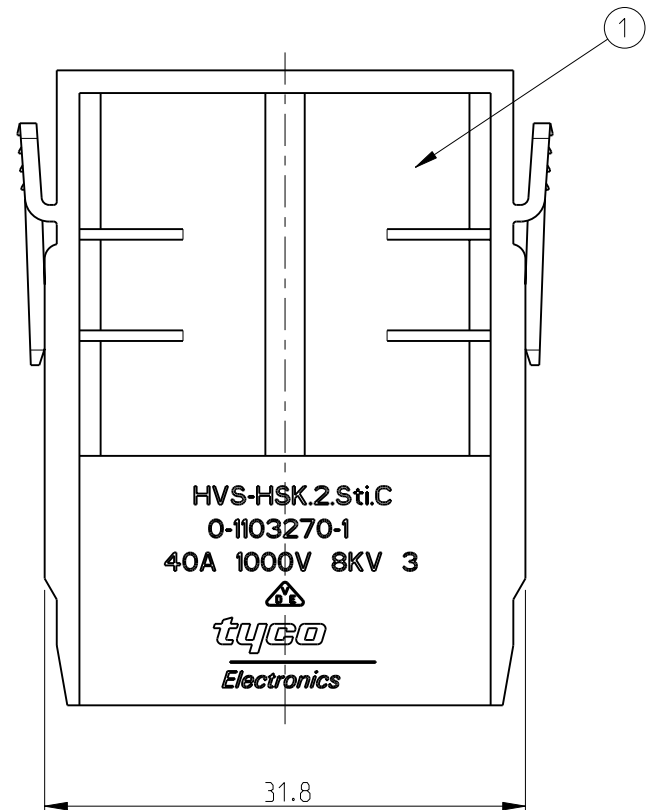
LOC	DIST	REVISIONS					
		P	LTR	DESCRIPTION	DATE	DWN	APVD
A1		C1		ECR-10-023156	11NOV2010	SR	OH

PN 0-1 As Shown Contact arrangement view from connecting side

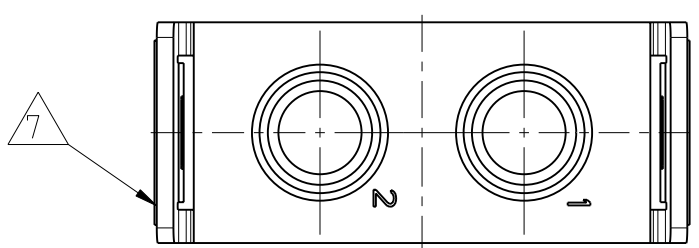


NOTES

- SUITABLE CRIMP CONTACTS: SERIES HSK
CUSTOMER DRAWING: 1108757
OUTER DIMENSIONS OF INSULATION: MAX. Ø8mm
- SUITABLE MODULE FIXING FRAME: SERIES HVS SIZE 3 TO 8
CUSTOMER DRAWING: 1103250
- SUITABLE INSERTION TOOL:
CUSTOMER DRAWING: 1102855
- SUITABLE EXTRACTION TOOL:
CUSTOMER DRAWING: 1102855
- STANDARDS:
DIN EN 61984; DIN EN 60664-1
- POLARIZATION RIPS
- MARKING OF POLARIZATION ACCORDING TO MARKING OF MODULE FRAME
- PACKAGING:
10 PIECES IN A CARTON



Contact arrangement view from termination side



QTY	DESCRIPTION	MATERIAL	COLOR	ITEM NO
1	MALE INSERT	PC-GF20	LIGHT GREY	1

PN 0-1 / HVS-HSK.2.Sti.C				
Tyco Electronics AMP GmbH 53757 Sankt Augustin, Germany		NAME		
		MALE INSERT HVS-HSK.2.STI.C		
SIZE	CAGE CODE	DRAWING NO	RESTRICTED TO	
A3	00779	C=1103270		
CUSTOMER DRAWING		SCALE 2:1	SHEET 1 OF 1	REV C1

THIS DRAWING IS A CONTROLLED DOCUMENT FOR TYCO ELECTRONICS CORPORATION IT IS SUBJECT TO CHANGE AND THE CONTROLLING ENGINEERING ORGANIZATION SHOULD BE CONTACTED FOR THE LATEST REVISION.

DIMENSIONS:	TOLERANCES UNLESS OTHERWISE SPECIFIED:
mm	ISO 2768
	DIN 150 2768 mH-E
	DIN 15901-120
	0 PLC ±
	1 PLC ±
	2 PLC ±
	3 PLC ±
	4 PLC ±
	ANGLES ±
MATERIAL	FINISH

DWN	20.02.2006
CHK	20.02.2006
APVD	20.02.2006
PRODUCT SPEC	T.SCHNURPFIL
APPLICATION SPEC	108-74081
WEIGHT	114-74083