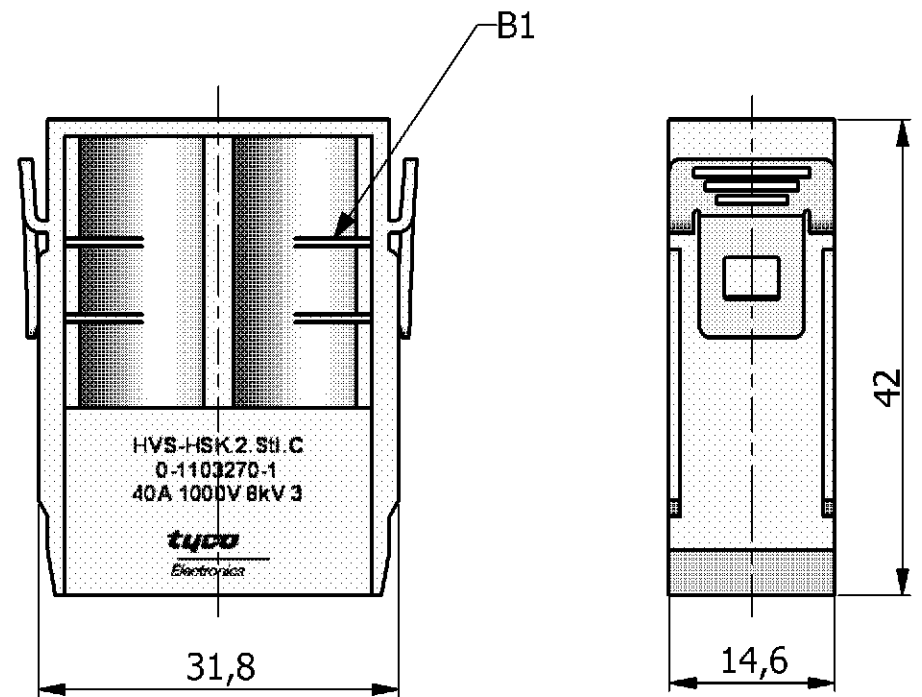
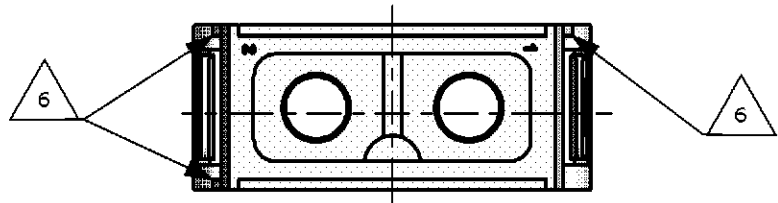
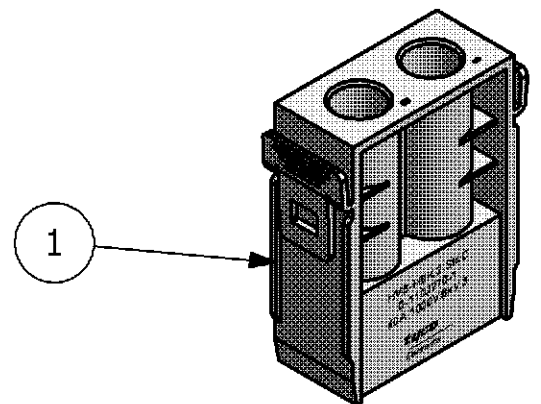


CONTACT ARRANGEMENT:
VIEW FROM CONNECTING SIDE

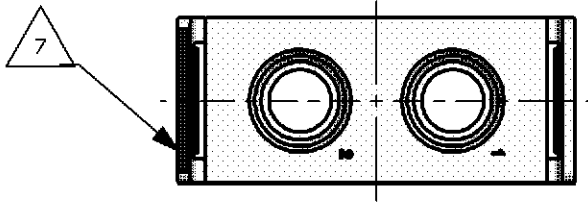


NOTES

- 1 SUITABLE CRIMP CONTACTS: SERIES HSK
CUSTOMER DRAWING: 1108757
OUTER DIMENSIONS OF INSULATION: MAX. Ø8 MM
- 2 SUITABLE MODULE FIXING FRAME: SERIES HVS SIZE 3 TO 8
CUSTOMER DRAWING: 1103250
- 3 SUITABLE INSERTION TOOL:
CUSTOMER DRAWING: 1102855
- 4 SUITABLE EXTRACTION TOOL:
CUSTOMER DRAWING: 1102855
- 5 STANDARDS:
DIN EN 61984; DIN EN 60664-1
- △6 POLARIZATION RIPS
- △7 MARKING OF POLARIZATION ACCORDING MARKING OF
MODULE FRAME
- 8 PACKAGING:
10 PIECES IN A CARTON



CONTACT ARRANGEMENT:
VIEW FROM TERMINATION SIDE



| | | | | | | |
|----------------------------------|-------------|----------|---------|------------|------|------|
| 1 | MALE INSERT | PBT-GF10 | - | LIGHT GREY | - | 1 |
| QTY. | DESCRIPTION | MATERIAL | SURFACE | COLOR | NOTE | ITEM |
| 0-1 / HVS-HSK.2.Sti.C PARTS LIST | | | | | | |

| | | | | | | |
|---|---|--|--|---------------------|--|---------------------------|
| THIS DRAWING IS A CONTROLLED DOCUMENT FOR AMP INCORPORATED. IT IS SUBJECT TO CHANGE AND THE CONTROLLING ENGINEERING ORGANIZATION SHOULD BE CONTACTED FOR THE LATEST REVISION. DIESSES ZEICHNUNGSDOKUMENT WIRD DURCH AMP INCORPORATED KONTROLLIERT. ÄNDERUNGEN, DIE DEM TECHNISCHEM FORTSCHRITT DIENEN, SIND VORBEHALTEN. DEN JEWELIGS LETZTIGULTIGEN ÄNDERUNGSSTAND ERFAHREN SIE AUF ANFRAGE. | | DWN SCHNEIDER 20.02.2006 | Tyco / Electronics AMP GmbH D - 53819 Neunkirchen | | | |
| DIMENSIONS: DIMENSIONEN: mm | TOLERANCES UNLESS OTHERWISE SPECIFIED: ALLGEMEINTOLERANZEN | CHK A.GAST 20.02.2006 | | | | |
| | n. ISO 8015 - n. ISO 2768 - mH-E n. DIN 16901- 140 0 PLC # 1 PLC # 2 PLC # 3 PLC # ANGLES / WINKEL # | APVD T.SCHNURPFEIL 20.02.2006 | NAME MALE INSERT | | | |
| MATERIAL | FINISH / OBERFLAECH / FARBE | PRODUCT SPEC. PRODUKTSPEZ. 108-74081 | HVS-HSK.2.STI.C | | | |
| | | APPLICATION SPEC. VERARBEITUNGSSPEZ. 114-74083 | SIZE A3 | CAGE CODE 00779 | DRAWING NO ZEICHNUNGS-NR. 1103270 | RESTRICTED TO NUR FUER |
| | | WEIGHT GEWICHT 0,001 KG | CUSTOMER DRAWING / KUNDENZEICHNUNG | | | |
| | | | SCALE MASSSTAB 1:1 | SHEET BLATT 1 | OF VON 1 | REV. B1 |