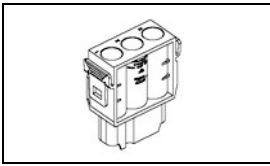


1103273-1 Product Details

[Share](#) [Print](#) [Email](#)



1103273-1

TE Internal Number: 1103273-1

Active

[View 3D PDF](#)

HTS Connectors and Accessories

Always EU RoHS/ELV Compliant (Statement of Compliance)

Product Highlights:

- HVS-HSK Series
- Insert
- Contact Configuration = Crimp Terminal
- Insert Style = Socket
- Female

[View all Features](#)

Quick Links

- ▶ [Pricing & Availability](#)
- ▶ [Search for Tooling](#)
- ▶ [Product Feature Selector](#)
- ▶ [Contact Us About This Product](#)

[Add to My Part List](#) [Request Sample](#) [Find Similar Products](#) [Buy Product](#)

Documentation & Additional Information

Product Drawings:

- [FEMALE INSERT HVS-HSK.3.BU.C \(PDF, English\)](#)

Catalog Pages/Data Sheets:

- [1308159-2 HVS High Variable System Modular System Ov... \(PDF, English\)](#)
- [HVS High Variable System - Modul-System Ubersicht \(PDF, German\)](#)

Product Specifications:

- None Available

Application Specifications:

- None Available

Instruction Sheets:

- None Available

CAD Files: (CAD Format & Compression Information)

- [2D Drawing \(DXF, Version C\)](#)
- [3D Model \(IGES, Version C\)](#)
- [3D Model \(STEP, Version C\)](#)

[List all Documents](#)

Additional Information:

- [Product Line Information](#)

Related Products:

- [Tooling](#)

Product Features (Please use the Product Drawing for all design activity)

Product Type Features:

- Product Type = Insert
- Gender = Female
- Finish = Light Gray

Body Features:

- Insert Style = Socket
- Material = PC-GF20

Contact Features:

- Contact Configuration = Crimp Terminal
- Number of Poles = 3

Industry Standards:

- [RoHS/ELV Compliance](#) = RoHS compliant, ELV compliant
- [Lead Free Solder Processes](#) = Not relevant for lead free process
- [RoHS/ELV Compliance History](#) = Always was RoHS compliant

Packaging Features:

- Packaging Method = Loose Piece

Other:

- Series = HVS-HSK
- Brand = HTS
- Comment = Contacts sold separately.

Corporate Information

- [About TE](#)
- [Investors](#)
- [News Room](#)
- [Supplier Portal](#)
- [Careers](#)
- [Terms & Conditions](#)
- [Privacy Policy](#)
- [AODA Accessibility Policy](#)
- [AODA Multi-Year Accessibility Plan](#)

Quick Links

- [Distributor Inventory](#)
- [Product Cross Reference](#)
- [Documents & Drawings](#)
- [Product Compliance Support Center](#)
- [Site Map](#)

Customer Support

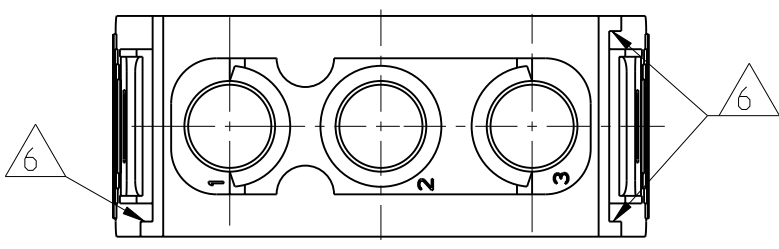
- [Email or Chat With Us](#)
- [Find a Phone Number](#)
- [Knowledge Base](#)
- [Manage Your Account](#)

Keep Me Informed

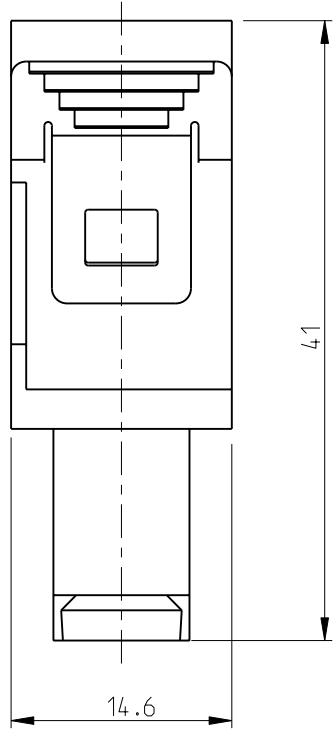
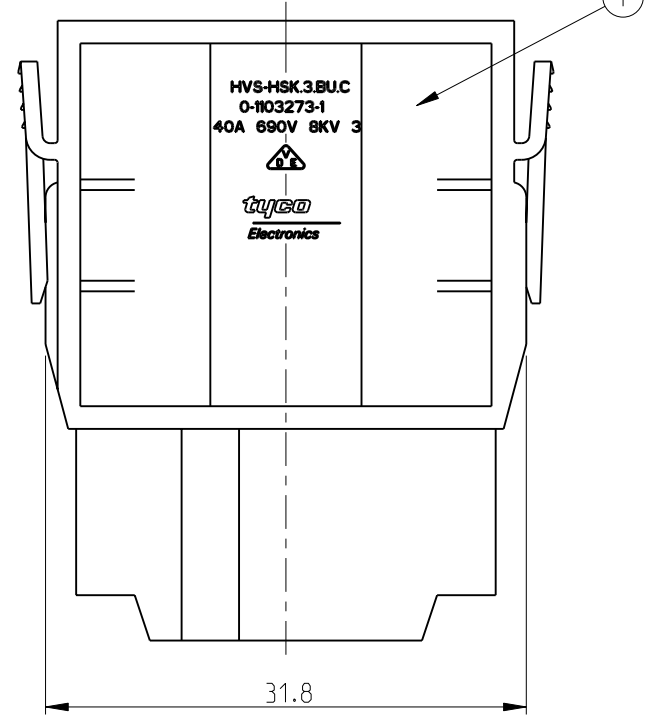
THIS DRAWING IS UNPUBLISHED. RELEASED FOR PUBLICATION 2000
 PN 0-1 As Shown
 © COPYRIGHT 2000 BY TYCO ELECTRONICS CORPORATION. ALL RIGHTS RESERVED.

LOC	DIST	REVISIONS					
		P	LTR	DESCRIPTION	DATE	DWN	APVD
A1		C1		ECR-10-023156	11NOV2010	SR	OH

Contact arrangement view from connecting side

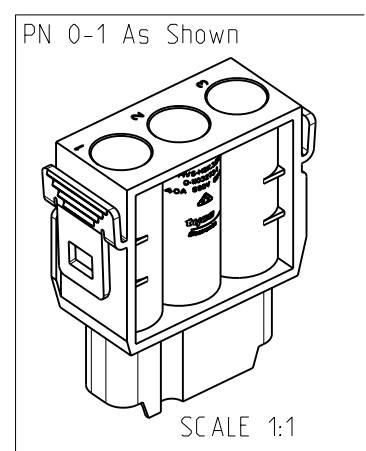


Print Image

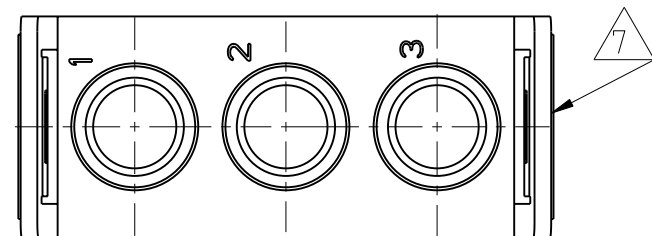


NOTES

- SUITABLE CRIMP CONTACTS: SERIES HSK
 CUSTOMER DRAWING: 1108756
 OUTER DIMENSIONS OF INSULATION: MAX. Ø8mm
 - SUITABLE MODULE FIXING FRAME: SERIES HVS SIZE 3 TO 8
 CUSTOMER DRAWING: 1103250
 - SUITABLE INSERTION TOOL:
 CUSTOMER DRAWING: 1102855
 - SUITABLE EXTRACTION TOOL:
 CUSTOMER DRAWING: 1102855
 - STANDARDS:
 DIN EN 61984; DIN EN 60664-1
- 6 POLARIZATION RIPS
 7 MARKING OF POLARIZATION ACCORDING TO MARKING OF MODULE FRAME
 8 PACKAGING:
 10 PIECES IN A CARTON



Contact arrangement view from termination side



	1	8	9	
1	FEMALE INSERT	PC-GF20	LYGHT GREY	1
0-1	DESCRIPTION	MATERIAL	COLOR	ITEM NO
HVS-HSK.3.Bu.C				

<small>THIS DRAWING IS A CONTROLLED DOCUMENT FOR TYCO ELECTRONICS CORPORATION IT IS SUBJECT TO CHANGE AND THE CONTROLLING ENGINEERING ORGANIZATION SHOULD BE CONTACTED FOR THE LATEST REVISION.</small>		DWN	20.02.2006	Tyco Electronics Tyco Electronics AMP GmbH 53757 Sankt Augustin, Germany	
DIMENSIONS:		CHK	20.02.2006		
mm		APVD	20.02.2006		
		PRODUCT SPEC	108-74081		
<small>TOLERANCES UNLESS OTHERWISE SPECIFIED: ISO 8075 DIN ISO 2768 mH-E DIN 16901-120</small>		APPLICATION SPEC	114-74083	NAME	FEMALE INSERT HVS-HSK.3.BU.C
0 PLC ± 1 PLC ± 2 PLC ± 3 PLC ± 4 PLC ± ANGLES ±		WEIGHT		SIZE	A3
MATERIAL		FINISH		CAGE CODE	00779
8		9		DRAWING NO	1103273
		CUSTOMER DRAWING		RESTRICTED TO	
				SCALE	2:1
				SHEET	1 OF 1
				REV	C1