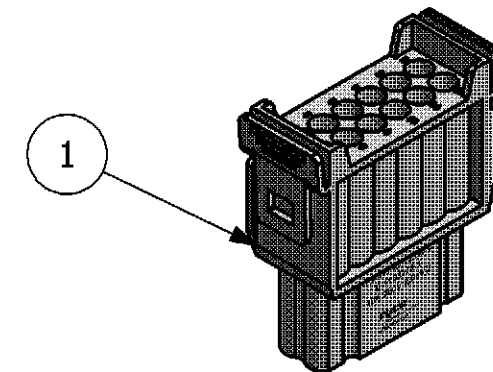
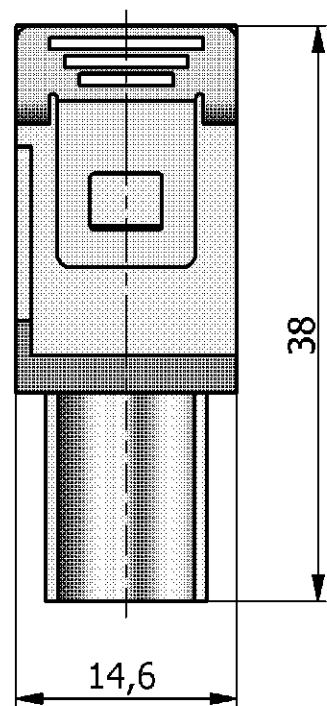
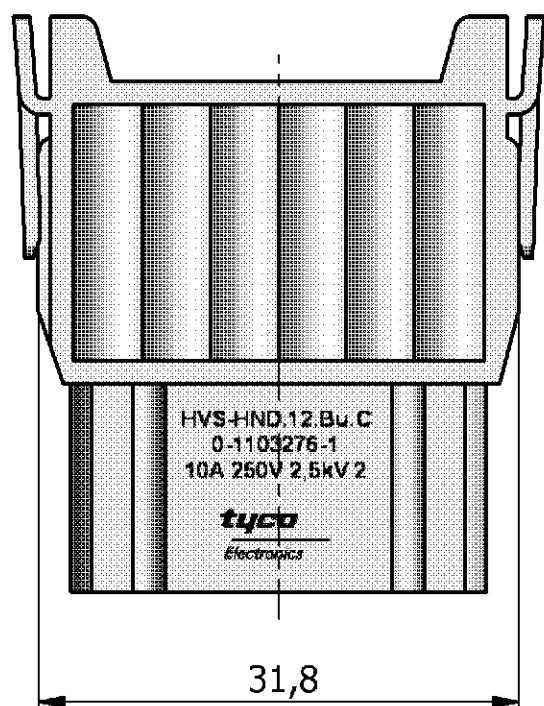
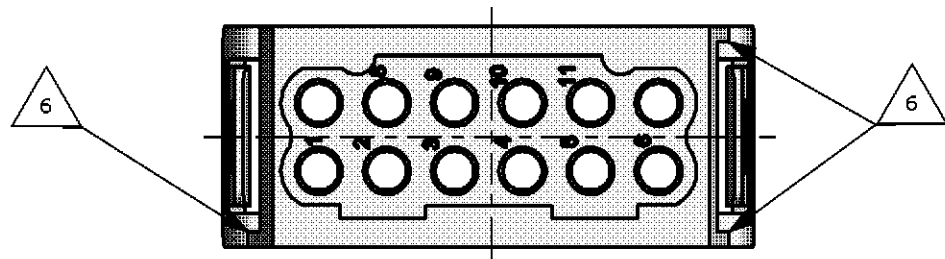


NOTES

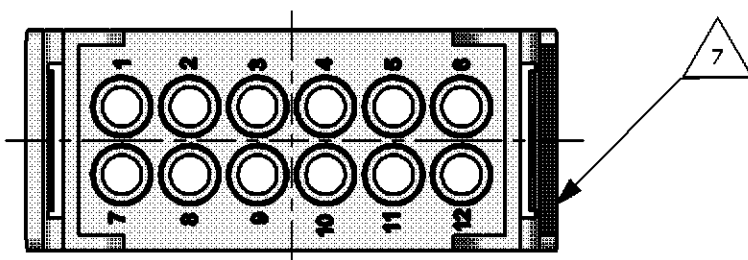
- 1 SUITABLE CRIMP CONTACTS: SERIES HN.D
CUSTOMER DRAWING: 1105051
OUTER DIMENSIONS OF INSULATION: MAX. Ø4 MM
- 2 SUITABLE MODULE FIXING FRAME: SERIES HVS SIZE 3 TO 8
CUSTOMER DRAWING: 1103250
- 3 SUITABLE INSERTION TOOL:
CUSTOMER DRAWING: 1102855
- 4 SUITABLE EXTRACTION TOOL:
CUSTOMER DRAWING: 1102855
- 5 STANDARDS:
DIN EN 61984; DIN EN 60664-1
- 6 POLARIZATION RIPS
- 7 MARKING OF POLARIZATION ACCORDING MARKING OF
MODULE FRAME
- 8 PACKAGING:
10 PIECES IN A CARTON

CONTACT ARRANGEMENT:
VIEW FROM CONNECTING SIDE



0-1 as shown
HVS-HND.12.Bu.C

CONTACT ARRANGEMENT:
VIEW FROM TERMINATION SIDE



1	FEMALE INSERT	PBT-GF10	-	GREY	-	1
QTY.	DESCRIPTION	MATERIAL	SURFACE	COLOR	NOTE	ITEM

PARTS LIST

THIS DRAWING IS A CONTROLLED DOCUMENT FOR AMP INCORPORATED. IT IS SUBJECT TO CHANGE AND THE CONTROLLING ENGINEERING ORGANIZATION SHOULD BE CONTACTED FOR THE LATEST REVISION. DIESSES ZEICHNUNGSDOKUMENT WIRD DURCH AMP INCORPORATED KONTROLLIERT. ÄNDERUNGEN, DIE DEM TECHNISCHEN FORTSCHRITT DIENEN, SIND VORBEHALTEN. DEN JEWEILS LETZTIGULTIGEN ÄNDERUNGSSTAND ERFAHREN SIE AUF ANFRAGE.	DWN SCHNEIDER 20.02.2006	tyco Electronics	Tyco / Electronics AMP GmbH D - 53819 Neunkirchen			
DIMENSIONS: DIMENSIONEN: mm	CHK A.GAST 20.02.2006		APVD T.SCHNURPFEIL 20.02.2006	NAME FEMALE INSERT HVS-HND.12.BU.C		
TOLERANCES UNLESS OTHERWISE SPECIFIED: ALLGEMEINTOLERANZEN	PRODUCT SPEC. PRODUKTSPEZ. 108-74083	APPLICATION SPEC. VERARBEITUNGSSPEZ. 114-74085	SIZE A3	CAGE CODE 00779	DRAWING NO ZEICHNUNGS-NR. 1103276	RESTRICTED TO NUR FUER
0 PLC # 1 PLC # 2 PLC # 3 PLC # ANGLES / WINKEL #	MATERIAL	FINISH / OBERFLAECH / FARBE	WEIGHT GEWICHT 0,001 KG	CUSTOMER DRAWING / KUNDENZEICHNUNG		
			SCALE MASSSTAB 1:1	SHEET BLATT 1	OF VON 1	REV. A1

\\VBE02\PROD\Data\Prod_Eng\310-Elblonk\HVS\Erkennung\K0-1\31C\1103276.dwg