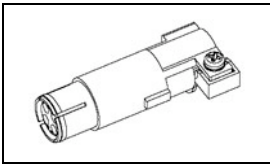


1103286-1 Product Details

[Share](#) [Print](#) [Email](#)



1103286-1

TE Internal Number: 1103286-1

Active

[View 3D PDF](#)

HTS Connectors and Accessories

Always EU RoHS/ELV Compliant (Statement of Compliance)

Product Highlights:

- HVS-HN Series, HVS-TX Series
- Accessory
- Accessory Type = Shield Barrel
- Contact Configuration = Socket
- Female

[View all Features](#)

Quick Links

- ▶ [Pricing & Availability](#)
- ▶ [Search for Tooling](#)
- ▶ [Product Feature Selector](#)
- ▶ [Contact Us About This Product](#)

[Add to My Part List](#) [Request Sample](#) [Find Similar Products](#) [Buy Product](#)

Documentation & Additional Information

Product Drawings:

- [SHIELD BARREL FEMALE HVS-TX.HND.4.BU \(PDF, English\)](#)

Catalog Pages/Data Sheets:

- None Available

Product Specifications:

- None Available

Application Specifications:

- None Available

Instruction Sheets:

- None Available

CAD Files: [\(CAD Format & Compression Information\)](#)

- [2D Drawing \(DXF, Version A\)](#)
- [3D Model \(IGES, Version A\)](#)
- [3D Model \(STEP, Version A\)](#)

[List all Documents](#)

Additional Information:

- [Product Line Information](#)

Related Products:

- [Tooling](#)

Product Features (Please use the Product Drawing for all design activity)

Product Type Features:

- Product Type = Accessory
- Accessory Type = Shield Barrel
- Gender = Female

Body Features:

- Material = Zinc Alloy
- Plating Material = Zinc

Contact Features:

- Contact Configuration = Socket
- Number of Poles = 4
- Corrosion Protected = No

Industry Standards:

- [RoHS/ELV Compliance](#) = RoHS compliant, ELV compliant
- [Lead Free Solder Processes](#) = Not relevant for lead free process
- [RoHS/ELV Compliance History](#) = Always was RoHS compliant

Packaging Features:

- Packaging Method = Loose Piece

Other:

- Series = HVS-HN, HVS-TX
- Brand = HTS
- Comment = Contacts sold separately.

Corporate Information

- [About TE](#)
- [Investors](#)
- [News Room](#)
- [Supplier Portal](#)
- [Careers](#)
- [Terms & Conditions](#)
- [Privacy Policy](#)
- [AODA Accessibility Policy](#)
- [AODA Multi-Year Accessibility Plan](#)

Quick Links

- [Distributor Inventory](#)
- [Product Cross Reference](#)
- [Documents & Drawings](#)
- [Product Compliance Support Center](#)
- [Site Map](#)

Customer Support

- [Email or Chat With Us](#)
- [Find a Phone Number](#)
- [Knowledge Base](#)
- [Manage Your Account](#)

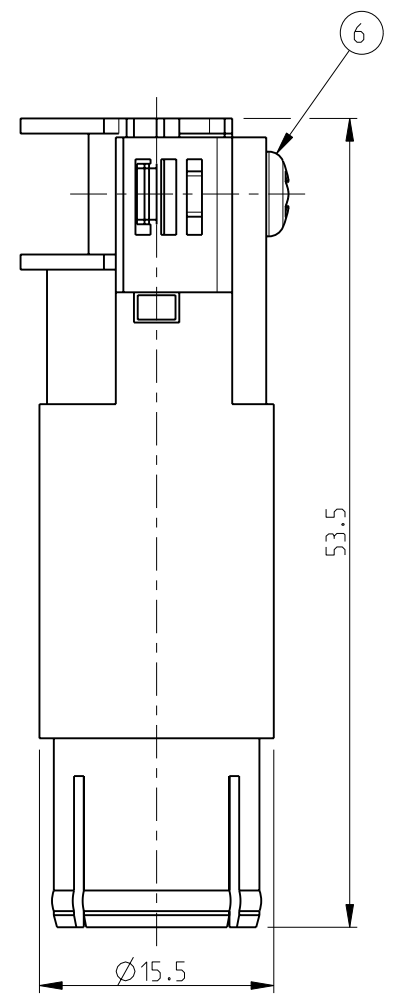
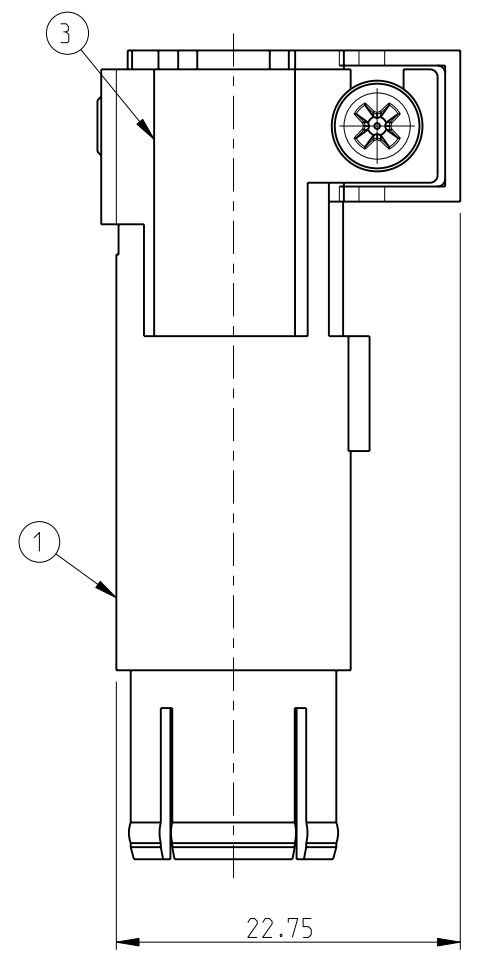
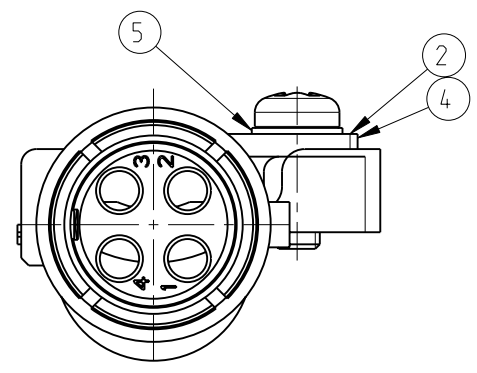
Keep Me Informed



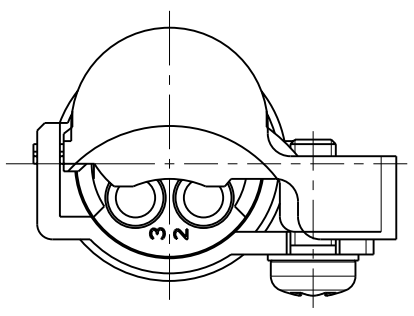
THIS DRAWING IS UNPUBLISHED. RELEASED FOR PUBLICATION 2000
 © COPYRIGHT 2000 BY TYCO ELECTRONICS CORPORATION. ALL RIGHTS RESERVED.

LOC	DIST	REVISIONS			
P	LTR	DESCRIPTION	DATE	DWN	APVD
A1					
	A2	RELEASED ASPER ECR-09-012227	29-May-09	GG	TS

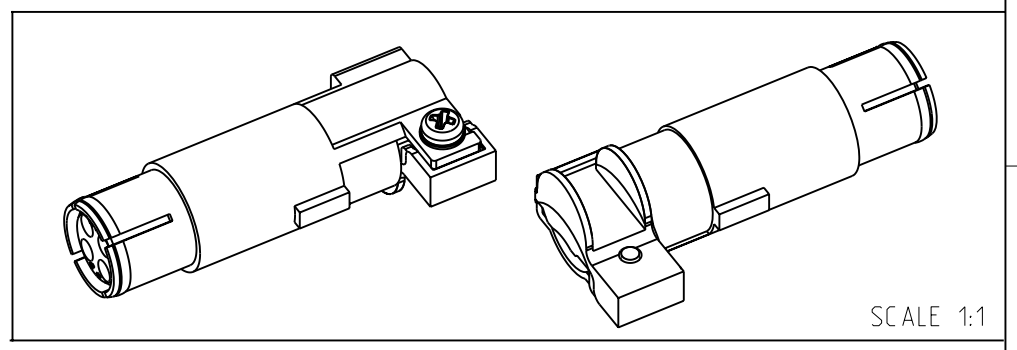
CONTACT ARRANGEMENT:
VIEW FROM CONNECTING SIDE



CONTACT ARRANGEMENT:
VIEW FROM TERMINATION SIDE



- NOTES
- SUITABLE CRIMP CONTACTS: SERIES HN.D
CUSTOMER DRAWING : 1105051
OUTER DIMENSIONS OF INSULATION:MAX.Ø4mm
 - SUITABLE MODULE FIXING FRAME: SERIES HVS SIZE 3 TO 8
CUSTOMER DRAWING: 1103250
 - SUITABLE INSERTION TOOL:
CUSTOMER DRAWING: 1102855
 - SUITABLE EXTRACTION TOOL:
CUSTOMER DRAWING: 1102855
 - STANDARDS:
DIN EN 61984; DIN EN 60664-1
 - POLARIZATION RIBS
 - MARKING OF POLARIZATION ACCORDING TO MARKING OF MODULE FRAME
 - PACKAGING:
10 SETS IN A CARTON,PRE-MOUNTED



PN 0-1 AS SHOWN

PN 0-1	DESCRIPTION	MATERIAL	SURFACE	COLOR	NOTE	ITEM NO
1	SCREW PAN HEAD	STEEL			ISO 7045 A2	6
1	SPRING WASHER,A3	STEEL	ZINC PLATED		DIN 137	5
1	CLOSING 3-6mm	ZINC				4
1	CONTACT INSERT FEMALE	PA66-GF25		BLACK		3
1	CLOSING 6-9mm	ZINC				2
1	SHIELD BARREL FEMALE	ZINC	ZINC PLATED			1

HVS-TX.HN.D.4.BU.C

THIS DRAWING IS A CONTROLLED DOCUMENT FOR TYCO ELECTRONICS CORPORATION IT IS SUBJECT TO CHANGE AND THE CONTROLLING ENGINEERING ORGANIZATION SHOULD BE CONTACTED FOR THE LATEST REVISION.		DWN 21.02.2006 SCHNEIDER		Tyco Electronics AMP GmbH 53757 Sankt Augustin, Germany	
DIMENSIONS: mm		TOLERANCES UNLESS OTHERWISE SPECIFIED: ISO 8075 DIN ISO 2768 mH-E DIN 16901-120		CHK 21.02.2006 A.GAST	
		0 PLC ± 1 PLC ± 2 PLC ± 3 PLC ± 4 PLC ± ANGLES ±		APVD 21.02.2006 T.SCHNURPFEL	
MATERIAL		FINISH		PRODUCT SPEC 108-74086	
				NAME SHIELD BARREL FEMALE HVS-TX.HND.4.BU	
				APPLICATION SPEC 114-74088	
				SIZE A3 CAGE CODE 00779 DRAWING NO 1103286 RESTRICTED TO	
				WEIGHT	
				CUSTOMER DRAWING SCALE 5:1 SHEET 1 OF 1 REV A2	