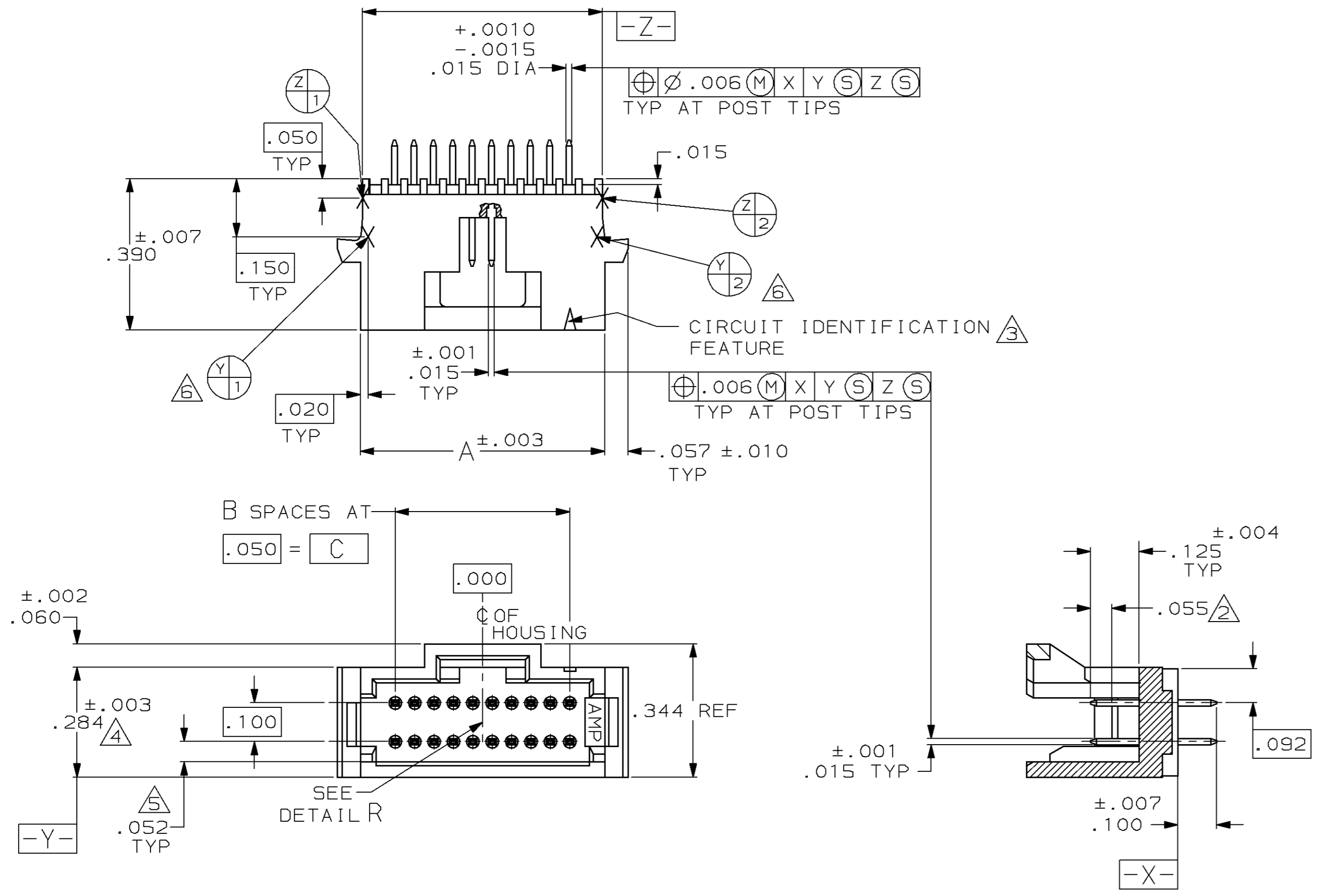
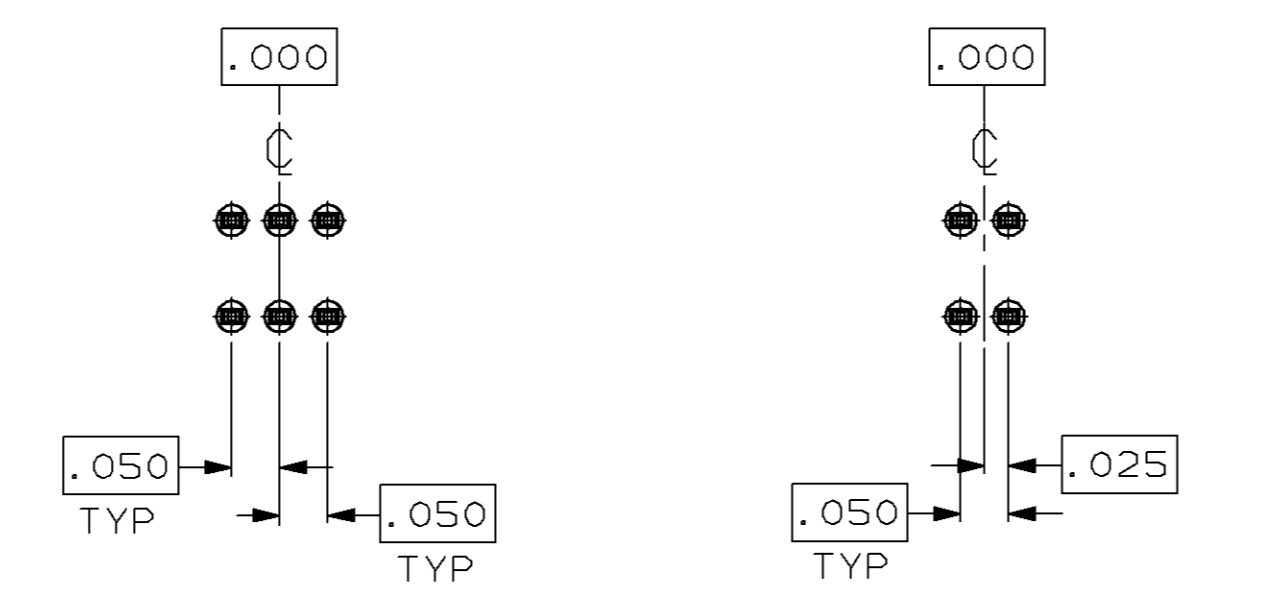
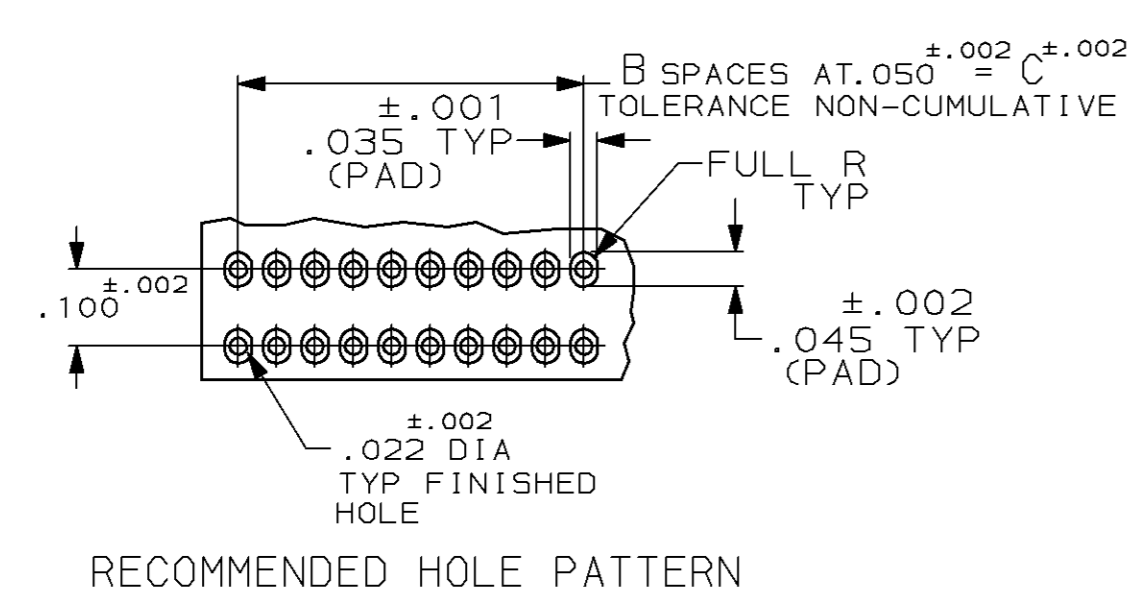
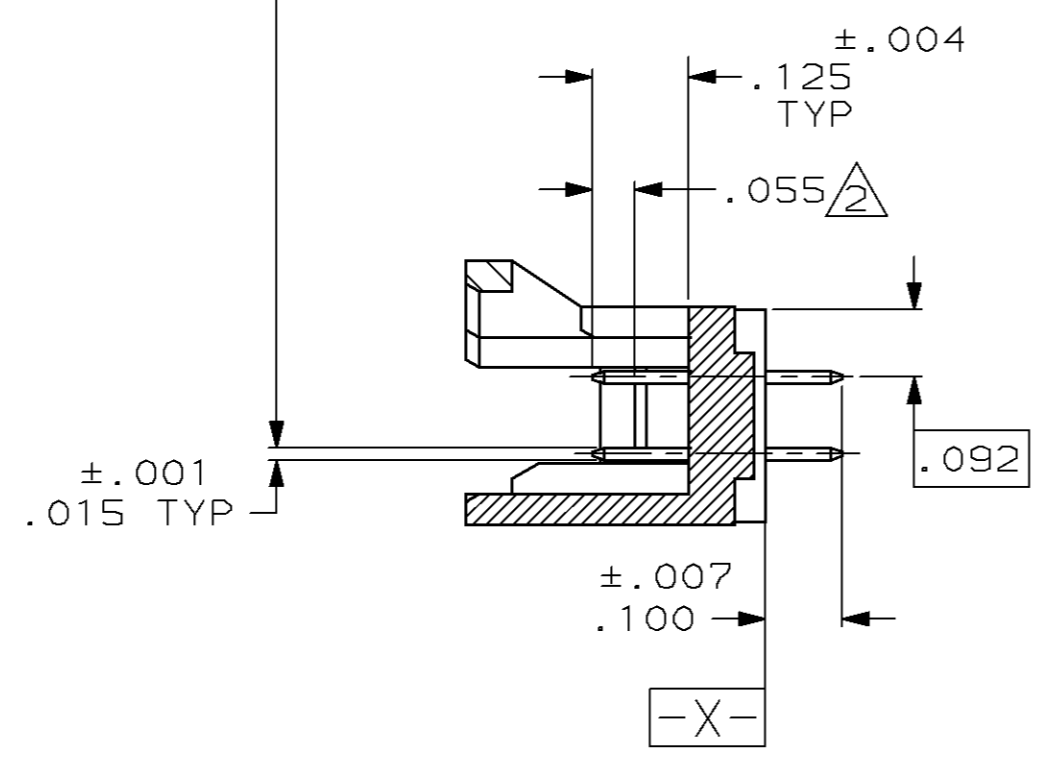
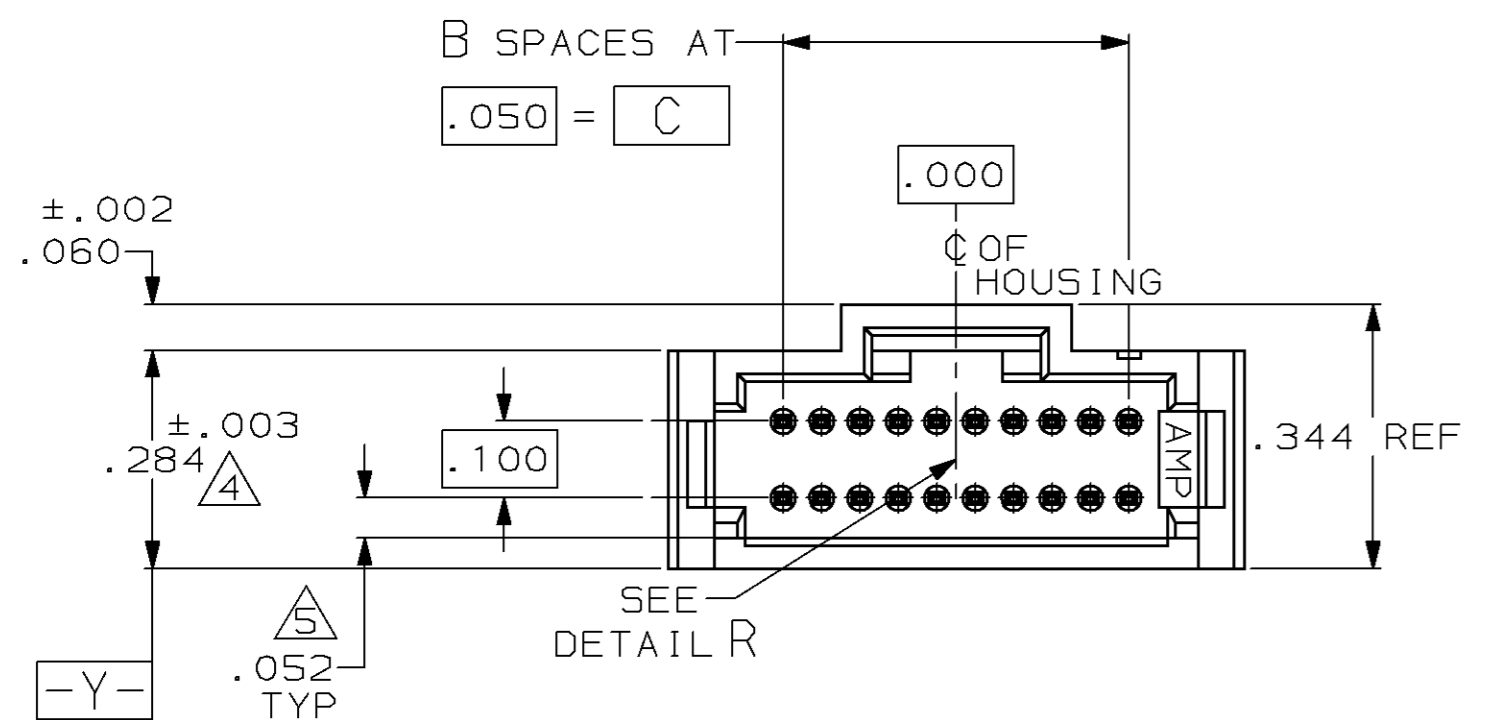


LOC		DIST		REVISIONS				
AD	39	P	F	ZONE	LTR	DESCRIPTION	DATE	APPD
				G		REV PER ECN 2094	9-9-88	DLC
				H		REV LOC & DIST AD-4171	3-90	BF
				J		REV PER 0010-1574-93 TT	11-16-93	DG
				K		REV PER EC 0010-1222-93	10/1/94	DS
				L		REV PER 0621-0178-98	27AUG98	DS



- ① CONTACT AREA PLATED WITH .000030 MIN GOLD; SOLDER TAILS PLATED WITH .000150 MIN TIN-LEAD, ALL OVER .000050 MIN NICKEL
- ② POINT OF MEASUREMENT FOR PLATING THICKNESS
- ③ CIRCUIT IDENTIFICATION FEATURE OMITTED ON 8,10,12 AND 14 POSN HEADER ASSEMBLIES
- ④ DIMENSION APPLIES AT BASE OF SHROUD
- ⑤ THE NOTED DIMENSIONS APPLY AT THE INTERSECTION OF THE POST AND HOUSING
- ⑥  $\frac{Y}{3}$   $\frac{Y}{4}$  ARE LOCATED THE SAME AS  $\frac{Y}{1}$   $\frac{Y}{2}$  EXCEPT ON OPPOSITE SIDE OF HOUSING.



BASIC DIMENSIONS FOR ODD NO OF SPACES (SEE TABLE)

DETAIL R

	C	B	A	NO OF POS	PART NUMBER
	1.650	33	1.830	68	1-104068-8
	2.450	49	2.630	100	1-104068-7
	1.950	39	2.130	80	1-104068-6
	1.750	35	1.930	72	1-104068-5
	1.050	21	1.230	44	1-104068-4
	.800	16	.980	34	1-104068-3
	.600	12	.780	26	1-104068-2
	.550	11	.730	24	1-104068-1
	.350	7	.530	16	1-104068-0
	.300	6	.480	14	104068-9
	.250	5	.430	12	104068-8
OBSOLETE	.150	3	.330	8	104068-7
	1.450	29	1.630	60	104068-6
	1.200	24	1.380	50	104068-5
	.950	19	1.130	40	104068-4
	.700	14	.880	30	104068-3
	.200	4	.380	10	104068-2
	.450	9	.630	20	104068-1

DO NOT SCALE PRINT. UNLESS SPECIFIED DIMENSIONS IN INCHES TOLERANCES ON:		DR 10-3-88 D. CLOUSER		AMP INCORPORATED Harrisburg, Pa. 17105	
2 PLC DEC $\pm$	-	CHK 10-3-88 T. ZOLA		NAME	
3 PLC DEC $\pm$	-	APPD 10-3-88 T. ZOLA		HEADER ASSEMBLY, VERTICAL SHROUDED, DOUBLE ROW W/SIDE & END LATCHES, AMPMODU® System 50	
ANGLES $\pm$	-	APPD 10-3-88 C. SNYDER		SIZE	FSCM NO
MATERIAL HOUSING: THERMOPLASTIC COLOR-BLACK POST: COPPER ALLOY FINISH		PRODUCT SPEC 108-1093		D	00779
APPLICATION SPEC 114-25031		SCALE	4:1	DRAWING NO	104068
WEIGHT				SHEET	1 OF 1