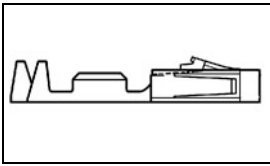


## 1-104479-1 Product Details

[Share](#) [Print](#) [Email](#)



1-104479-1

TE Internal Number: 1-104479-1  
Active

[View 3D PDF](#)

### .100 AMPMODU Headers, Housings & Contacts

Always EU RoHS/ELV Compliant (Statement of Compliance)

#### Product Highlights:

- Contact
- Contact Type = Socket
- Crimp Termination Method to Wire/Cable
- Applies To Wire/Cable
- Wire Insulation Diameter = .64 - 1.52 mm

[View all Features](#)

### Quick Links

- ▶ [Pricing & Availability](#)
- ▶ [Search for Tooling](#)
- ▶ [Product Feature Selector](#)
- ▶ [Contact Us About This Product](#)

[Add to My Part List](#) [Request Sample](#) [Find Similar Products](#) [Buy Product](#)

### Documentation & Additional Information

#### Product Drawings:

- [CONTACT, CRIMP SNAP-IN AMPMODU SHORT POINT, 20-24 AWG \(PDF, English\)](#)

#### Catalog Pages/Data Sheets:

- [AMPMODU\\_INTERCONNECTION\\_SYSTEM\\_SECTIONS5\\_CONT \(PDF, English\)](#)

#### Product Specifications:

- [Connector, Short Point Receptacle Contact \(PDF, English\)](#)

#### Application Specifications:

- [AMPMODU Short Point Contacts and Housings \(PDF, English\)](#)

#### Instruction Sheets:

- None Available

#### CAD Files: (CAD Format & Compression Information)

- [2D Drawing \(DXF, Version R\)](#)
- [3D Model \(IGES, Version R\)](#)
- [3D Model \(STEP, Version R\)](#)

[List all Documents](#)

#### Additional Information:

- [Product Line Information](#)

#### Related Products:

- [Tooling](#)

### Product Features (Please use the Product Drawing for all design activity)

#### Product Type Features:

- Product Type = Contact
- Wire Insulation Diameter (mm [in]) = 0.64 - 1.52 [0.025 - 0.060]
- Connector Series = Short Point
- With Insulation Support = Yes
- Applied Pressure = Standard

#### Electrical Characteristics:

- Contact - Rated Current (A) = 3
- Voltage Rating (VAC) = 300
- Termination Resistance (mΩ) = 12
- Insulation Resistance (MΩ) = 5,000
- Dielectric Withstanding Voltage (V) = 750

#### Termination Features:

- Termination Method to Wire/Cable = Crimp
- Crimp Area Plating = Tin

#### Body Features:

- Wire Range (mm [AWG]) = 0.20-0.60<sup>2</sup> [24-20]

#### Contact Features:

- Contact Type = Socket
- Contact Plating, Mating Area, Material = Tin
- Contact Base Material = Copper Alloy C7025

#### Industry Standards:

- RoHS/ELV Compliance = RoHS compliant, ELV compliant
- Lead Free Solder Processes = Not relevant for lead free process
- RoHS/ELV Compliance History = Always was RoHS compliant
- Approved Standards = UL E28476, CSA LR7189

#### Environmental:

- Operating Temperature (°C) = -65 - +105

#### Conditions for Usage:

- Applies To = Wire/Cable

#### Packaging Features:

- Packaging Method = Loose Piece

#### Other:

- Brand = AMP

### Corporate Information

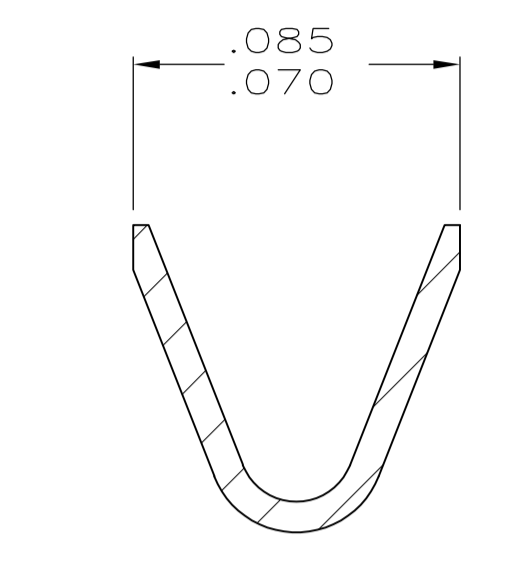
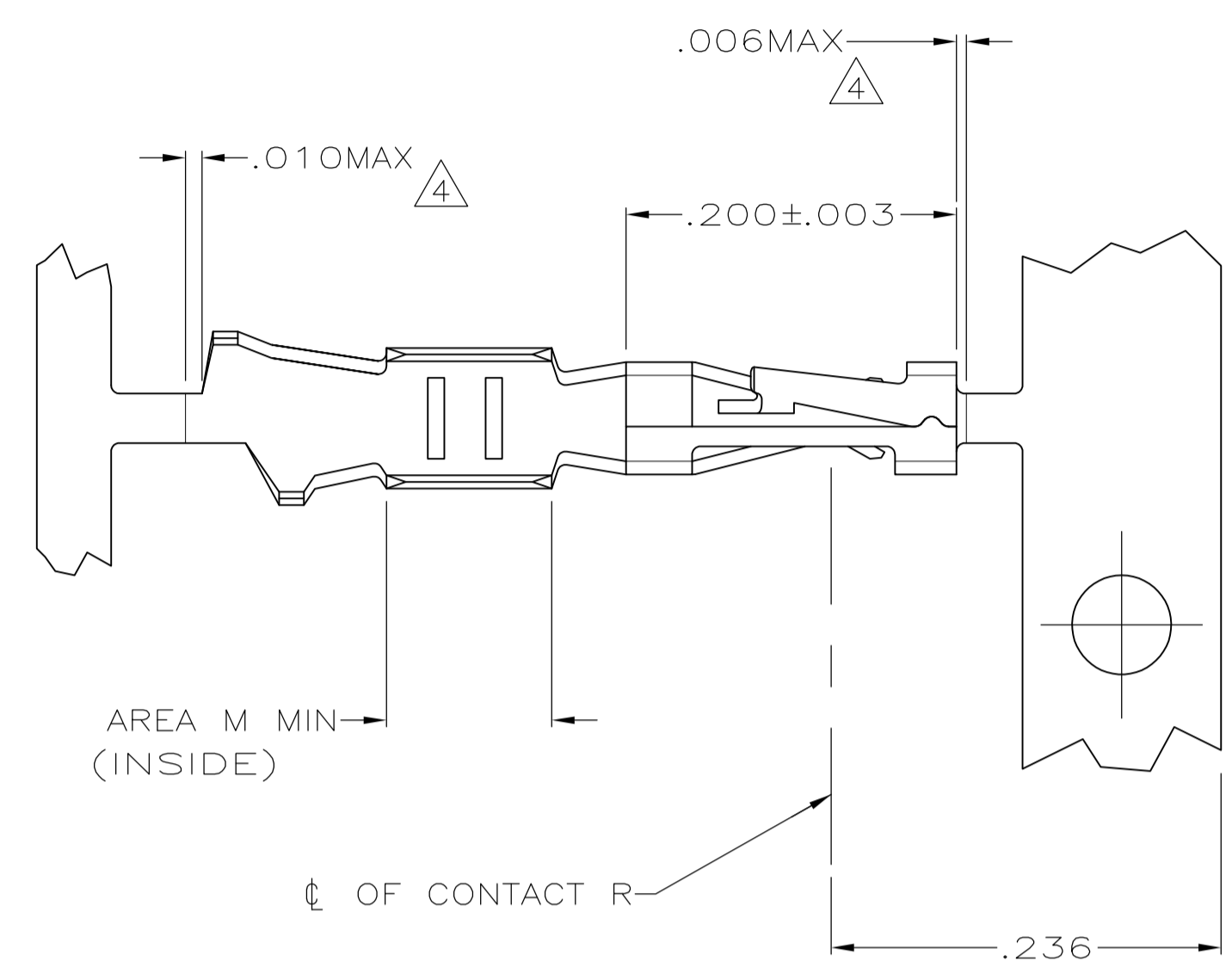
[About TE](#)  
[Investors](#)  
[News Room](#)

### Quick Links

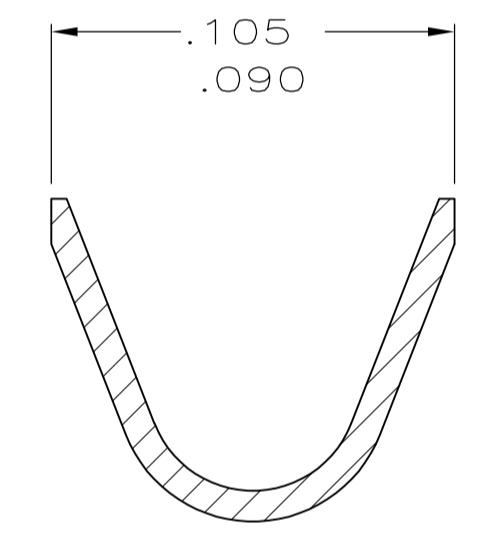
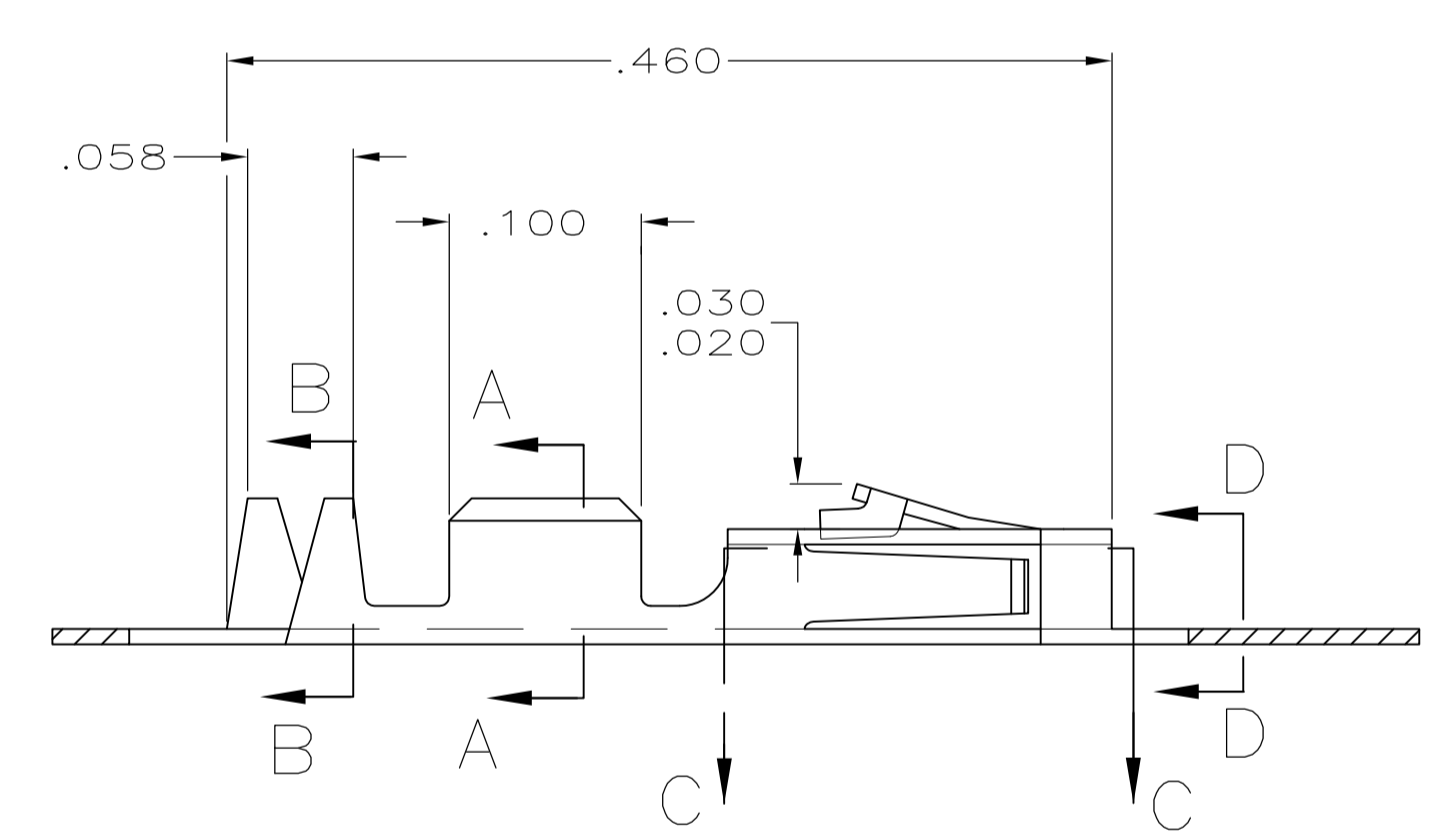
[Distributor Inventory](#)  
[Product Cross Reference](#)  
[Documents & Drawings](#)

### Customer Support

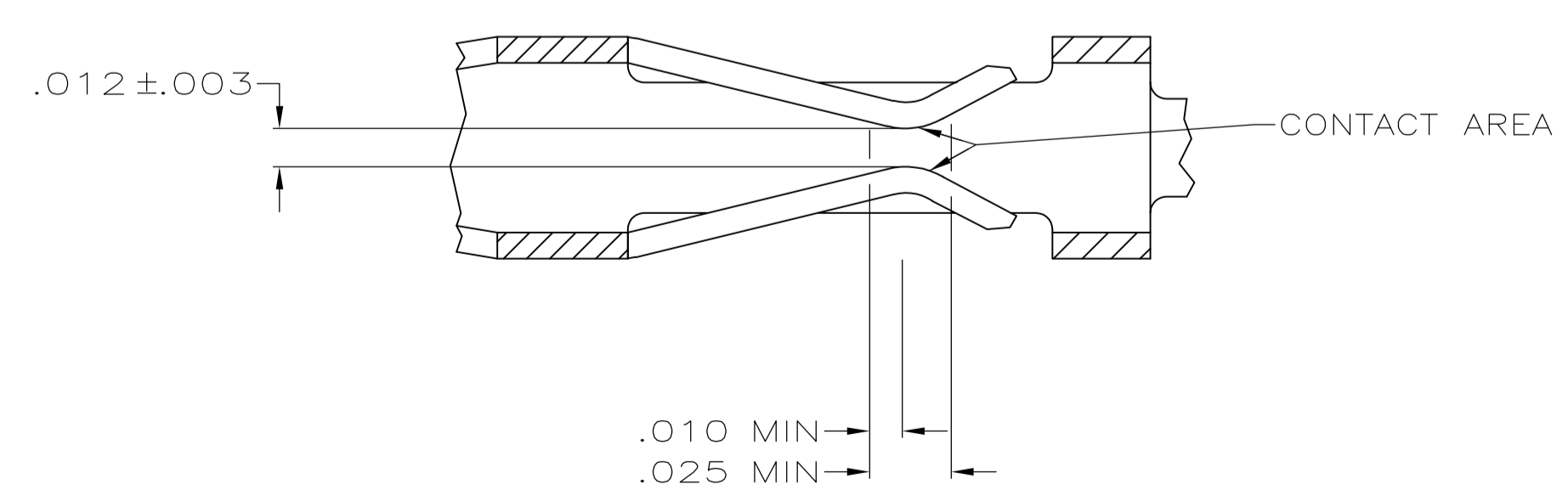
[Email or Chat With Us](#)  
[Find a Phone Number](#)  
[Knowledge Base](#)



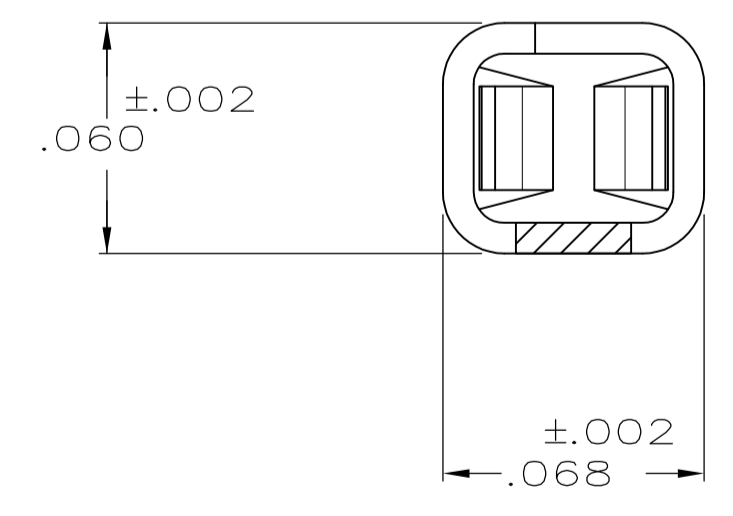
SECTION A-A  
SCALE 20:1



SECTION B-B  
INSULATION RANGE .025-.060  
SCALE 20:1



SECTION C-C  
SCALE 20:1



SECTION D-D  
SCALE 20:1

- 1 .000100 MIN BRIGHT TIN-LEAD OVER .000050 MIN NICKEL ON ENTIRE CONTACT
- 2 .000050 MIN NICKEL ON ENTIRE CONTACT; .000015 MIN GOLD ON CONTACT AREA; .000050 MIN BRIGHT TIN-LEAD ON AREA M.
- 3 .000050 MIN NICKEL ON ENTIRE CONTACT; .000030 MIN GOLD ON CONTACT AREA; .000050 MIN BRIGHT TIN-LEAD ON AREA M.
- 4 LOOSE PIECE CUT-OFF DIMENSION.
- 5 .000100-.000200 TIN OVER .000050-.000100 NICKEL ON ENTIRE CONTACT.
- 6 PREPLATED MATERIAL: (.000015 MIN GOLD ON CONTACT AREA, .000050-.000100 TIN ON AREA M, ALL OVER .000050-.000100 NICKEL ON ENTIRE CONTACT).
- 7 PREPLATED MATERIAL: (.000030 MIN GOLD ON CONTACT AREA, .000050-.000100 TIN ON AREA M, ALL OVER .000050-.000100 NICKEL ON ENTIRE CONTACT).

REMARKS	FINISH	PART NO
LOOSE PIECE	7	REF 1-104479-3
LOOSE PIECE	6	REF 1-104479-2
LOOSE PIECE	5	REF 1-104479-1
STRIP	7	1-104479-0
STRIP	6	104479-9
STRIP	5	104479-8
LOOSE PIECE	3	REF 104479-7
LOOSE PIECE	2	REF 104479-6
LOOSE PIECE	1	REF 104479-5
STRIP	3	104479-4
STRIP	2	104479-3
STRIP	1	104479-2

THIS DRAWING IS A CONTROLLED DOCUMENT.

DIMENSIONS: INCHES	TOLERANCES UNLESS OTHERWISE SPECIFIED:	DIN C. OBERMAN 5-9-89	APPROVED: K. HELM 5-12-89	NAME: R. ELICKER 5-12-89	PRODUCT SPEC: 108-1472	APPLICATION SPEC: 114-25038	SIZE: A1	SCALE: 10:1	SHEET: 1 OF 1	REV: R1
MATERIAL: PHOSPHOR BRONZE	FINISH: SEE TABLE	WEIGHT: -	CAGE CODE: 00779	DRAWING NO: 104479	RESTRICTED TO: -	CUSTOMER DRAWING	SCALE: 10:1	SHEET: 1 OF 1	REV: R1	

STE TE Connectivity  
CONTACT, CRIMP SNAP-IN AMPMODU SHORT POINT, 20-24 AWG