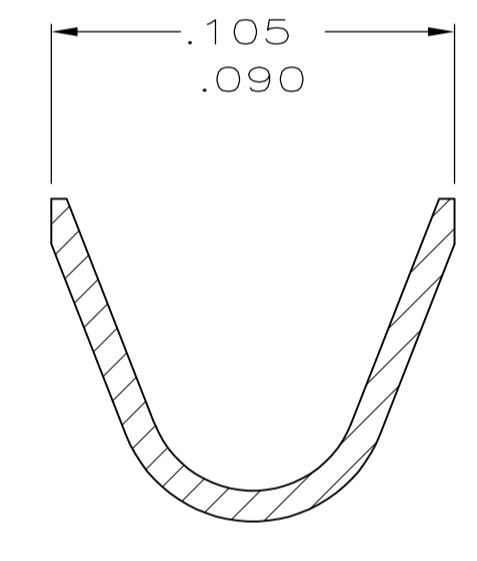
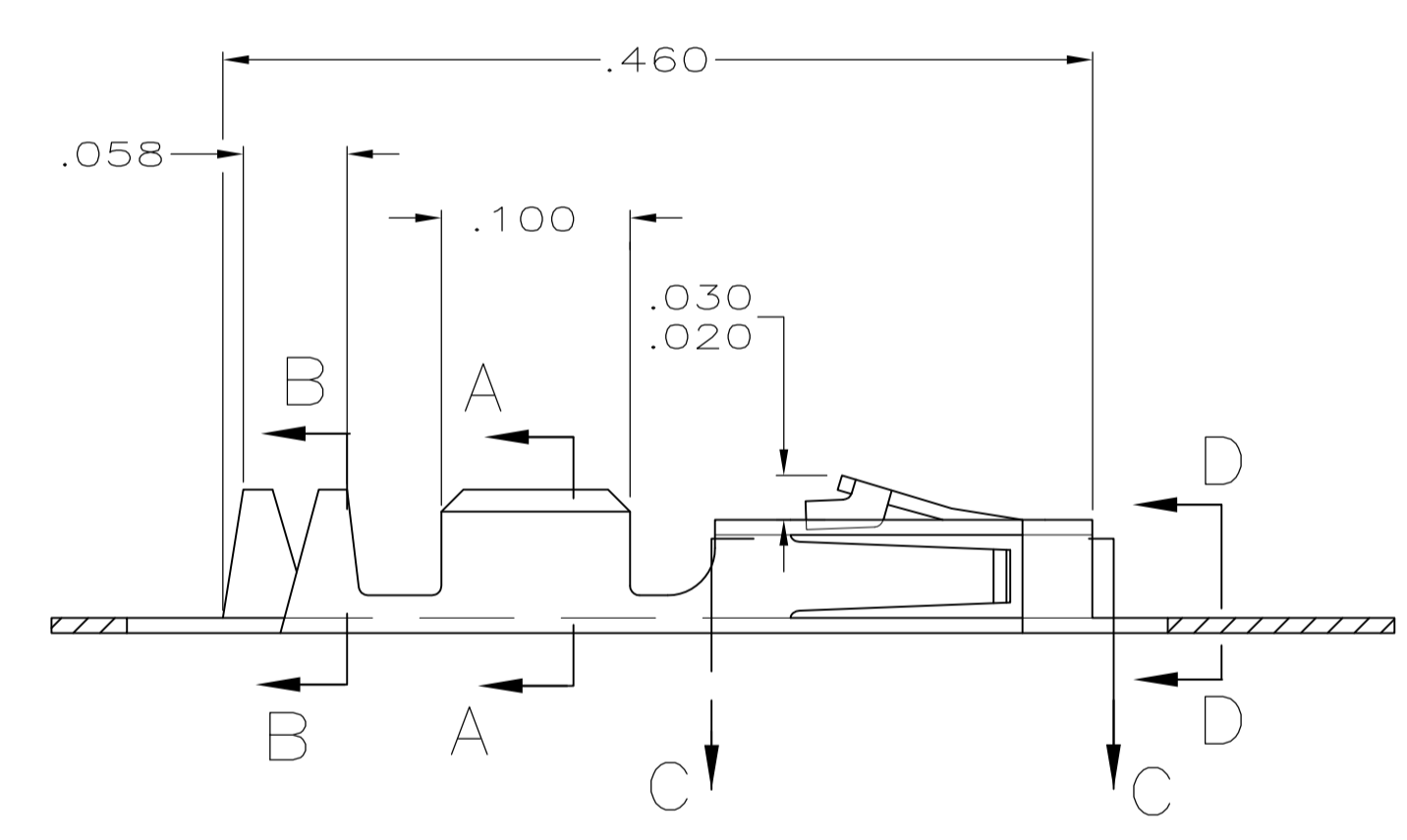
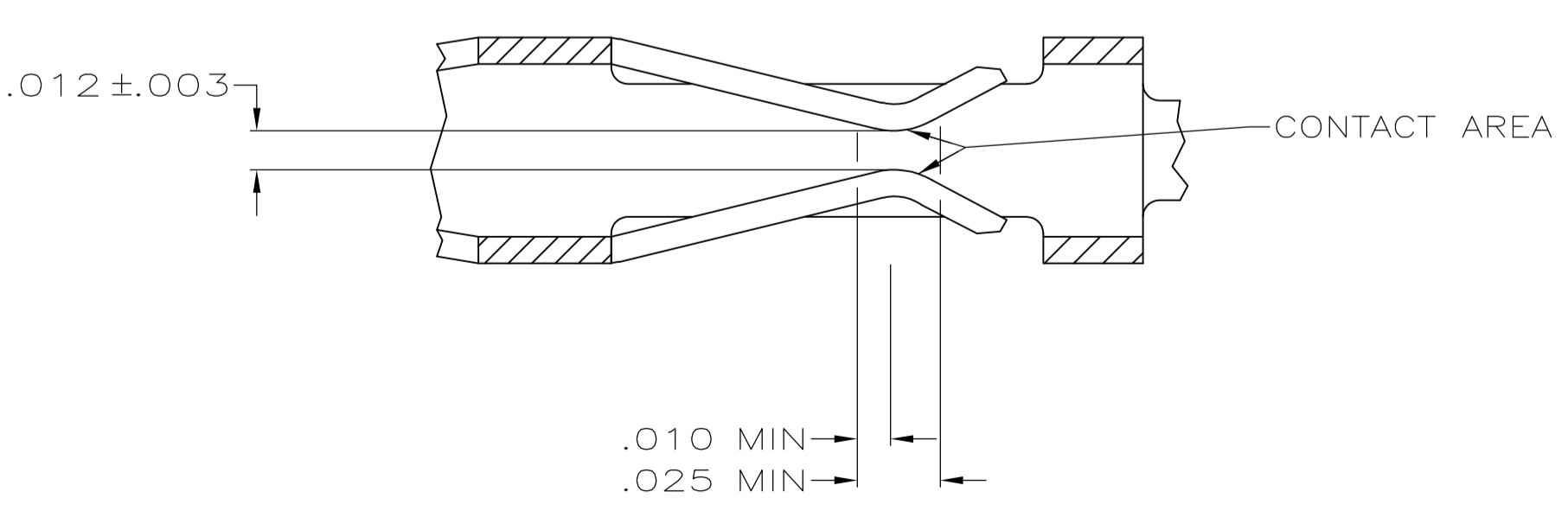


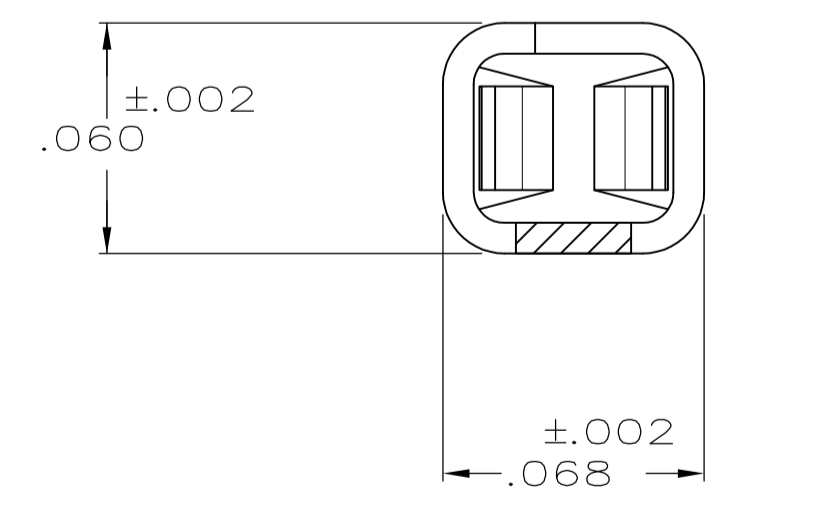
SECTION A-A
SCALE 20:1



SECTION B-B
INSULATION RANGE .025-.060
SCALE 20:1



SECTION C-C
SCALE 20:1



SECTION D-D
SCALE 20:1

- 1 .000100 MIN BRIGHT TIN-LEAD OVER .000050 MIN NICKEL ON ENTIRE CONTACT
- 2 .000050 MIN NICKEL ON ENTIRE CONTACT; .000015 MIN GOLD ON CONTACT AREA; .000050 MIN BRIGHT TIN-LEAD ON AREA M.
- 3 .000050 MIN NICKEL ON ENTIRE CONTACT; .000030 MIN GOLD ON CONTACT AREA; .000050 MIN BRIGHT TIN-LEAD ON AREA M.
- 4 LOOSE PIECE CUT-OFF DIMENSION.
- 5 .000100-.000200 TIN OVER .000050-.000100 NICKEL ON ENTIRE CONTACT.
- 6 PREPLATED MATERIAL: (.000015 MIN GOLD ON CONTACT AREA, .000050-.000100 TIN ON AREA M, ALL OVER .000050-.000100 NICKEL ON ENTIRE CONTACT).
- 7 PREPLATED MATERIAL: (.000030 MIN GOLD ON CONTACT AREA, .000050-.000100 TIN ON AREA M, ALL OVER .000050-.000100 NICKEL ON ENTIRE CONTACT).

REMARKS	FINISH	PART NO
LOOSE PIECE	7	REF 1-104479-3
LOOSE PIECE	6	REF 1-104479-2
LOOSE PIECE	5	REF 1-104479-1
STRIP	7	1-104479-0
STRIP	6	104479-9
STRIP	5	104479-8
LOOSE PIECE	3	REF 104479-7
LOOSE PIECE	2	REF 104479-6
LOOSE PIECE	1	REF 104479-5
STRIP	3	104479-4
STRIP	2	104479-3
STRIP	1	104479-2

THIS DRAWING IS A CONTROLLED DOCUMENT.

DIMENSIONS: INCHES	TOLERANCES UNLESS OTHERWISE SPECIFIED:	DIN C. OBERMAN 5-9-89	DRW K. HELM 5-12-89	APVD R. ELICKER 5-12-89	NAME
0 PLC ± -	1 PLC ± -	2 PLC ± -	3 PLC ± .005	4 PLC ± -	ANGLES ± -
MATERIAL PHOSPHOR BRONZE	FINISH SEE TABLE	WEIGHT -	SIZE A1	CAGE CODE 00779	DRAWING NO 104479
CUSTOMER DRAWING		SCALE 10:1	SHEET 1 OF 1	REV 1	RESTRICTED TO

STE TE Connectivity

CONTACT, CRIMP SNAP-IN
AMPMODU SHORT POINT, 20-24 AWG