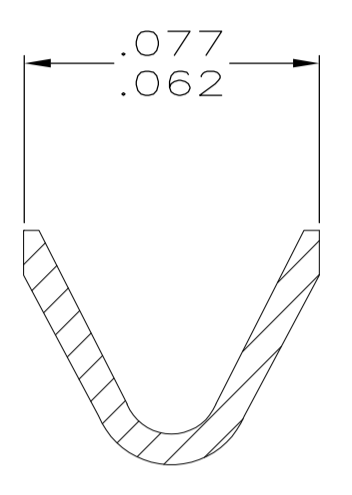
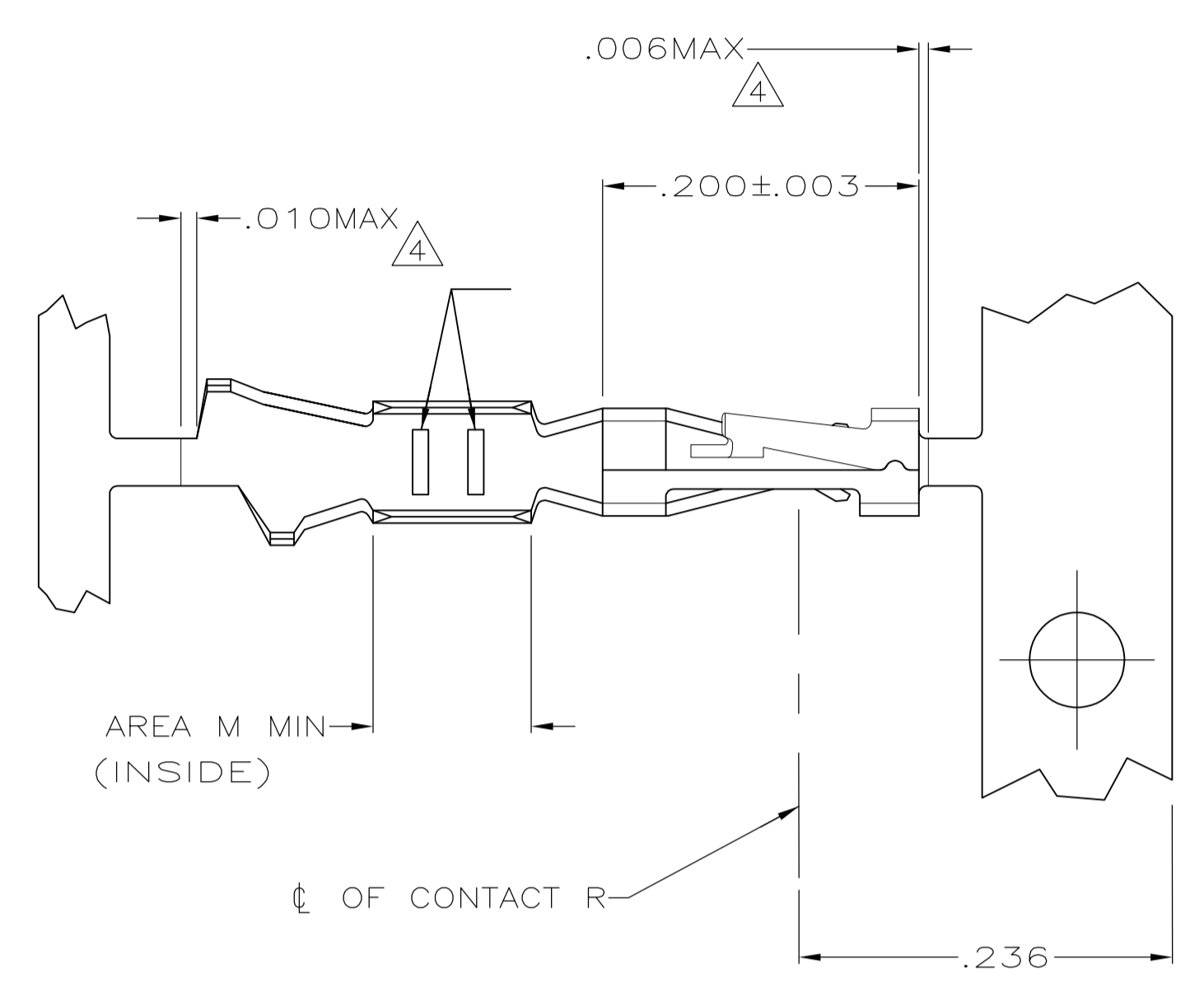
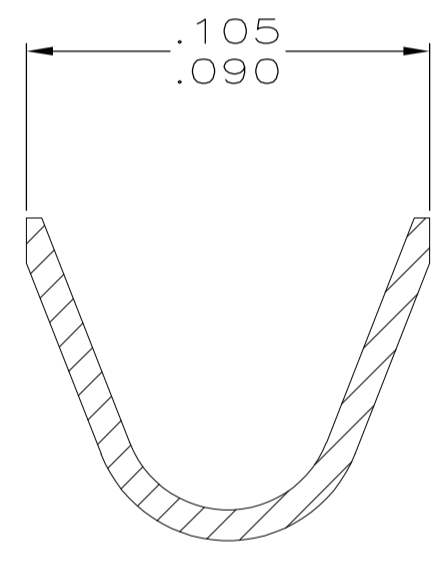
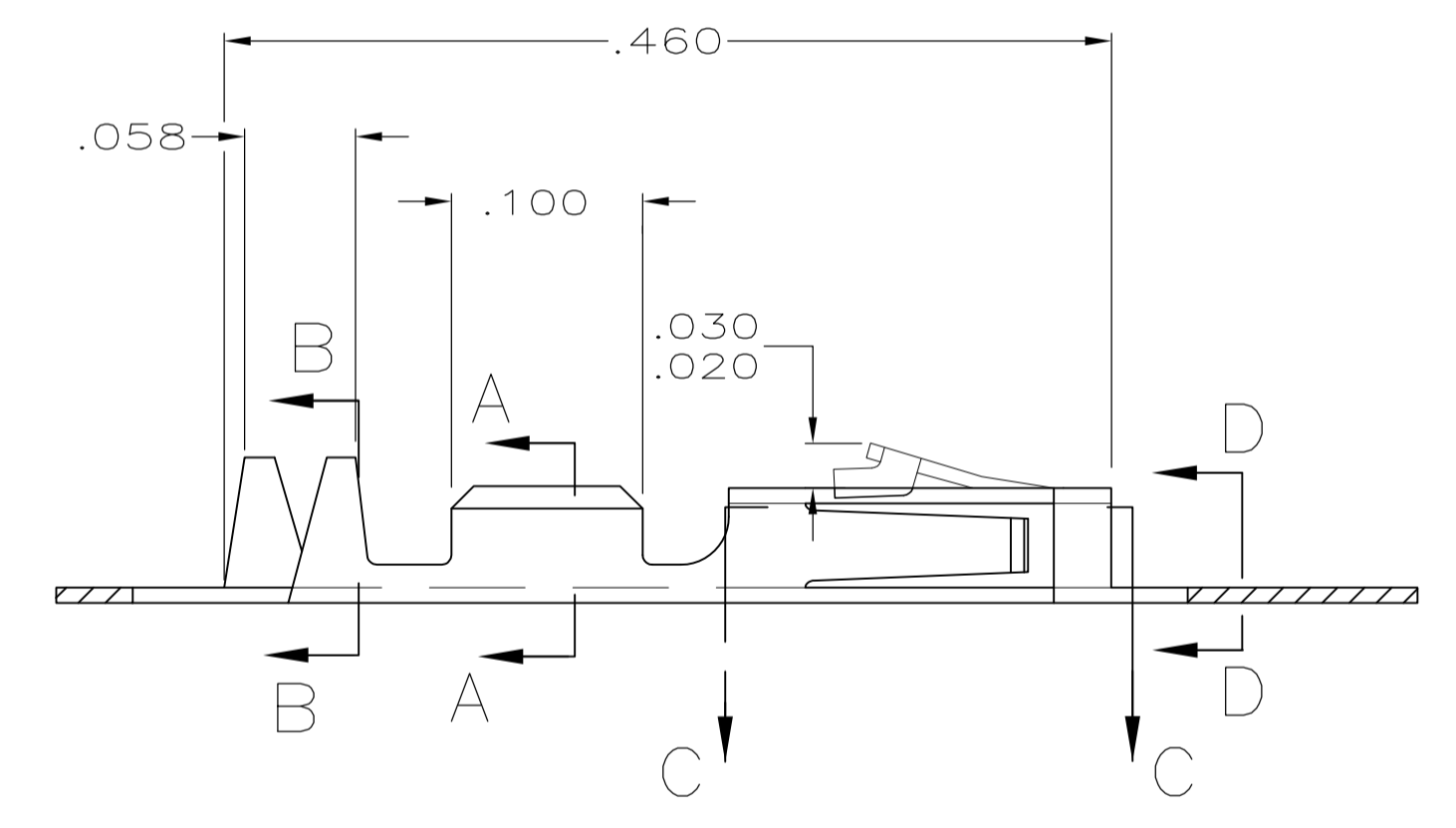


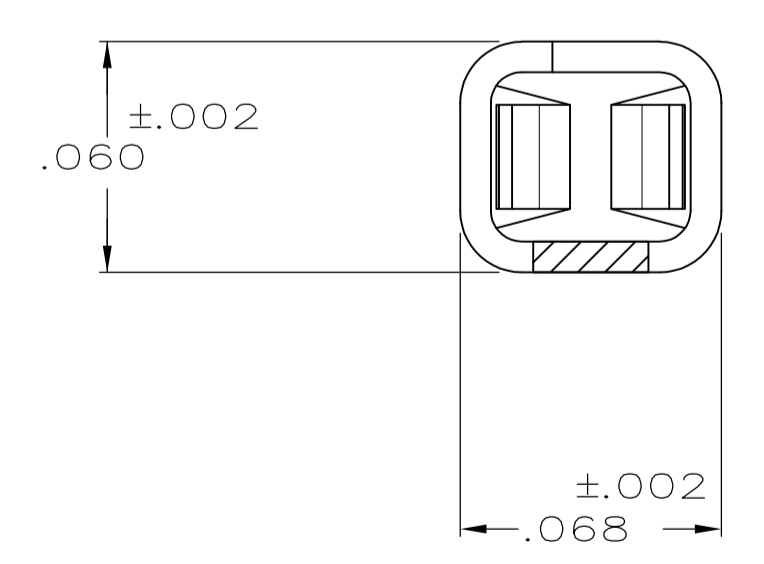
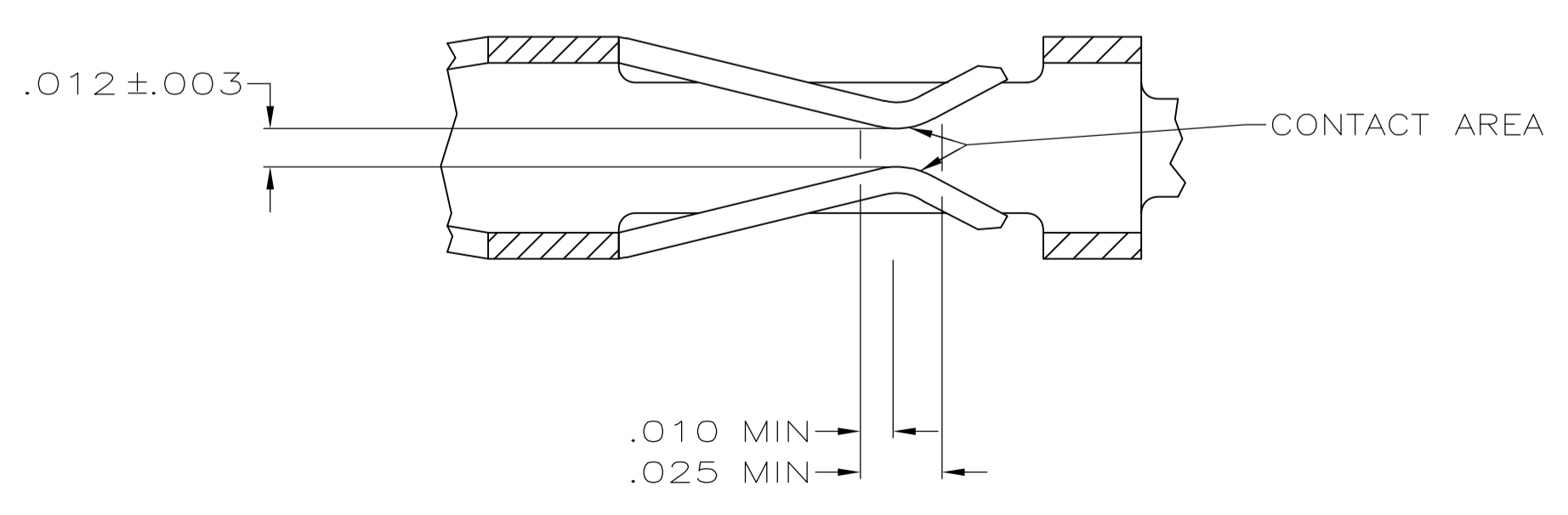
- ① .000100 MIN BRIGHT TIN-LEAD OVER .000050 MIN NICKEL ON ENTIRE CONTACT
- ② .000050 MIN NICKEL ON ENTIRE CONTACT; .000015 MIN GOLD ON CONTACT AREA; .000050 MIN BRIGHT TIN-LEAD ON AREA M.
- ③ .000050 MIN NICKEL ON ENTIRE CONTACT; .000030 MIN GOLD ON CONTACT AREA; .000050 MIN BRIGHT TIN-LEAD ON AREA M.
- ④ LOOSE PIECE CUT-OFF DIMENSION.
- ⑤ OBSOLETE PART NUMBER.
- ⑥ .000015 MIN GOLD ON CONTACT AREA, .000050 MIN TIN ON AREA M, ALL OVER .000050-.000100 NICKEL ON ENTIRE CONTACT.
- ⑦ .000030 MIN GOLD ON CONTACT AREA, .000050 MIN TIN ON AREA M, ALL OVER .000050-.000100 NICKEL ON ENTIRE CONTACT.
- ⑧ .000100-.000200 TIN OVER .000050 MIN NICKEL ON ENTIRE CONTACT.



SECTION A-A
SCALE 20:1



SECTION B-B
INSULATION RANGE .025-.060
SCALE 20:1



SECTION D-D
SCALE 20:1

SECTION C-C
SCALE 20:1

REMARKS	FINISH	PART NO
STRIP	⑧	1-104480-7
LOOSE PIECE	⑦ REF	1-104480-6
LOOSE PIECE	⑥ REF	1-104480-5
LOOSE PIECE	⑧ REF	1-104480-4
STRIP	⑦	1-104480-3
STRIP	⑥	1-104480-2
LOOSE PIECE		1-104480-1
LOOSE PIECE		1-104480-0
LOOSE PIECE	③ REF	104480-9
LOOSE PIECE	② REF	104480-8
LOOSE PIECE	① REF	104480-7
STRIP		104480-6
STRIP		104480-5
STRIP	③	104480-4
STRIP	②	104480-3
STRIP	①	104480-2

THIS DRAWING IS A CONTROLLED DOCUMENT.

DIMENSIONS: INCHES	TOLERANCES UNLESS OTHERWISE SPECIFIED:	DIN C. OBERMAN 5-10-89	TE Connectivity
0 PLC ± - 1 PLC ± - 2 PLC ± - 3 PLC ± .005 4 PLC ± - ANGLES ± -	SEE TABLE	CHK K. HELM 5-12-89 APVD R. ELICKER 5-12-89 NAME PRODUCT SPEC 108-1472 APPLICATION SPEC 114-25038	
MATERIAL PHOSPHOR BRONZE	FINISH	SIZE A1	CONTACT, CRIMP SNAP-IN AMPMODU SHORT POINT, 22-26 AWG DRAWING NO 00779 PART NO 104480

CUSTOMER DRAWING SCALE 10:1 SHEET 1 OF 1 REV S1