



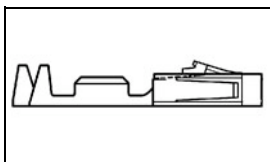
Have a Question?
 Chat with a Product
 Information Specialist

What can we help you find?

[Products](#) [Industries](#) [Resources](#) [About TE](#) [My Account](#) [Innovation](#) [Support Center](#)

1-104481-3 Product Details

[Share](#) [Print](#) [Email](#)



1-104481-3

TE Internal Number: 1-104481-3

Active

[View 3D PDF](#)

.100 AMPMODU Headers, Housings & Contacts

Always EU RoHS/ELV Compliant (Statement of Compliance)

Product Highlights:

- Contact
- Contact Type = Socket
- Crimp Termination Method to Wire/Cable
- Applies To Wire/Cable
- Wire Insulation Diameter = .64 - 1.52 mm

[View all Features](#)

Quick Links

- ▶ [Pricing & Availability](#)
- ▶ [Search for Tooling](#)
- ▶ [Product Feature Selector](#)
- ▶ [Contact Us About This Product](#)

[Add to My Part List](#) [Request Sample](#) [Find Similar Products](#) [Buy Product](#)

Documentation & Additional Information

Product Drawings:

- [CONTACT, CRIMP SNAP-IN AMPMODU SHORT POINT, 28-32 AWG \(PDF, English\)](#)

Catalog Pages/Data Sheets:

- [AMPMODU_INTERCONNECTION_SYSTEM_SECTION5_CONT \(PDF, English\)](#)

Product Specifications:

- None Available

Application Specifications:

- [AMPMODU Short Point Contacts and Housings \(PDF, English\)](#)

Instruction Sheets:

- None Available

CAD Files: ([CAD Format & Compression Information](#))

- [2D Drawing \(DXF, Version N\)](#)
- [3D Model \(IGES, Version N\)](#)
- [3D Model \(STEP, Version N\)](#)

[List all Documents](#)

Additional Information:

- [Product Line Information](#)

Related Products:

- [Tooling](#)

Product Features (Please use the Product Drawing for all design activity)

Product Type Features:

- Product Type = Contact
- [Termination Method to Wire/Cable](#) = Crimp
- Wire Insulation Diameter (mm [in]) = 0.64 - 1.52 [0.025 - 0.060]
- [Connector Series](#) = Short Point
- With Insulation Support = Yes
- Applied Pressure = Standard

Electrical Characteristics:

- Contact - Rated Current (A) = 3
- Voltage Rating (VAC) = 300
- Termination Resistance (mΩ) = 12
- Insulation Resistance (MΩ) = 5,000
- Dielectric Withstanding Voltage (V) = 750

Termination Features:

- Crimp Area Plating = Tin

Body Features:

- [Wire Range \(mm \[AWG\]\)](#) = 0.03-0.09² [32-28]

Contact Features:

- Contact Type = Socket
- [Contact Plating, Mating Area, Material](#) = Gold (30)
- Contact Base Material = Copper Alloy C7025

Industry Standards:

- [RoHS/ELV Compliance](#) = RoHS compliant, ELV compliant
- [Lead Free Solder Processes](#) = Not relevant for lead free process
- RoHS/ELV Compliance History = Always was RoHS compliant
- Approved Standards = CSA LR7189, UL E28476

Environmental:

- Operating Temperature (°C) = -65 - +105

Conditions for Usage:

- [Applies To](#) = Wire/Cable

Packaging Features:

- Packaging Method = Loose Piece

Other:

- Brand = AMP

Corporate Information

[About TE](#)
[Investors](#)

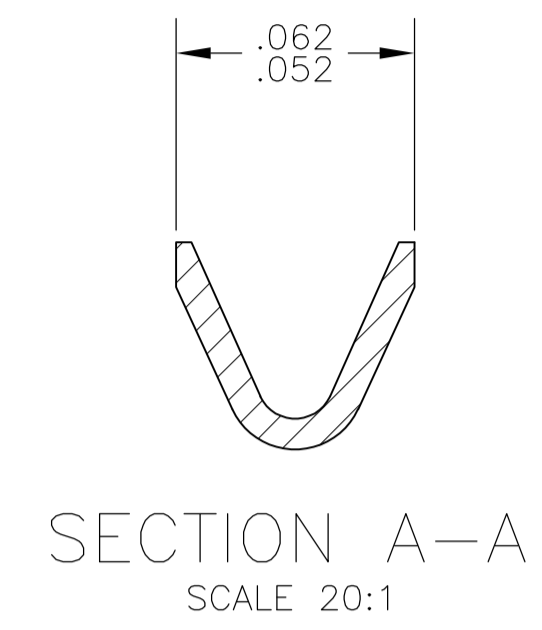
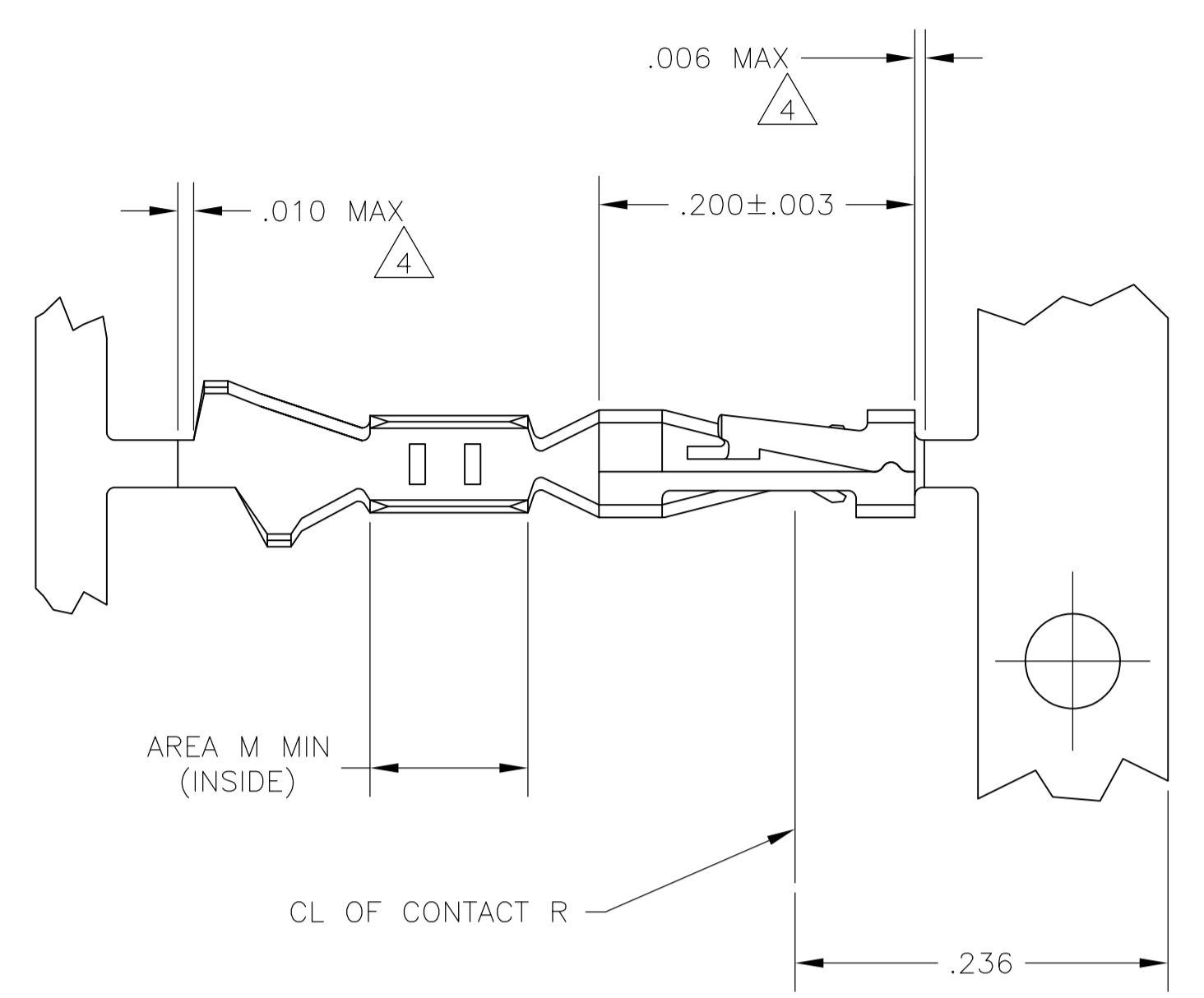
Quick Links

[Distributor Inventory](#)
[Product Cross Reference](#)

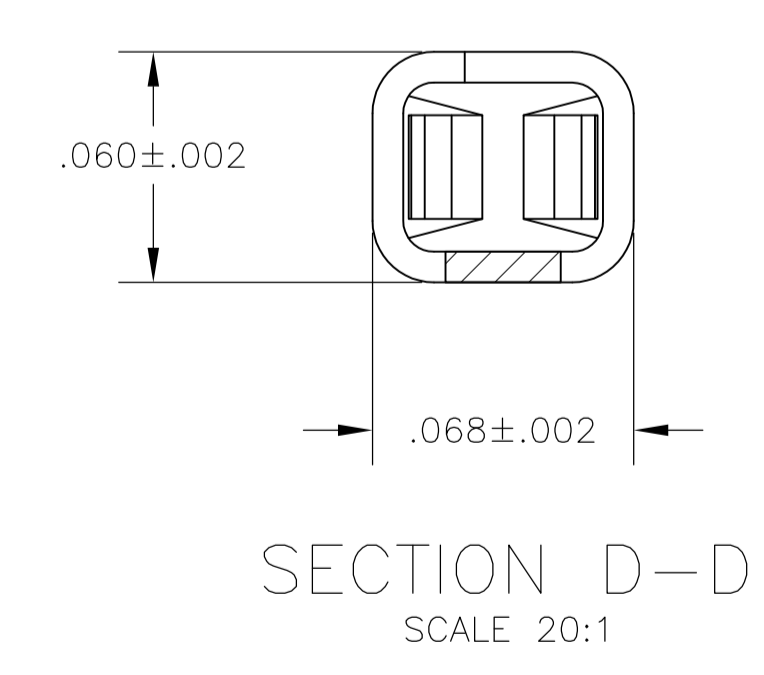
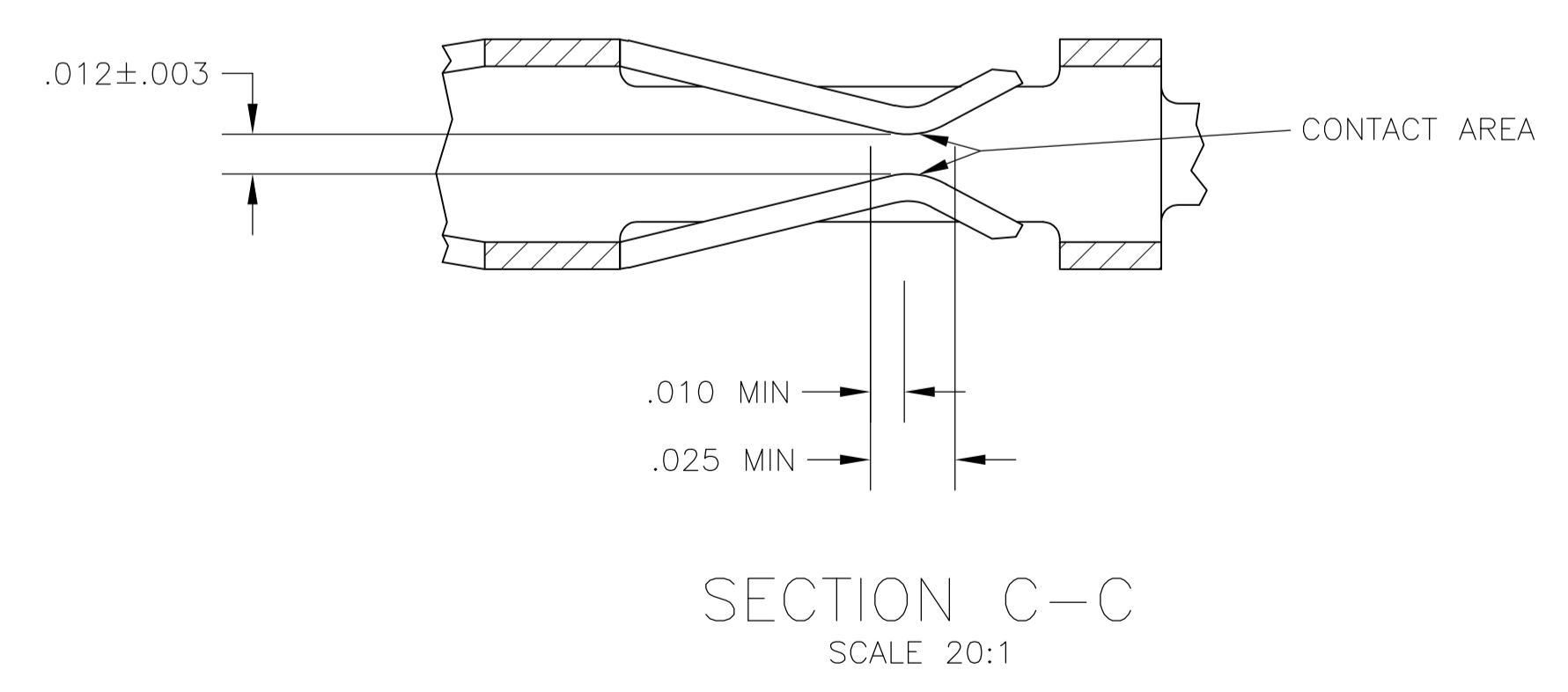
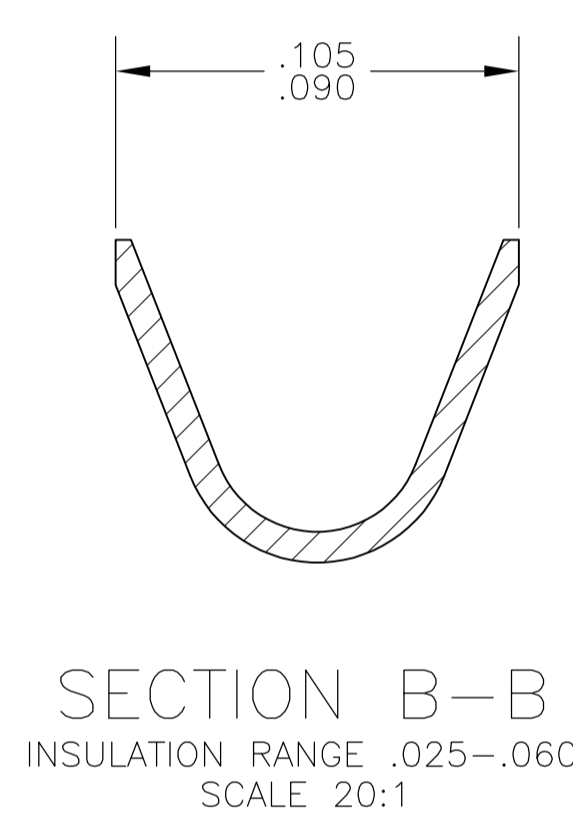
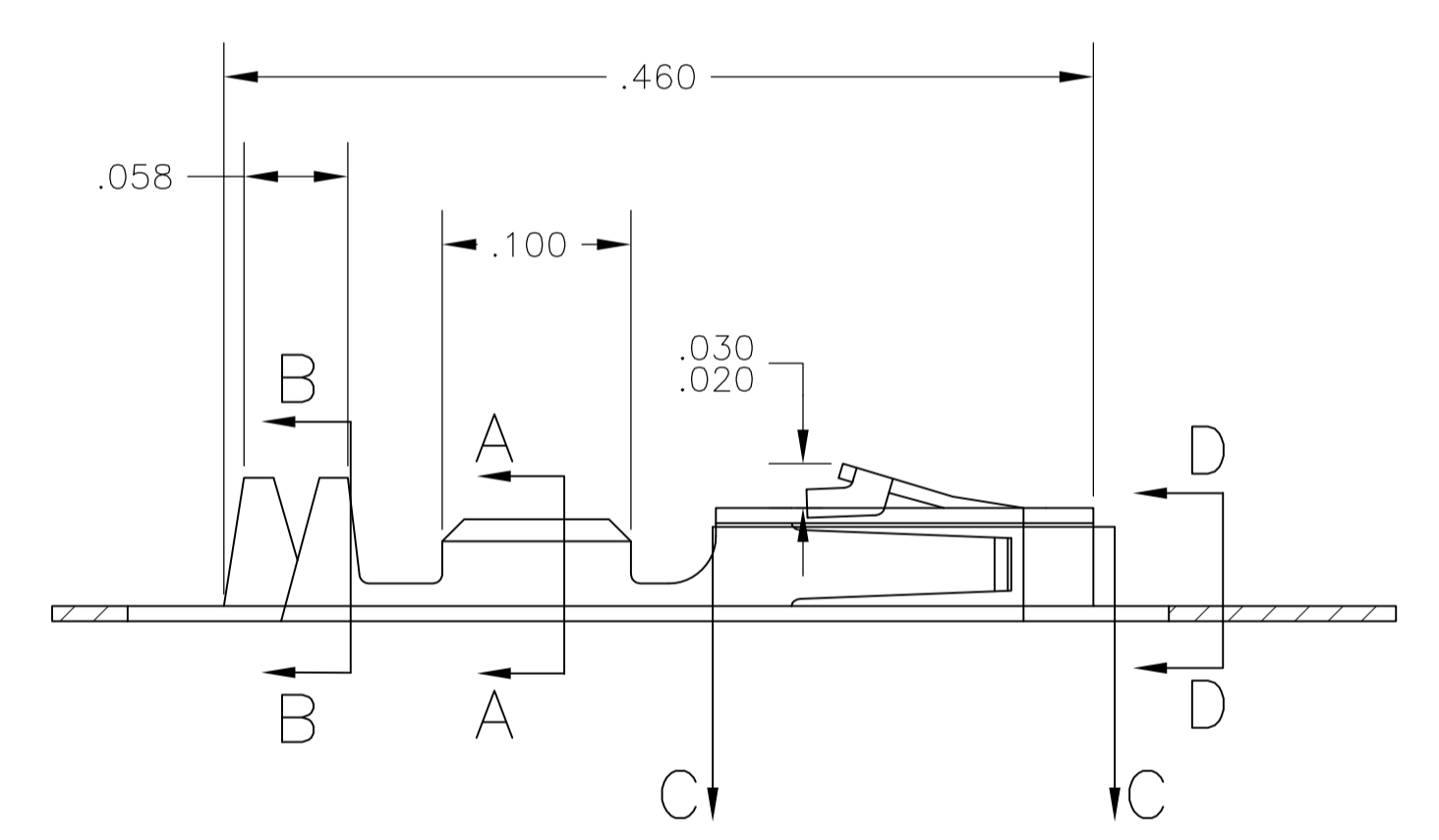
Customer Support

[Email or Chat With Us](#)
[Find a Phone Number](#)

LOC		DIST		REVISIONS			
AD	00	REV	DATE	DESCRIPTION	DATE	DWN	APVD
N1		REVISED PER	ECO-11-004587		11MAR11	RK	HMR



- 1 .000100 MIN BRIGHT TIN-LEAD OVER .000050 MIN NICKEL ON ENTIRE CONTACT
- 2 .000050 MIN NICKEL ON ENTIRE CONTACT; .000015 MIN GOLD ON CONTACT AREA; .000050 MIN BRIGHT TIN-LEAD ON AREA M.
- 3 .000050 MIN NICKEL ON ENTIRE CONTACT; .000030 MIN GOLD ON CONTACT AREA; .000050 MIN BRIGHT TIN-LEAD ON AREA M.
- 4 LOOSE PIECE CUT-OFF DIMENSION.
- 5 .000015 MIN GOLD ON CONTACT AREA, .000050 MIN TIN ON AREA M, ALL OVER .000050 MIN NICKEL ON ENTIRE CONTACT.
- 6 .000030 MIN GOLD ON CONTACT AREA, .000050 MIN TIN ON AREA M, ALL OVER .000050 MIN NICKEL ON ENTIRE CONTACT.
- 8 .000100 MIN TIN OVER .000050 MIN NICKEL ON ENTIRE CONTACT



REMARKS	FINISH	PART NO
LOOSE PIECE STRIP	8 REF	5-104481-6
LOOSE PIECE STRIP	6 REF	5-104481-2
LOOSE PIECE STRIP	6 REF	1-104481-3
LOOSE PIECE STRIP	5 REF	1-104481-2
LOOSE PIECE STRIP	6 REF	1-104481-1
LOOSE PIECE STRIP	5 REF	1-104481-0
OBsolete LOOSE PIECE		104481-9
OBsolete LOOSE PIECE	3 REF	104481-8
OBsolete LOOSE PIECE	2 REF	104481-7
OBsolete LOOSE PIECE	1 REF	104481-6
OBsolete STRIP		104481-5
OBsolete STRIP	3	104481-4
OBsolete STRIP	2	104481-3
OBsolete STRIP	1	104481-2

THIS DRAWING IS A CONTROLLED DOCUMENT.

DIMENSIONS: INCHES	TOLERANCES UNLESS OTHERWISE SPECIFIED:	DWG: C. OBERMAN 5-10-89	CHK: K. HELM 5-12-89	APVD: R. ELICKER 5-12-89	NAME: CONTACT, CRIMP SNAP-IN AMPMODU SHORT POINT, 28-32 AWG
0 PLC ± -	1 PLC ± -	2 PLC ± -	3 PLC ± .005	4 PLC ± -	ANGLES ± -
MATERIAL: PHOSPHOR BRONZE	FINISH: SEE TABLE	WEIGHT: -	SIZE: A1	CAGE CODE: 00779	DRAWING NO: 104481
CUSTOMER DRAWING		SCALE: 10:1	SHEET: 1 OF 1	REV: N1	

STE TE Connectivity