

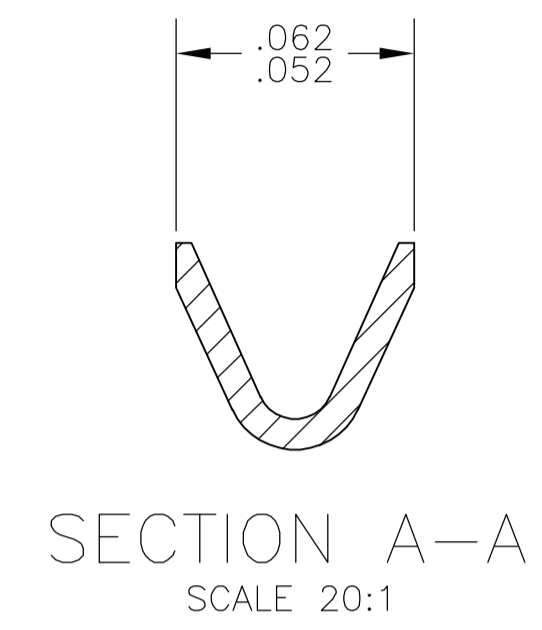
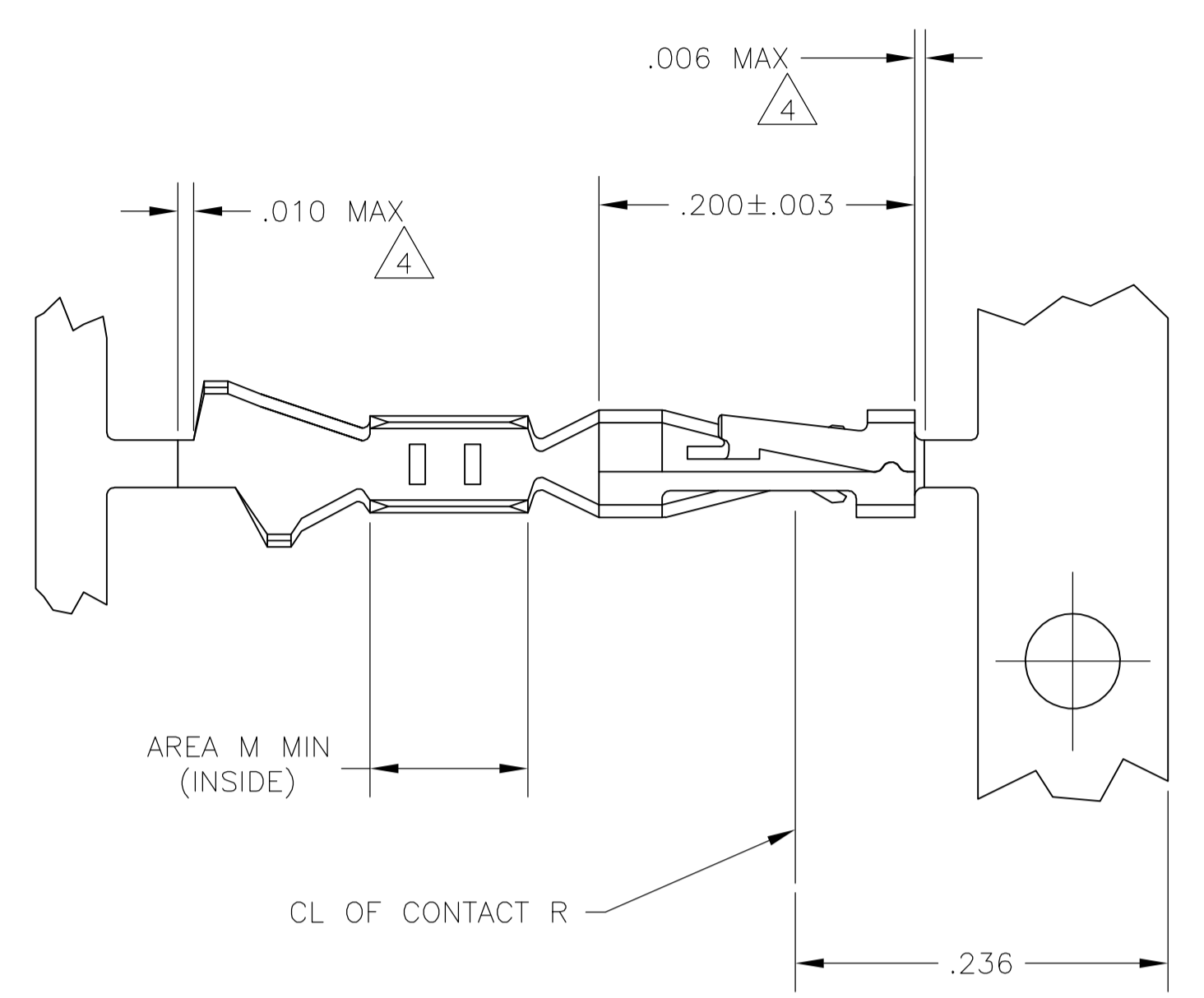
Distributed by:

JAMECO[®]
ELECTRONICS

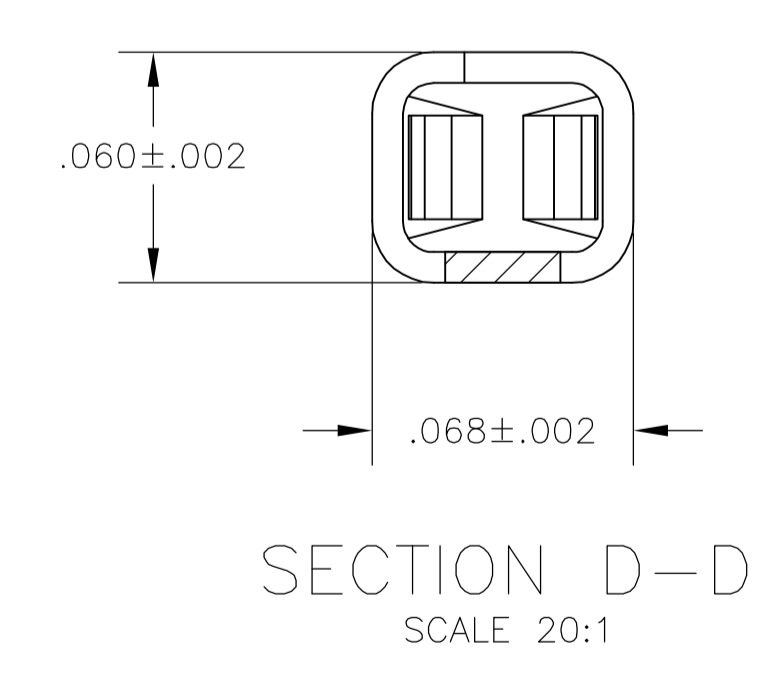
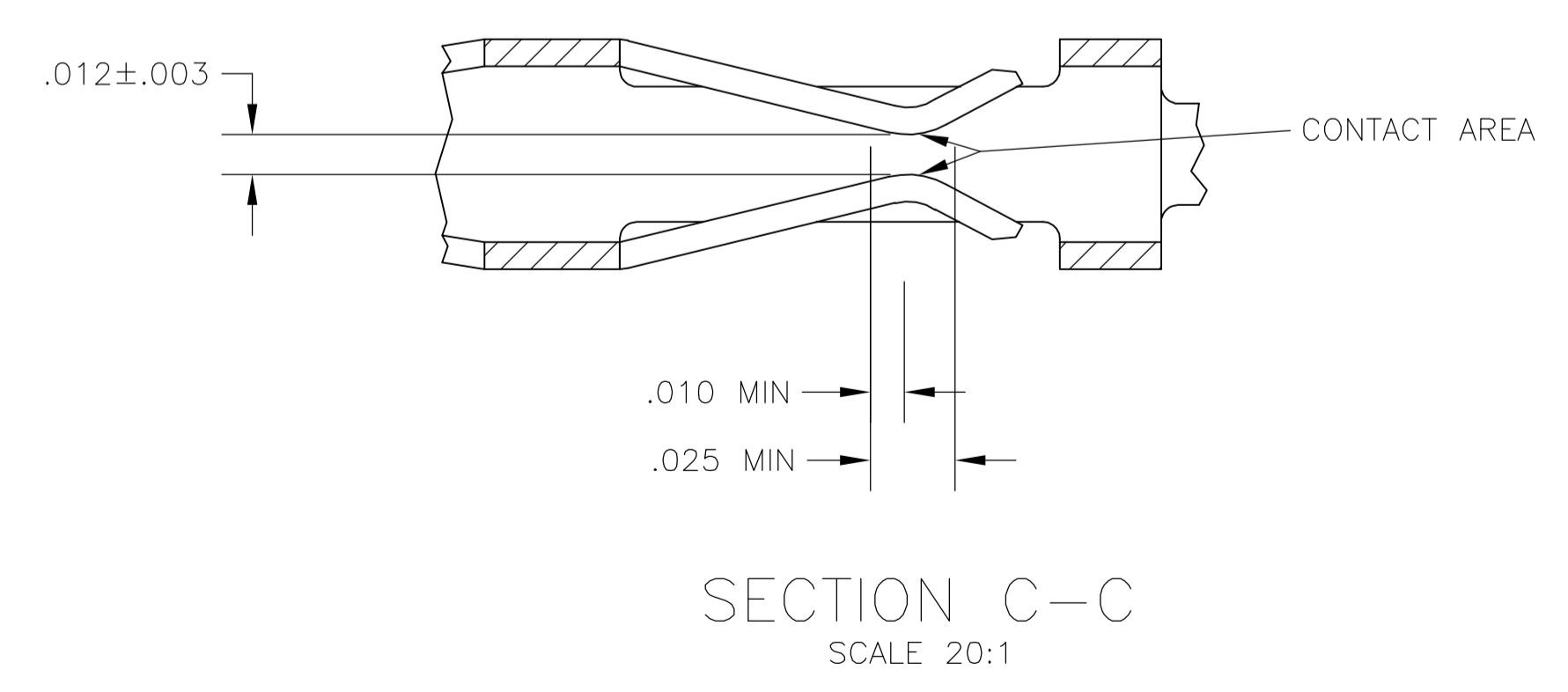
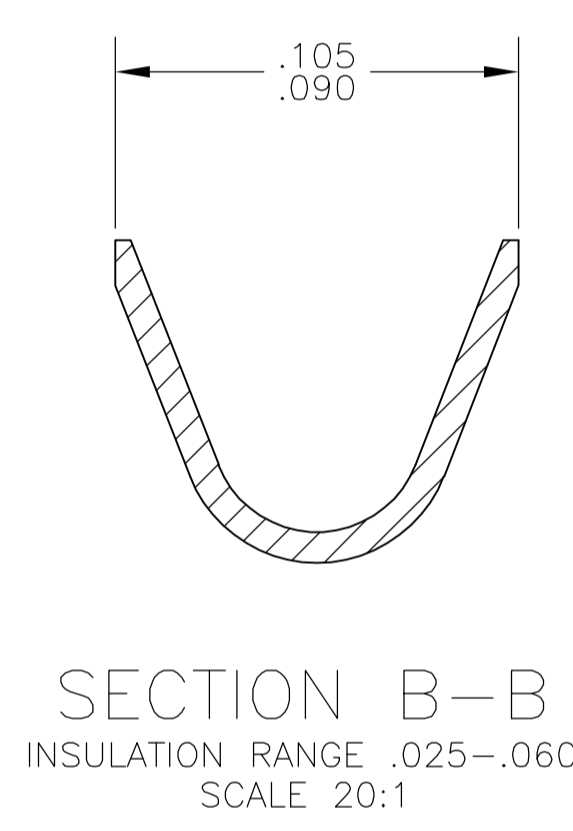
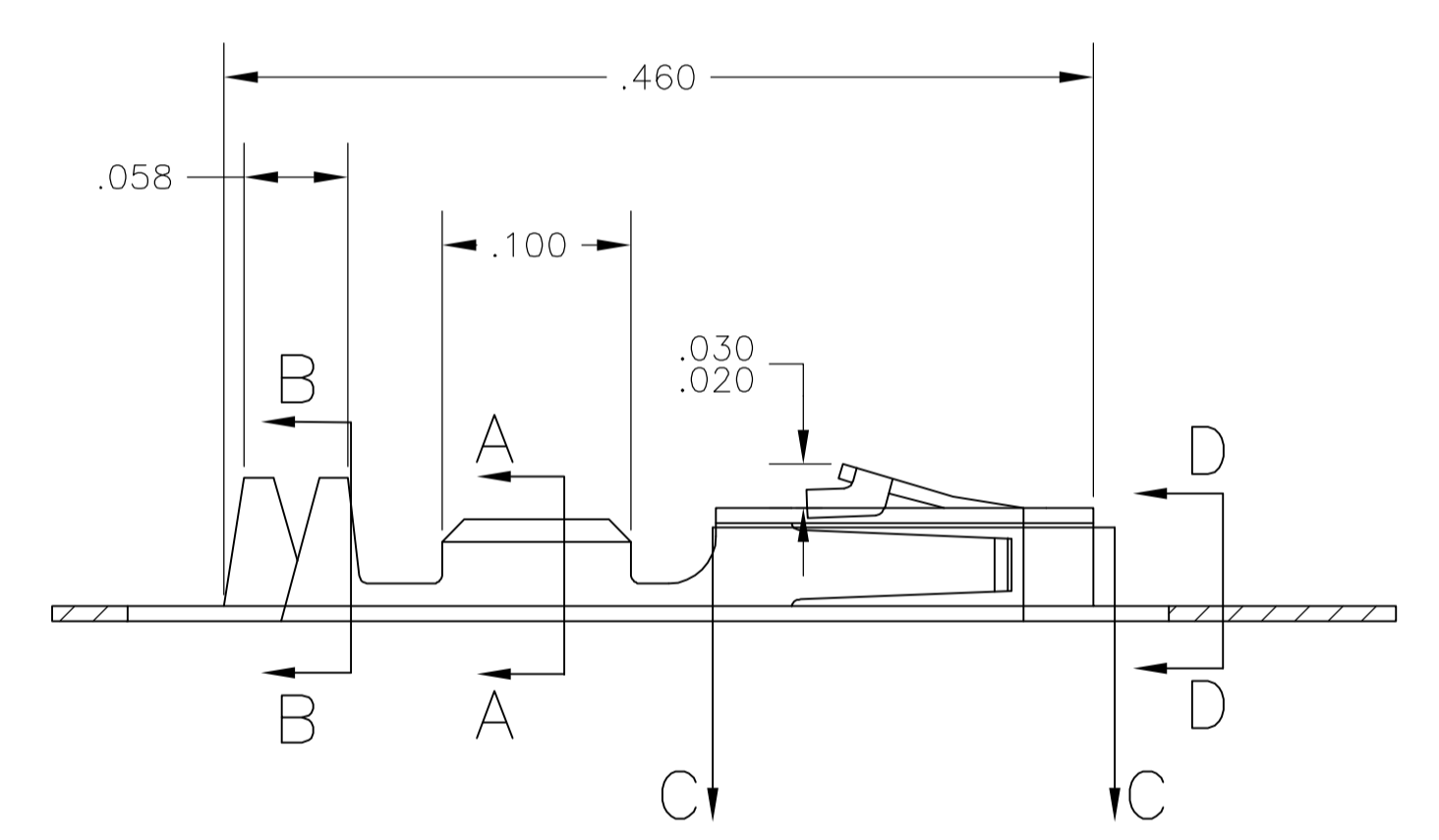
www.Jameco.com ♦ 1-800-831-4242

The content and copyrights of the attached
material are the property of its owner.

Jameco Part Number 745336



- 1 .000100 MIN BRIGHT TIN-LEAD OVER .000050 MIN NICKEL ON ENTIRE CONTACT
- 2 .000050 MIN NICKEL ON ENTIRE CONTACT; .000015 MIN GOLD ON CONTACT AREA; .000050 MIN BRIGHT TIN-LEAD ON AREA M.
- 3 .000050 MIN NICKEL ON ENTIRE CONTACT; .000030 MIN GOLD ON CONTACT AREA; .000050 MIN BRIGHT TIN-LEAD ON AREA M.
- 4 LOOSE PIECE CUT-OFF DIMENSION.
- 5 .000015 MIN GOLD ON CONTACT AREA, .000050 MIN BRIGHT TIN ON AREA M, ALL OVER .000050 MIN NICKEL ON ENTIRE CONTACT.
- 6 .000030 MIN GOLD ON CONTACT AREA, .000050 MIN BRIGHT TIN ON AREA M, ALL OVER .000050 MIN NICKEL ON ENTIRE CONTACT.
- 8 .000100 MIN MATTE TIN OVER .000050 MIN NICKEL ON ENTIRE CONTACT



	LOOSE PIECE	8	5-104481-6
	-	8	5-104481-2
	LOOSE PIECE	6	1-104481-3
	LOOSE PIECE	5	1-104481-2
	-	6	1-104481-1
	-	5	1-104481-0
OBsolete	LOOSE PIECE		104481-9
	LOOSE PIECE	3	104481-8
	LOOSE PIECE	2	104481-7
	LOOSE PIECE	1	104481-6
OBsolete	-		104481-5
	-	3	104481-4
	-	2	104481-3
	-	1	104481-2
	REMARKS	FINISH	PART NO

THIS DRAWING IS A CONTROLLED DOCUMENT.

DIMENSIONS: INCHES	TOLERANCES UNLESS OTHERWISE SPECIFIED:	DIN C. OBERMAN 5-10-89	APVD K. HELM 5-12-89	NAME R. RELICKER 5-12-89	SIZE A1	SCALE 10:1	SHEET 1 OF 1	REV M
0 PLC ± -	1 PLC ± -	2 PLC ± -	3 PLC ± .005	4 PLC ± -	WEIGHT -	CUSTOMER DRAWING		
ANGLES ± ± -	FINISH SEE TABLE	Tyco Electronics Corporation Harrisburg, Pa 17105-3608		CONTACT, CRIMP SNAP-IN AMPMODU SHORT POINT, 28-32 AWG	100779	104481		