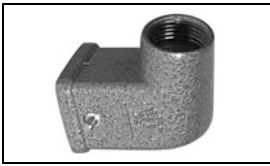


1106406-3 Product Details

[Share](#) [Print](#) [Email](#)



1106406-3

TE Internal Number: 1106406-3
Active

[View 3D PDF](#)

HTS Connectors and Accessories

Always EU RoHS/ELV Compliant (Statement of Compliance)

Product Highlights:

- HA.3 Series
- Accessory
- Accessory Type = Hood
- Product Size = 1
- Locking Device Type = Side Clip at Housing Bottom

[View all Features](#)

Quick Links

- ▶ [Pricing & Availability](#)
- ▶ [Search for Tooling](#)
- ▶ [Product Feature Selector](#)
- ▶ [Contact Us About This Product](#)

[Add to My Part List](#) [Request Sample](#) [Find Similar Products](#) [Buy Product](#)

Documentation & Additional Information

Product Drawings:

- [Hood HA.3.Stw.1.M \(PDF, German\)](#)

Catalog Pages/Data Sheets:

- [HTS Heavy Duty Connectors catalogue \(PDF, English\)](#)

Product Specifications:

- None Available

Application Specifications:

- None Available

Instruction Sheets:

- None Available

CAD Files: [\(CAD Format & Compression Information\)](#)

- [2D Drawing \(DXF, Version A\)](#)
- [3D Model \(IGES, Version A\)](#)
- [3D Model \(STEP, Version A\)](#)

[List all Documents](#)

Additional Information:

- [Product Line Information](#)

Related Products:

- [Tooling](#)

Product Features (Please use the Product Drawing for all design activity)

Product Type Features:

- Product Type = Accessory
- Accessory Type = Hood
- Product Size = 1
- Thread Size = M20
- Finish = Silver Gray

Body Features:

- Entry Style = Side
- Dimensions (L x H x W) (mm [in]) = 40.00 x 49.00 x 26.50 [1.575 x 1.929 x 1.043]
- Material = Die Cast Aluminum

Contact Features:

- Corrosion Protected = No

Configuration Features:

- Locking Device Type = Side Clip at Housing Bottom

Industry Standards:

- [RoHS/ELV Compliance](#) = RoHS compliant, ELV compliant
- [Lead Free Solder Processes](#) = Not relevant for lead free process
- [RoHS/ELV Compliance History](#) = Always was RoHS compliant

Packaging Features:

- Packaging Method = Loose Piece
- Packaging Quantity = 10

Other:

- Series = HA.3
- Brand = HTS

Corporate Information

- [About TE](#)
- [Investors](#)
- [News Room](#)
- [Supplier Portal](#)
- [Careers](#)
- [Terms & Conditions](#)
- [Privacy Policy](#)
- [AODA Accessibility Policy](#)

Quick Links

- [Distributor Inventory](#)
- [Product Cross Reference](#)
- [Documents & Drawings](#)
- [Product Compliance Support Center](#)
- [Site Map](#)

Customer Support

- [Email or Chat With Us](#)
- [Find a Phone Number](#)
- [Knowledge Base](#)
- [Manage Your Account](#)

Keep Me Informed

4

3

2

1

THIS DRAWING IS UNPUBLISHED.
VERTRAULICHE UNVERÖFFENTLICHTE ZEICHNUNG

RELEASED FOR PUBLICATION
FREI FUER VERÖFFENTLICHUNG

MATED WITH:
PASSEND ZU:

LOC
A1

DIST
-

REVISIONS
ÄNDERUNGEN

© COPYRIGHT 1997

BY AMP INCORPORATED.

ALL RIGHTS RESERVED.
ALLE RECHTE VORBEHALTEN

Bg1

P LTR

DESCRIPTION
BESCHREIBUNG

DATE

DWN

APVD

PROJEKT NR.:

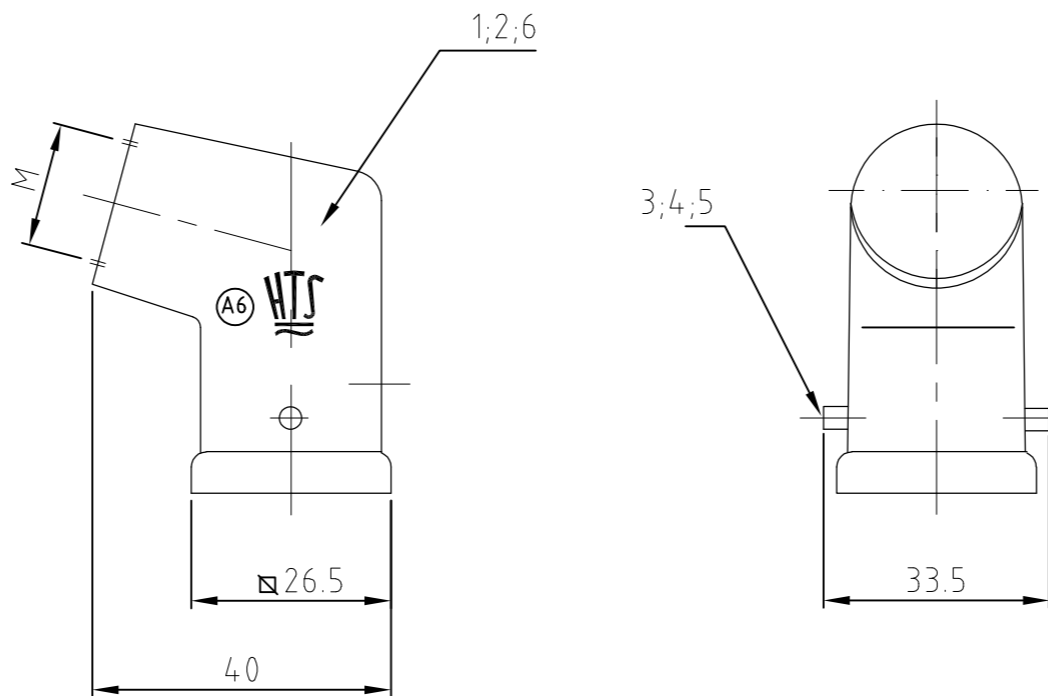
A6

HTS logo added ECR-08-020232

11.08.08

SR

AR



Obsolete

Notes

1 Material: zinc diecast

2 Surface: hammer scales varnish
or powder coated
corrosion protection

3 Varnish on the inside not necessarily

4 Special packing
Packaging quantity 200 pieces

5 Packaging quantity 10 pieces

QTY	POS	DESCRIPTION	MATERIAL	SURFACE	COLOR	ITEM NO. POS.	REMARKS
1		HA3/hood	zinc diecast		black	6	
2		clip bolt	steel	zinc plated	blue	5	
	2	clip bolt	stainless steel			4	
2		clip bolt	steel	zinc plated	blue	3	
	1	HA3/hood	zinc diecast		black	2	
1		HA3/hood	zinc diecast		grey	1	

ORDERING TEXT / BESTELLTEXT	THIS DRAWING IS A CONTROLLED DOCUMENT FOR AMP INCORPORATED. IT IS SUBJECT TO CHANGE AND THE CONTROLLING ENGINEERING ORGANIZATION SHOULD BE CONTACTED FOR THE LATEST REVISION. DIESES ZEICHNUNGSDOKUMENT WIRD DURCH AMP INCORPORATED KONTROLLIERT. ÄNDERUNGEN, DIE DEM TECHNISCHEN FORTSCHRITT DIENEN, SIND VORBEHALTEN. DEN JEWEILS LETZTGÜELTIGEN ÄNDERUNGSSTAND ERFAHREN SIE AUF ANFRAGE.		DWN Schneider 15.08.01	Tyco Electronics HTS Elektrotechnik 53819 Neunkirchen, Germany			
	DIMENSIONS: DIMENSIONEN: mm		CHK Schnurpfeil 15.08.01				
	TOLERANCES UNLESS OTHERWISE SPECIFIED: ALLGEMEINTOLERANZEN D. ISO 8015 D. ISO 2768 - mH - E D. DIN 16901 - 140		APVD -		NAME Hood HA.3.Stw.1M		
	0 PLC #- 1 PLC #- 2 PLC #- 3 PLC #- ANGLES /WINKEL #- FINISH /OBERFLÄCHE /FARBE		PRODUCT SPEC PRODUKTSPEZ. 108-74000		STECKERGEHÄUSE HA.3.Stw.1M		
	MATERIAL		APPLICATION SPEC VERARBEITUNGSSPEZ. 114-74002		SIZE A3		
		WEIGHT GEWICHT -	CAGE CODE 00779	DRAWING NO ZEICHNUNGS-NR. G-1106406	RESTRICTED TO NUR FUER -		
		CUSTOMER DRAWING	/KUNDENZEICHNUNG	MASSSTAB 1:1	BLATT 1	OF VON 1	REV A6