

THIS DRAWING IS UNPUBLISHED. RELEASED FOR PUBLICATION  
 © COPYRIGHT - By - ALL RIGHTS RESERVED.

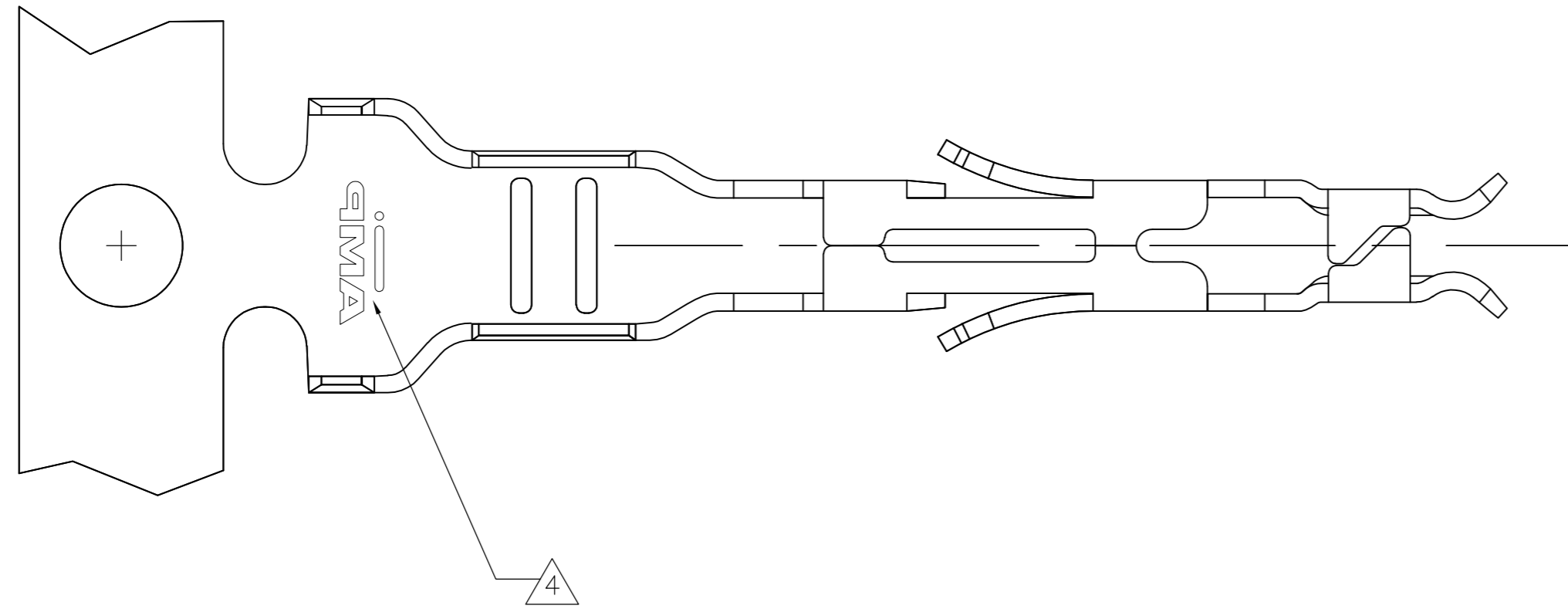
LOC		DIST		REVISIONS			
P	LTR	DESCRIPTION		DATE	DWN	APVD	
CM	00	H1	REVISED PER ECO-11-004917		11MAR11	RK	HMR

D

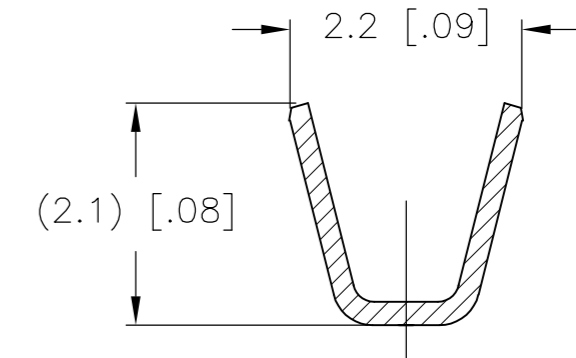
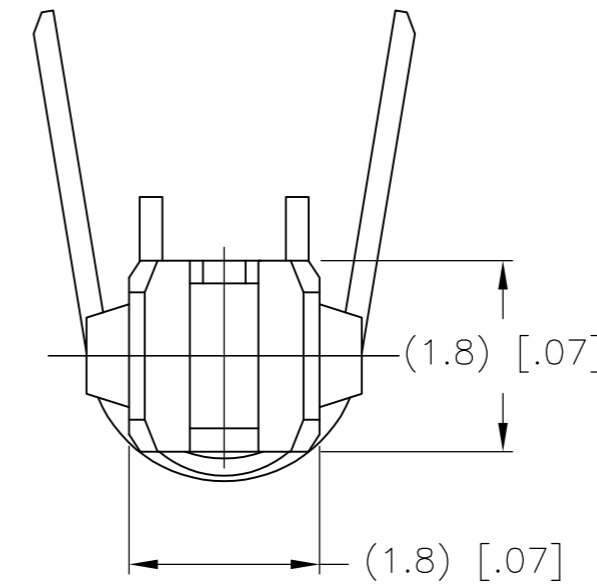
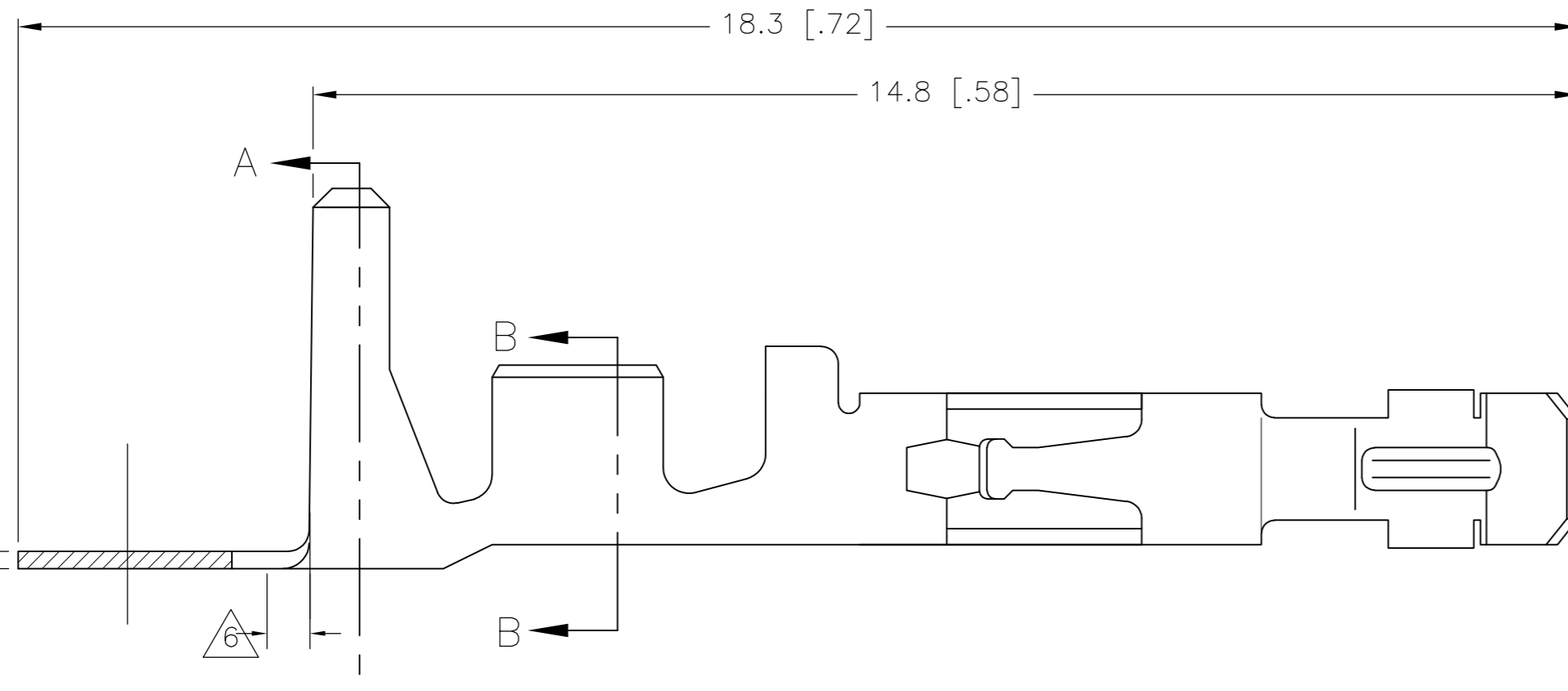
C

B

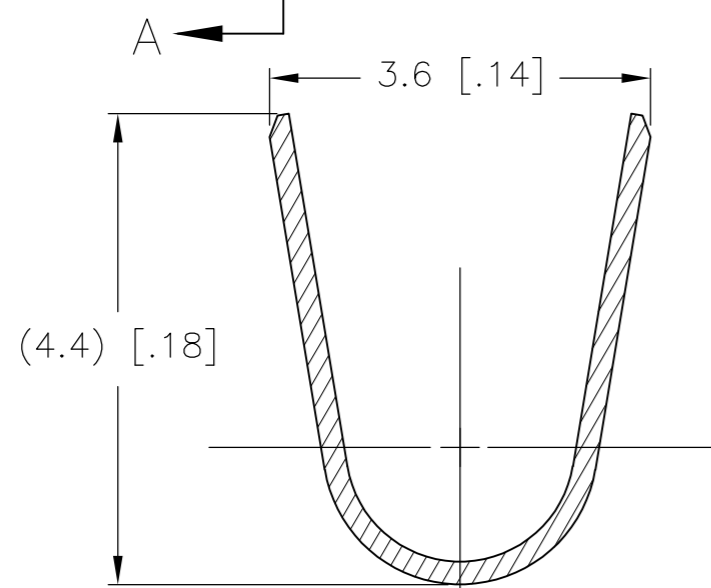
A



- HAND TOOL PART NUMBER 734202-2.
- EXTRACTION TOOL PART NUMBER 188688-1
- LOOSE PIECE CONTACT
- AMP TRADEMARK
- MATERIAL PHOSPHOR BRONZE PRETINNED 1-3 $\mu$ m
- CUT OFF DIMENSION FOR LOOSE PIECE CONTACT 0.5 [.02] MAXIMUM.
- WIRE RANGE: 0.30-0.87mm<sup>2</sup> [.012-.034in<sup>2</sup>], (18-22 AWG).
- INSULATION RANGE: 1.50-2.40 [.059-.094] DIAMETER.

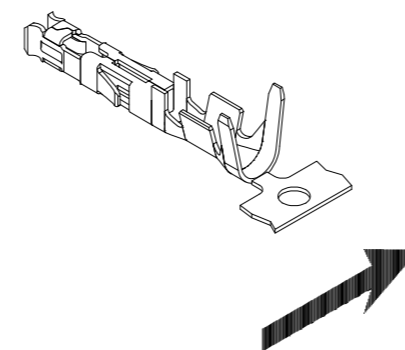


SECTION B-B  
SCALE 14:1



SECTION A-A  
SCALE 14:1

DIRECTION OFF TOP OF REEL



THIS DRAWING IS A CONTROLLED DOCUMENT.	
DIMENSIONS: mm [INCHES]	TOLERANCES UNLESS OTHERWISE SPECIFIED:
0 PLC ±	1 PLC ±
2 PLC ± 0.10 [.004]	3 PLC ±
4 PLC ±	ANGLES ±
MATERIAL SEE CHART	FINISH SEE CHART

DWN S. HOOVER 29-JAN-2004	CHK D. COLEY 29-JAN-2004	APVD D. COLEY 29-JAN-2004	NAME
TE Connectivity			SOCKET CONTACT AMP-DUAC™
SIZE A2	CAGE CODE 00779	DRAWING NO C=106529	RESTRICTED TO -
CUSTOMER DRAWING		SCALE 14:1	SHEET 1 OF 1
		REV H1	

3	PRETINNED	PHOSPHOR BRONZE	1-106529-2
	PRETINNED	PHOSPHOR BRONZE	106529-2
	FINISH	MATERIAL	PART NUMBER

106529

B

A