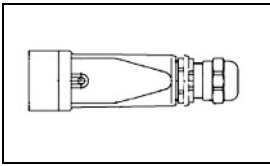


## 1-1102100-7 Product Details

[Share](#) [Print](#) [Email](#)



**1-1102100-7**

TE Internal Number: 1-1102100-7

Active

[View 3D PDF](#)

### HTS Connectors and Accessories

Always EU RoHS/ELV Compliant (Statement of Compliance)

#### Product Highlights:

- HA.3 Series
- Housing
- Product Size = 1
- Locking Device Type = None
- Top Entry Style

[View all Features](#)

### Quick Links

- ▶ [Pricing & Availability](#)
- ▶ [Search for Tooling](#)
- ▶ [Product Feature Selector](#)
- ▶ [Contact Us About This Product](#)

[Add to My Part List](#) [Request Sample](#) [Find Similar Products](#) [Buy Product](#)

### Documentation & Additional Information

#### Product Drawings:

- [Surface mounted housing](#) (PDF, English)

#### Catalog Pages/Data Sheets:

- None Available

#### Product Specifications:

- None Available

#### Application Specifications:

- None Available

#### Instruction Sheets:

- None Available

#### CAD Files: [\(CAD Format & Compression Information\)](#)

- [2D Drawing](#) (DXF, Version A3)
- [3D Model](#) (IGES, Version A3)
- [3D Model](#) (STEP, Version A3)

[List all Documents](#)

#### Additional Information:

- [Product Line Information](#)

#### Related Products:

- [Tooling](#)

### Product Features (Please use the Product Drawing for all design activity)

#### Product Type Features:

- Product Type = Housing
- Product Size = 1
- [Thread Size](#) = None
- Finish = Silver Gray

#### Body Features:

- Entry Style = Top
- Dimensions (L x H x W) (mm [in]) = 26.50 x 52.00 x 33.00 [1.043 x 2.047 x 1.299]
- Material = Die Cast Zinc Alloy
- Hood Style = Standard

#### Contact Features:

- Corrosion Protected = No

#### Configuration Features:

- Locking Device Type = None

#### Industry Standards:

- [RoHS/ELV Compliance](#) = RoHS compliant, ELV compliant
- [Lead Free Solder Processes](#) = Not relevant for lead free process
- RoHS/ELV Compliance History = Always was RoHS compliant

#### Packaging Features:

- Packaging Method = Loose Piece
- Packaging Quantity = 10

#### Other:

- Series = HA.3
- Brand = HTS
- Comment = Includes cable fitting.

### Corporate Information

- [About TE](#)
- [Investors](#)
- [News Room](#)
- [Supplier Portal](#)
- [Careers](#)
- [Terms & Conditions](#)
- [Privacy Policy](#)

### Quick Links

- [Distributor Inventory](#)
- [Product Cross Reference](#)
- [Documents & Drawings](#)
- [Product Compliance Support Center](#)
- [Site Map](#)

### Customer Support

- [Email or Chat With Us](#)
- [Find a Phone Number](#)
- [Knowledge Base](#)
- [Manage Your Account](#)

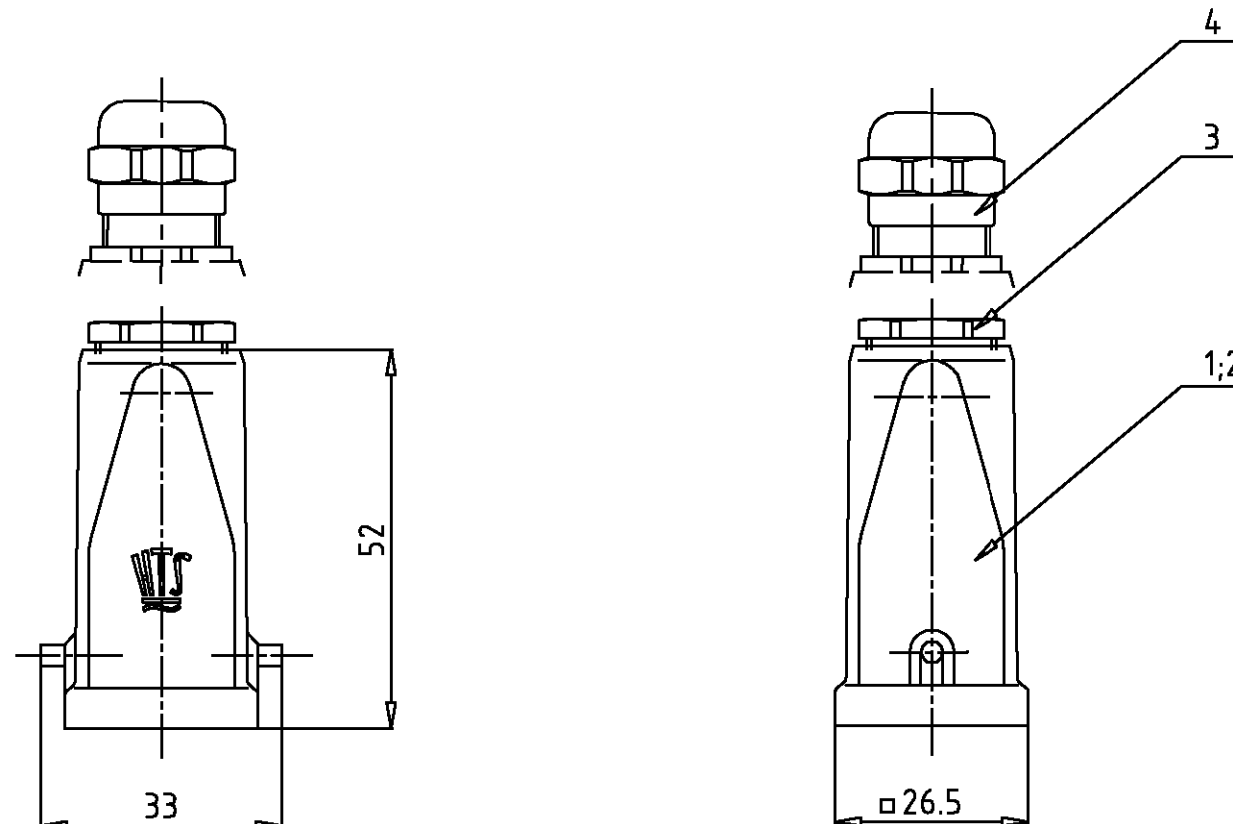
**Keep Me Informed**

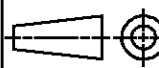
Notes

- ① Material: zink diecast
- ② Surface: - Varnish grey  
- black
- ③ Varnish on the inside not necessarily

Bemerkungen

- ① Material: Zink-Druckguß Legierung
- ② Oberfläche: - Lackierung grau  
- schwarz
- ③ Lackierung im Gehäuseinnere ist nicht notwendig



-	1	-	HUT-Verschraubung PG11	Messing/brass	vernickelt	-	4		
1	-	1	PG-Verschraubung PG11	Messing/brass	vernickelt	-	3		
1	1	-	Steckergehäuse HA3	Zink/zinc diecast	-	Schwarz/black	2		
-	-	1	Steckergehäuse HA3	Zink/zinc diecast	-	Grau/grey	1		
0-1	2-7	1-7	DESCRIPTION / BENENNUNG	MATERIAL	SURFACE / OBERFLÄCHE	COLOR / FARBE	ITEM NO. Pgs.	REMARKS / BEMERKUNGEN	
HA.3.STO.1.11-S0	HA-K.3.STO.1.11	HA.3.STO.1.11	ORDERING TEXT / BESTELLTEXT  DIMENSIONS: DIMENSIONEN: mm    MATERIAL  TOLERANCES UNLESS OTHERWISE SPECIFIED: ALL GEMEINTOLERANZEN n. ISO 8015 n. ISO 2768 - mH -E n. DIN 16901 - 140  ANGLES / WINKEL #- FINISH / OBERFLÄCHE / FARBE	DWN Kramer	22.07.1997	AMP		HTS Elektrotechnik 53819 Neunkirchen, Germany	
				CHK -	APVD -	-	NAME SURFACE MOUNTED HOUSING STECKERGEHÄUSE HA.3		
				0 PLC 1 PLC 2 PLC 3 PLC	PRODUCT SPEC PRODUKTSPEZ. 108-74000	APPLICATION SPEC VERARBEITUNGSSPEZ. 114-74002	SIZE A3	CAGE CODE 00779	DRAWING NO ZEICHNUNGS-NR. 1102100
				①	②	WEIGHT GEWICHT -	RESTRICTED TO NUR FUER -	CUSTOMER DRAWING /KUNDENZEICHNUNG	MASSTAB 1:1 BLATT 1 OF 1 REV A3