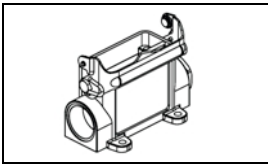


1-1102123-2 Product Details

[Share](#) [Print](#) [Email](#)



1-1102123-2

TE Internal Number: 1-1102123-2

Active

HTS Connectors and Accessories

Always EU RoHS/ELV Compliant (Statement of Compliance)

Product Highlights:

- HA.10 Series
- Housing
- Product Size = 2
- Locking Device Type = Side Clip at Housing Bottom
- Side Entry Style

[View all Features](#)

Quick Links

- ▶ [Pricing & Availability](#)
- ▶ [Search for Tooling](#)
- ▶ [Product Feature Selector](#)
- ▶ [Contact Us About This Product](#)

[Add to My Part List](#)

[Request Sample](#)

[Find Similar Products](#)

[Buy Product](#)

Documentation & Additional Information

Product Drawings:

- [SURFACE MOUNTED HOUSING-SIDE ENTRY HA.10.SG-LB.1.16 \(PDF, English\)](#)

Catalog Pages/Data Sheets:

- None Available

Product Specifications:

- None Available

Application Specifications:

- None Available

Instruction Sheets:

- None Available

CAD Files:

- None Available

Additional Information:

- [Product Line Information](#)

Related Products:

- [Tooling](#)

[List all Documents](#)

Product Features (Please use the Product Drawing for all design activity)

Product Type Features:

- Product Type = Housing
- Product Size = 2
- [Thread Size](#) = PG16
- Color = Gray

Mechanical Attachment:

- Mount = Surface Mount

Body Features:

- Entry Style = Side
- Dimensions (L x H x W) (mm [in]) = 80.5 x 47.0 x 50.0 [3.17 x 1.85 x 1.97]
- Material = Die Cast Aluminum

Contact Features:

- Corrosion Protected = No

Configuration Features:

- Locking Device Type = Side Clip at Housing Bottom

Industry Standards:

- [RoHS/ELV Compliance](#) = RoHS compliant, ELV compliant
- [Lead Free Solder Processes](#) = Not relevant for lead free process
- [RoHS/ELV Compliance History](#) = Always was RoHS compliant

Conditions for Usage:

- Applies To = Cable

Packaging Features:

- Packaging Method = Box
- Packaging Quantity = 5

Other:

- Series = HA.10
- Brand = HTS
- Comment = Includes cable fitting

Corporate Information

- [About TE](#)
- [Investors](#)
- [News Room](#)
- [Supplier Portal](#)
- [Careers](#)
- [Terms & Conditions](#)
- [Privacy Policy](#)

Quick Links

- [Distributor Inventory](#)
- [Product Cross Reference](#)
- [Documents & Drawings](#)
- [Product Compliance Support Center](#)
- [Site Map](#)

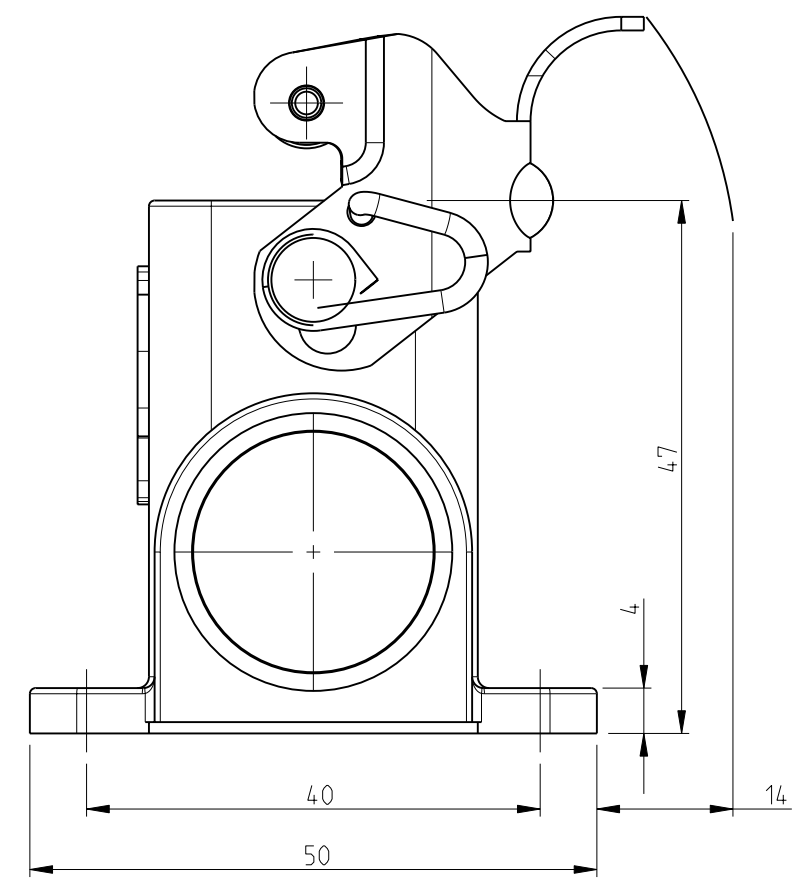
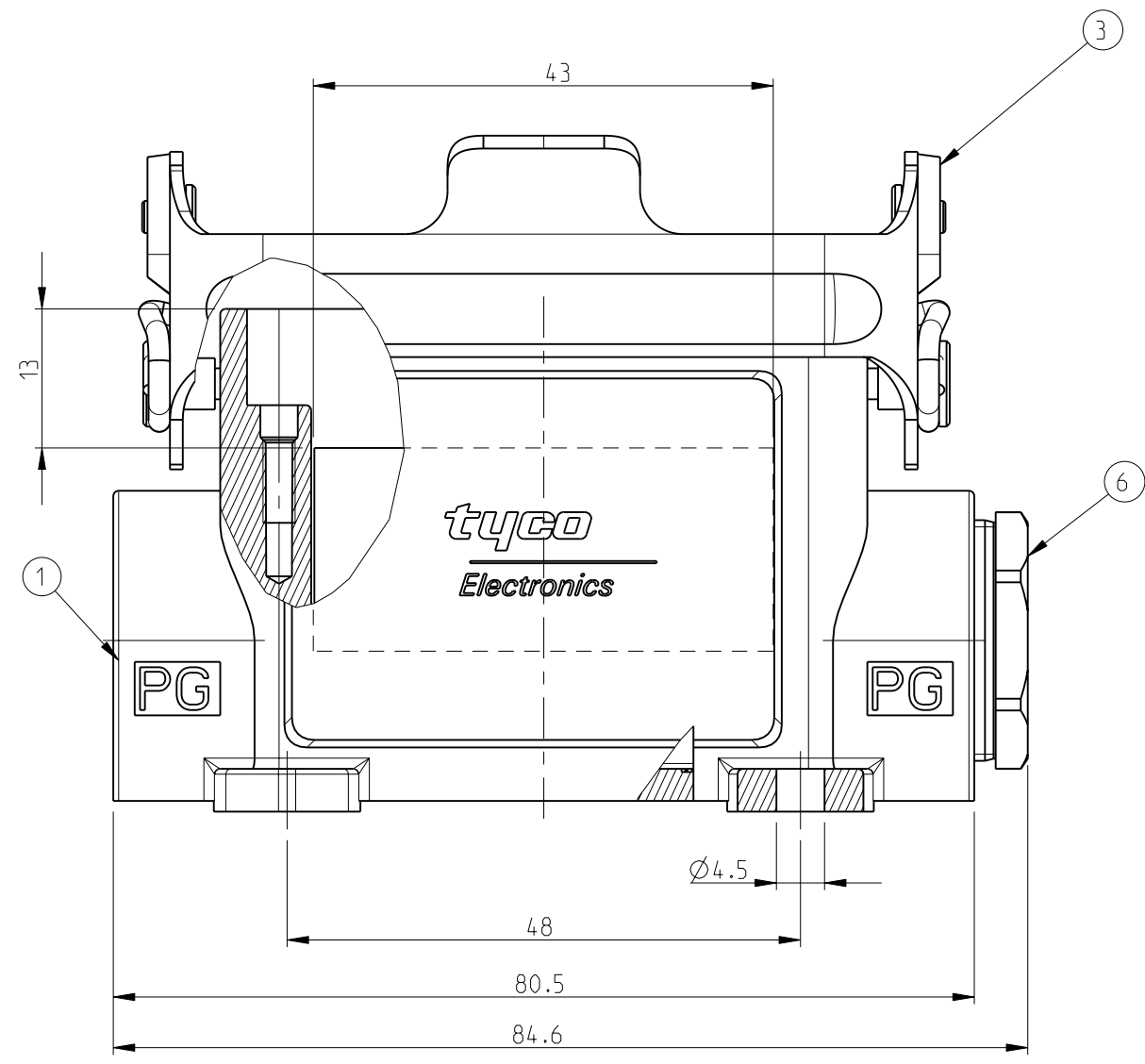
Customer Support

- [Email or Chat With Us](#)
- [Find a Phone Number](#)
- [Knowledge Base](#)
- [Manage Your Account](#)

Keep Me Informed

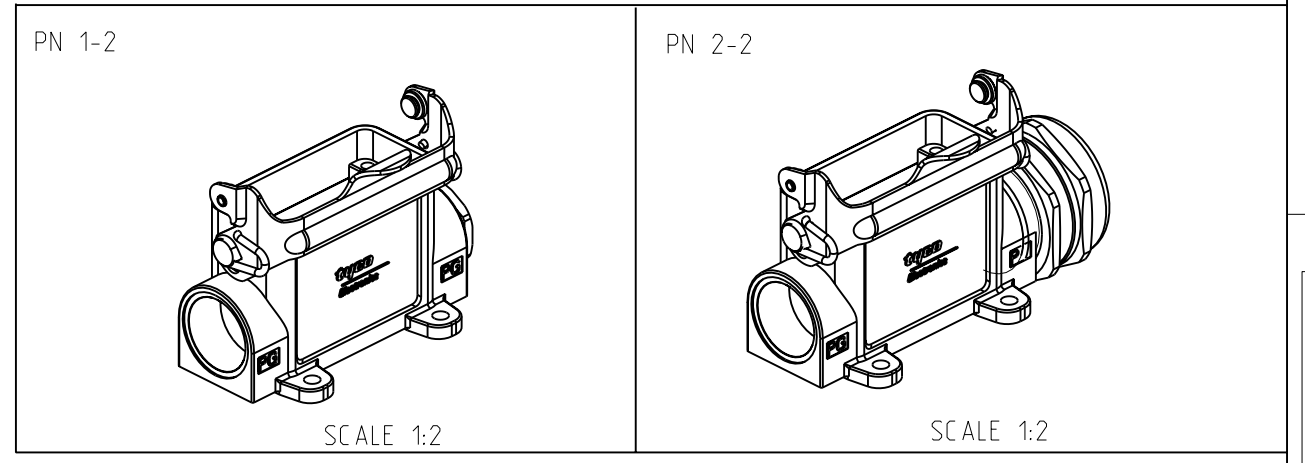
THIS DRAWING IS UNPUBLISHED. RELEASED FOR PUBLICATION 2000
 © COPYRIGHT 2000 BY TYCO ELECTRONICS CORPORATION. ALL RIGHTS RESERVED.

PN 1-2

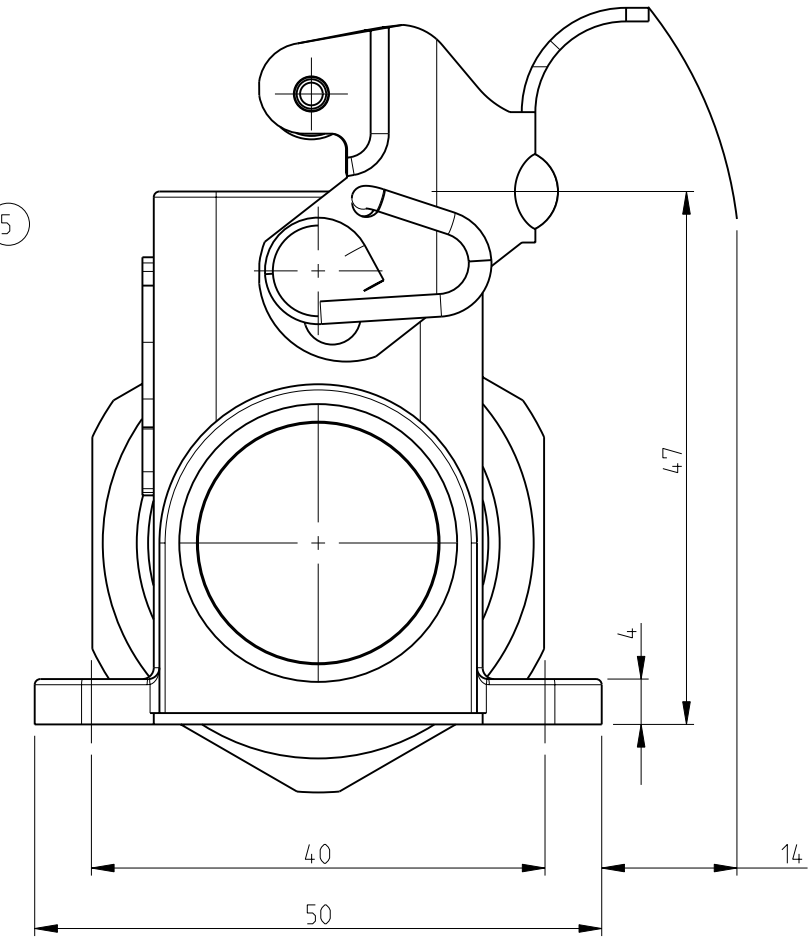
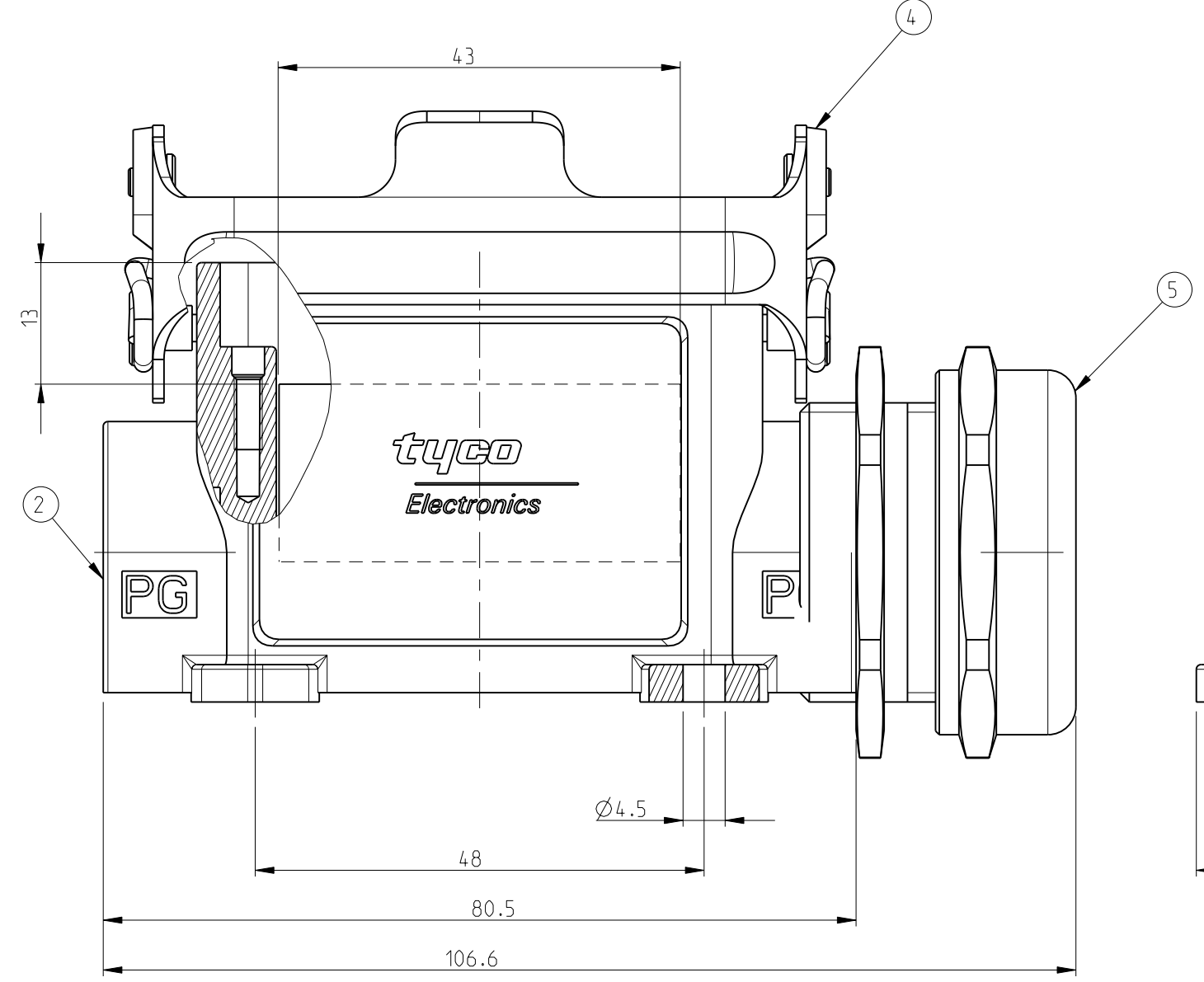


| LOC | DIST | REVISIONS | | | | |
|-----|------|-------------|-------------------------------|-------------|------|----|
| P | LTR | DESCRIPTION | DATE | DWN | APVD | |
| A1 | - | B2 | RELEASED AS PER ECR-09-005170 | 05.MAR.2009 | GG | TS |

- NOTES
- 1 PACKAGING QUANTITY:5 PIECES PER BOX
 - 2 MATERIAL:HOUSING:ALUMINIUM DIECASTING ALLOY
SEALS:NEOPRENE
 - 3 SURFACE:VARNISH-GREY
 - 4 VARNISH ON THE INSIDE NOT NECESSARILY



PN 2-2



| QTY | DESCRIPTION | MATERIAL | SURFACE | COLOR | ITEM NO | REMARKS |
|-----|-------------------------|----------------|-----------------|-------|---------|---------|
| - 1 | CABLE FITTING | BRASS | NICKEL PLATED | BLUE | 6 | - |
| 1 | GLAND FITTING | BRASS | NICKEL PLATED | BLUE | 5 | - |
| 1 | CLIP | STAINLES STEEL | BLANK | - | 4 | - |
| - 1 | CLIP | STEEL | ZINC PLATED | BLUE | 3 | - |
| 1 | SURFACE MOUNTED HOUSING | ALUMINIUM | ALUMINIUM OXIDE | BLACK | 2 | - |
| - 1 | SURFACE MOUNTED HOUSING | ALUMINIUM | - | GREY | 1 | - |

THIS DRAWING IS A CONTROLLED DOCUMENT FOR TYCO ELECTRONICS CORPORATION IT IS SUBJECT TO CHANGE AND THE CONTROLLING ENGINEERING ORGANIZATION SHOULD BE CONTACTED FOR THE LATEST REVISION.

DWN: S.KUMAR 02.24.2006
 CHK: R.SRINIVAS 02.24.2006
 APVD: T.SCHNURPFITZ 02.24.2006

Tyco Electronics Tyco Electronics, AMP.GmbH
 53757 Sankt Augustin, Germany

NAME: SURFACE MOUNTED HOUSING-SIDE ENTRY
 HA.10.SG-LB.1.16

SIZE: A2 CAGE CODE: 00779 DRAWING NO: 1102123 RESTRICTED TO: -

MATERIAL: ALUMINIUM FINISH: VARNISH-GREY

WEIGHT: -

CUSTOMER DRAWING SCALE: 5:1 SHEET 1 OF 1 REV: B2