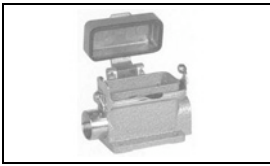


1-1102128-2 Product Details

[Share](#) [Print](#) [Email](#)



1-1102128-2

TE Internal Number: 1-1102128-2
 Active

[View 3D PDF](#)

HTS Connectors and Accessories

Always EU RoHS/ELV Compliant (Statement of Compliance)

Product Highlights:

- HA Series
- Housing
- Product Size = 2
- Locking Device Type = Side Clip at Housing Bottom
- Side Entry Style

[View all Features](#)

Quick Links

- ▶ [Pricing & Availability](#)
- ▶ [Search for Tooling](#)
- ▶ [Product Feature Selector](#)
- ▶ [Contact Us About This Product](#)

[Add to My Part List](#) [Request Sample](#) [Find Similar Products](#) [Buy Product](#)

Documentation & Additional Information

Product Drawings:

- [SURFACE MOUNTED HOUSING-SIDE ENTRY HA.10.SGD-LB.1.16.Z](#) (PDF, English)

Catalog Pages/Data Sheets:

- [HTS Heavy Duty Connectors catalogue](#) (PDF, English)

Product Specifications:

- None Available

Application Specifications:

- None Available

Instruction Sheets:

- None Available

CAD Files: [\(CAD Format & Compression Information\)](#)

- [2D Drawing](#) (DXF, Version B2)
- [3D Model](#) (IGES, Version B2)
- [3D Model](#) (STEP, Version B2)

[List all Documents](#)

Additional Information:

- [Product Line Information](#)

Related Products:

- [Tooling](#)

Product Features (Please use the Product Drawing for all design activity)

Product Type Features:

- Product Type = Housing
- Product Size = 2
- [Thread Size](#) = PG16
- Finish = Silver Gray

Body Features:

- Entry Style = Side
- Dimensions (L x H x W) (mm [in]) = 72.5 x 47.0 x 50.0 [2.86 x 1.85 x 1.97]
- Material = Die Cast Aluminum

Contact Features:

- Corrosion Protected = No

Configuration Features:

- Locking Device Type = Side Clip at Housing Bottom

Industry Standards:

- [RoHS/ELV Compliance](#) = RoHS compliant, ELV compliant
- [Lead Free Solder Processes](#) = Not relevant for lead free process
- [RoHS/ELV Compliance History](#) = Always was RoHS compliant

Packaging Features:

- [Packaging Method](#) = Loose Piece/Bulk
- [Packaging Quantity](#) = 5

Other:

- [Series](#) = HA
- [Brand](#) = HTS
- [Comment](#) = With metal cover

Corporate Information

- [About TE](#)
- [Investors](#)
- [News Room](#)
- [Supplier Portal](#)
- [Careers](#)
- [Terms & Conditions](#)
- [Privacy Policy](#)

Quick Links

- [Distributor Inventory](#)
- [Product Cross Reference](#)
- [Documents & Drawings](#)
- [Product Compliance Support Center](#)
- [Site Map](#)

Customer Support

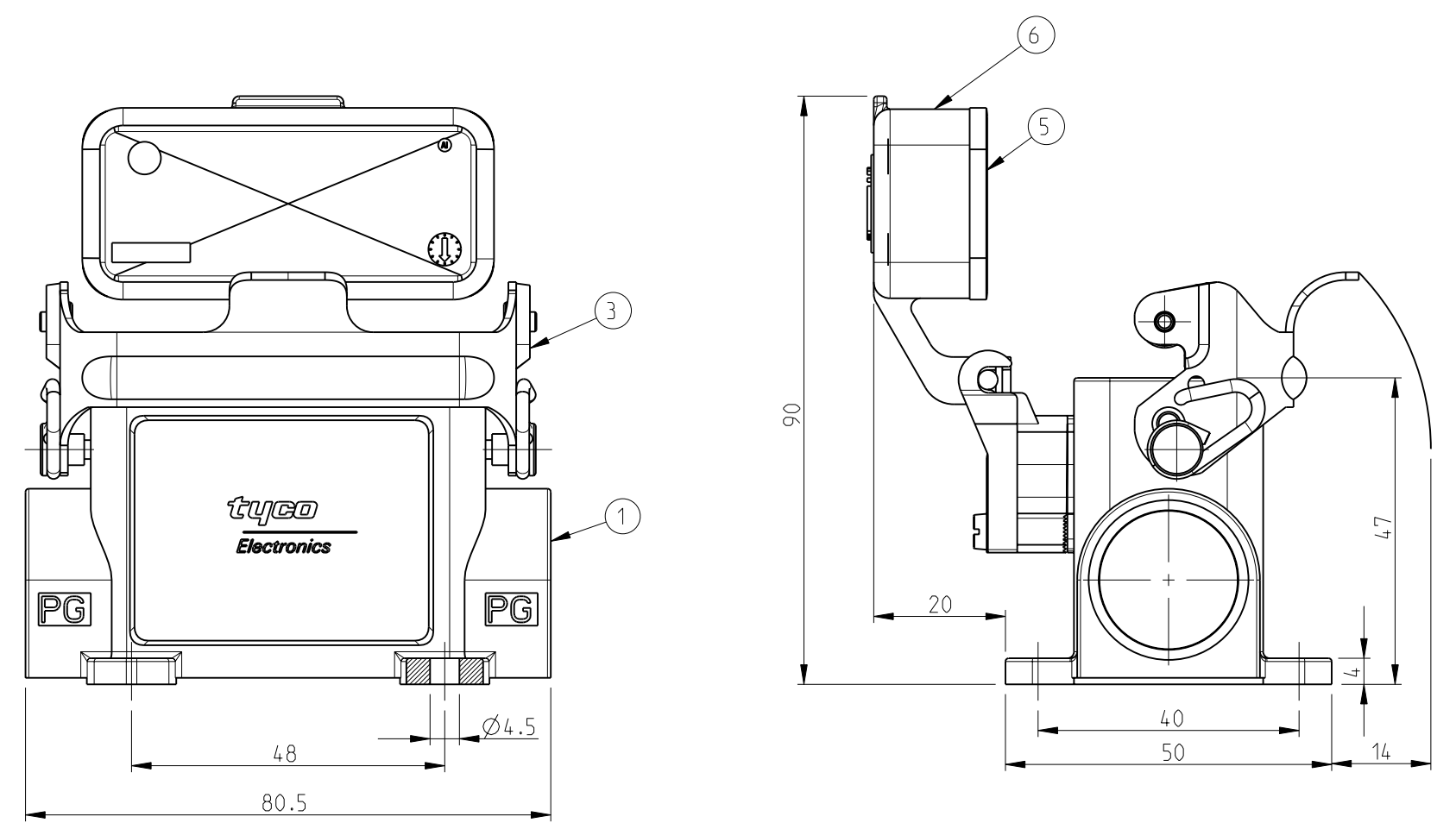
- [Email or Chat With Us](#)
- [Find a Phone Number](#)
- [Knowledge Base](#)
- [Manage Your Account](#)

Keep Me Informed

THIS DRAWING IS UNPUBLISHED. RELEASED FOR PUBLICATION 2000
 © COPYRIGHT 2000 BY TYCO ELECTRONICS CORPORATION. ALL RIGHTS RESERVED.

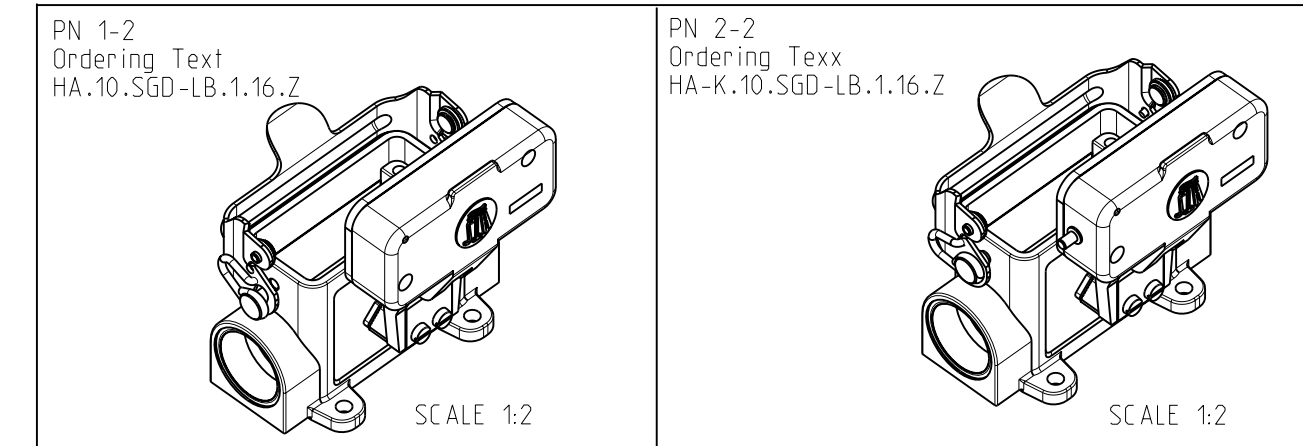
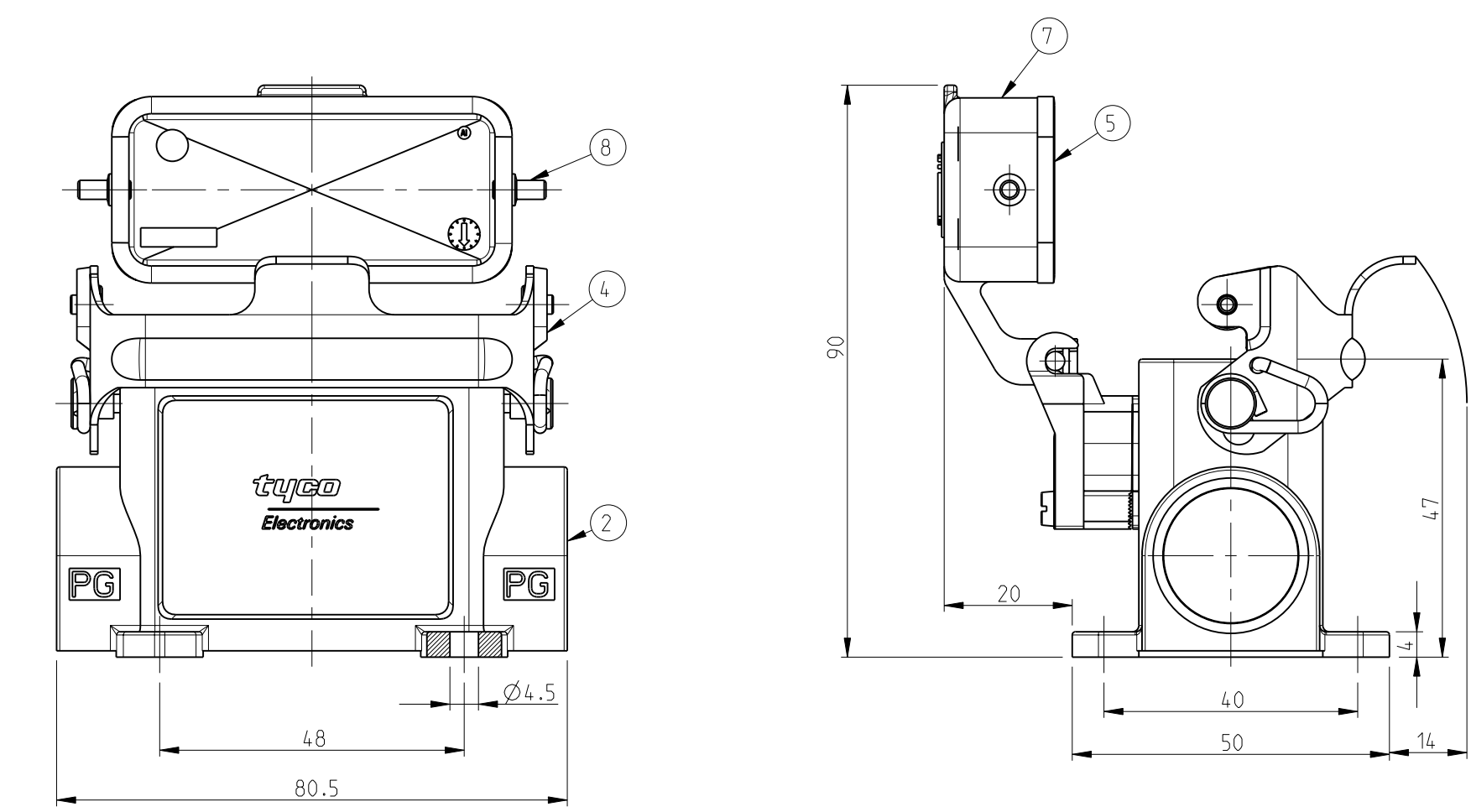
LOC		DIST		REVISIONS			
P	LTR	DESCRIPTION	DATE	DWN	APVD		
A1	-						
	B2	RELEASED AS PER ECR-09-005170	05.MAR.2009	GG	TS		

PN 1-2



- NOTES
- 1 MATERIAL:HOUSING:ALUMINIUM DIECASTING ALLOY
SEALS:NEOPRENE
 - 2 SURFACE:VARNISH-GREY
 - 3 PACKAGING QUANTITY:5 PIECES PER BOX
 - 4 VARNISH ON THE INSIDE NOT NECESSARY

PN 2-2



QTY	DESCRIPTION	MATERIAL	SURFACE	COLOR	ITEM NO	REMARKS
2	CLIP BOLT	STAINLESS STEEL		BLANK	8	-
1	COVER HA 10	ALUMINIUM	ALUMINIUM OXIDE	BLACK	7	-
-	COVER HA 10	ALUMINIUM	-	GREY	6	-
1	PROFILE SEAL	NEOPRENE		BLACK	5	-
1	CLIP	STAINLESS STEEL		BLANK	4	-
-	CLIP	STEEL	ZINC PLATED	BLUE	3	-
1	SURFACE MOUNTED HOUSING	ALUMINIUM	ALUMINIUM OXIDE	BLACK	2	-
-	SURFACE MOUNTED HOUSING	ALUMINIUM	-	GREY	1	-

THIS DRAWING IS A CONTROLLED DOCUMENT FOR TYCO ELECTRONICS CORPORATION IT IS SUBJECT TO CHANGE AND THE CONTROLLING ENGINEERING ORGANIZATION SHOULD BE CONTACTED FOR THE LATEST REVISION.

DWN: S.KUMAR 02.27.2006
 CHK: R.SRINIVAS 02.27.2006
 APVD: T.SCHNURPFEL 02.27.2006

Tyco Electronics Tyco Electronics, AMP.GmbH
 53757 Sankt Augustin, Germany

NAME: SURFACE MOUNTED HOUSING-SIDE ENTRY
 HA.10.SGD-LB.1.16.Z

SIZE: A2 CAGE CODE: 00779 DRAWING NO: 1102128 RESTRICTED TO: -

MATERIAL: 1 FINISH: 2

PRODUCT SPEC: APPLICATION SPEC WEIGHT: -

CUSTOMER DRAWING SCALE: 1:1 SHEET: 1 OF 1 REV: B2