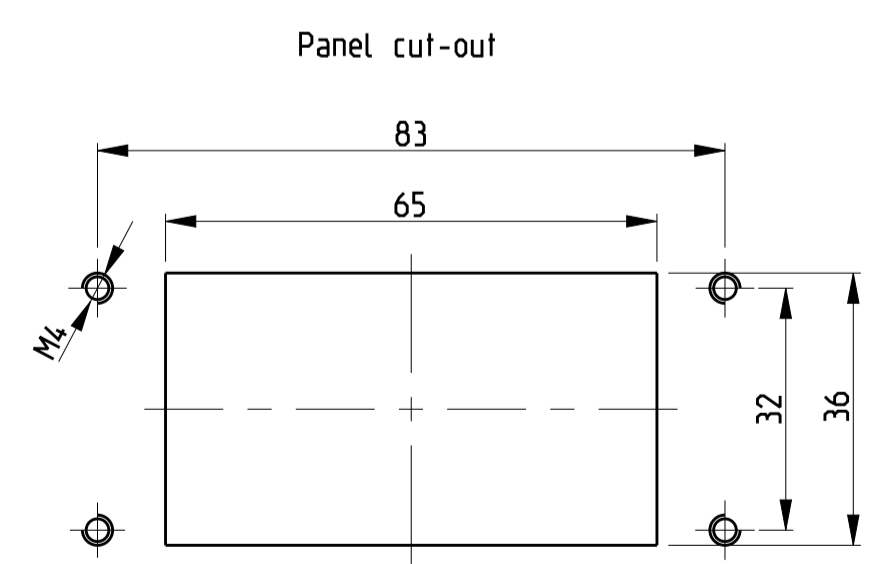
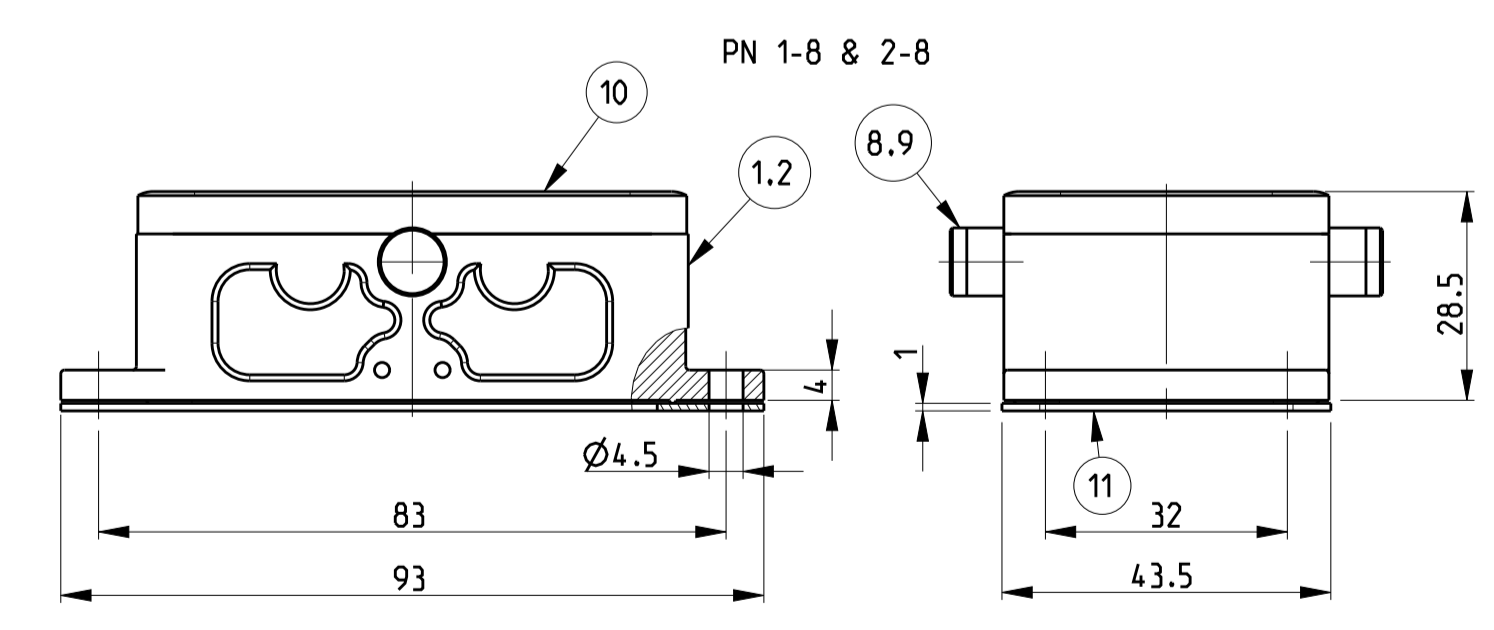
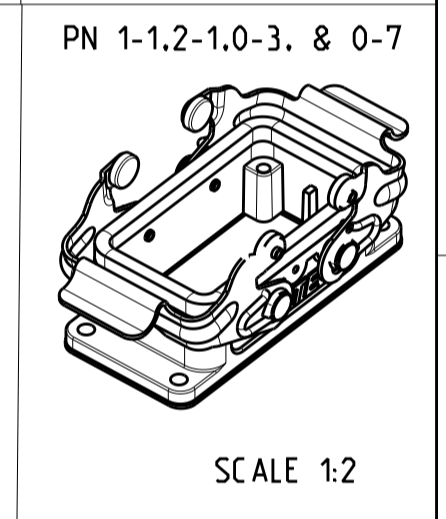
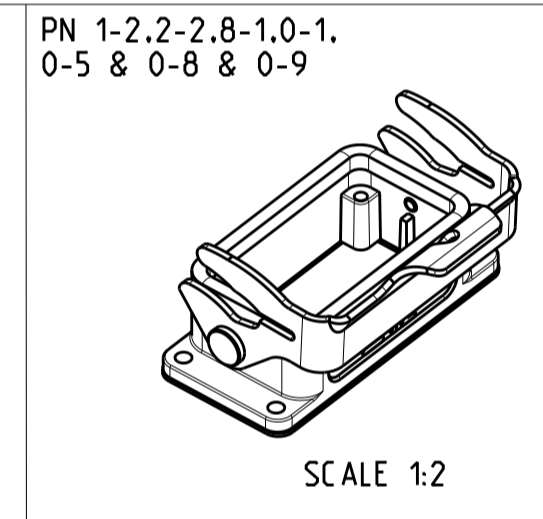
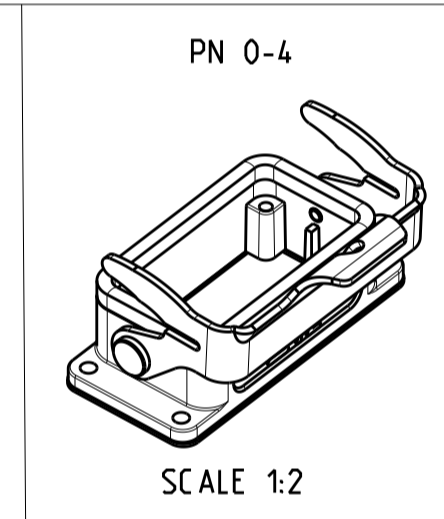
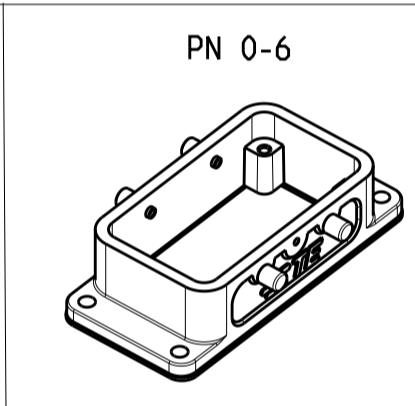
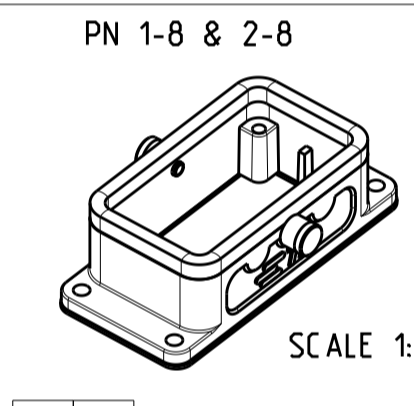
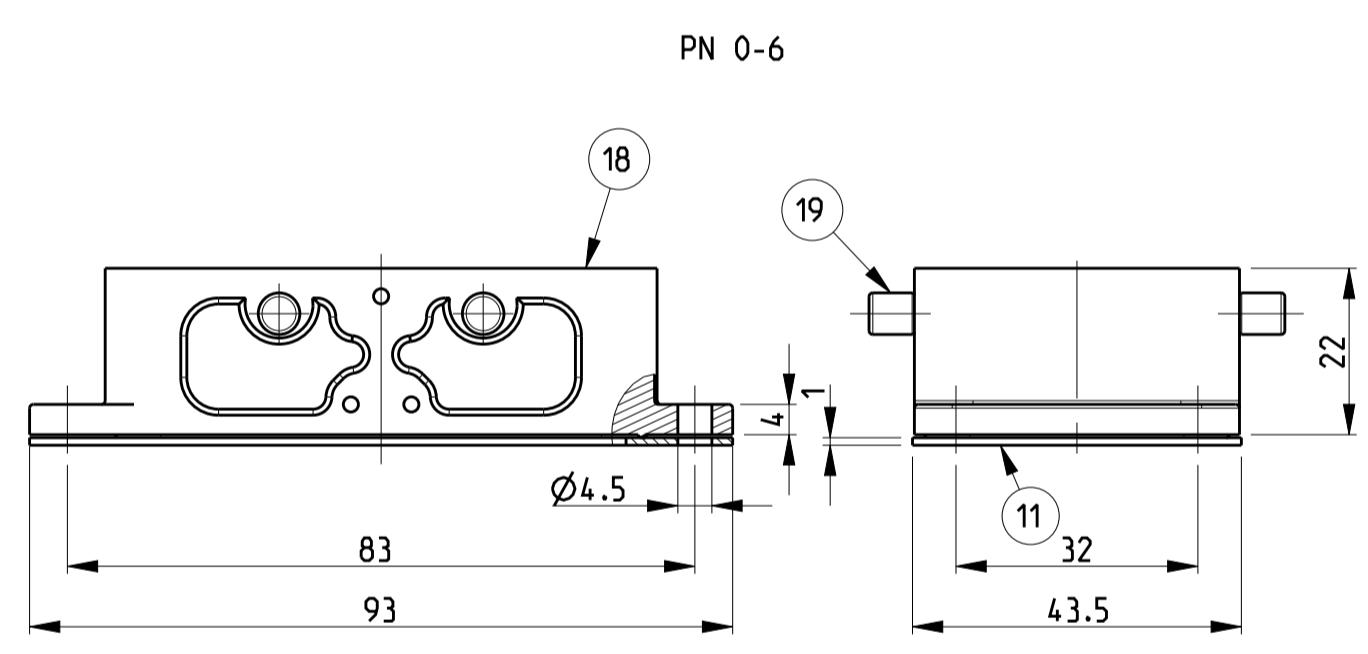
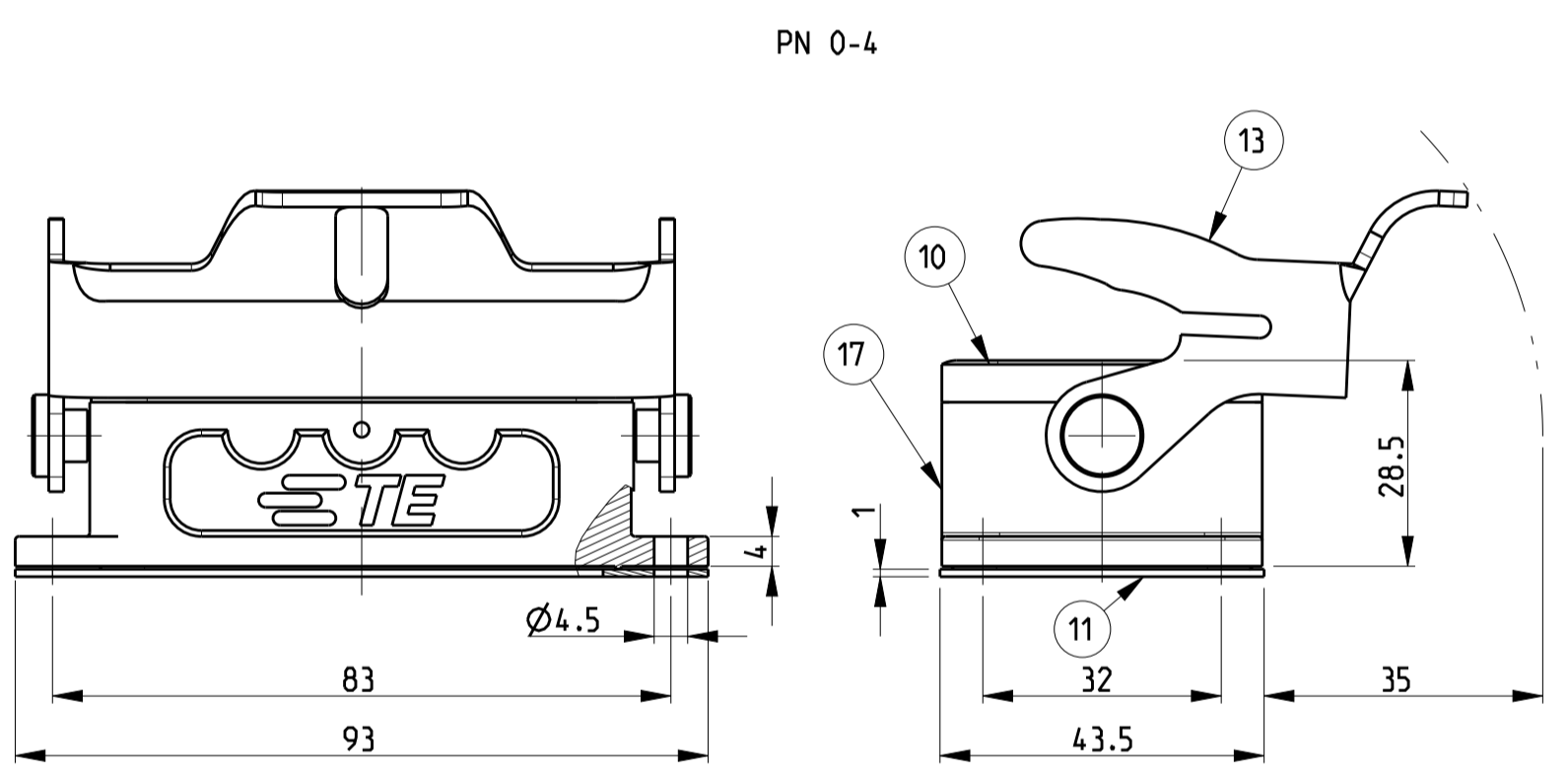
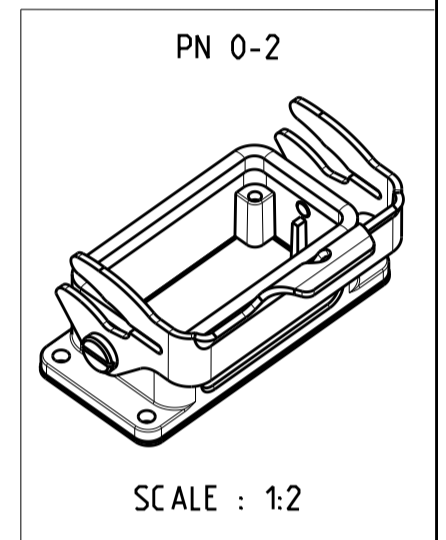
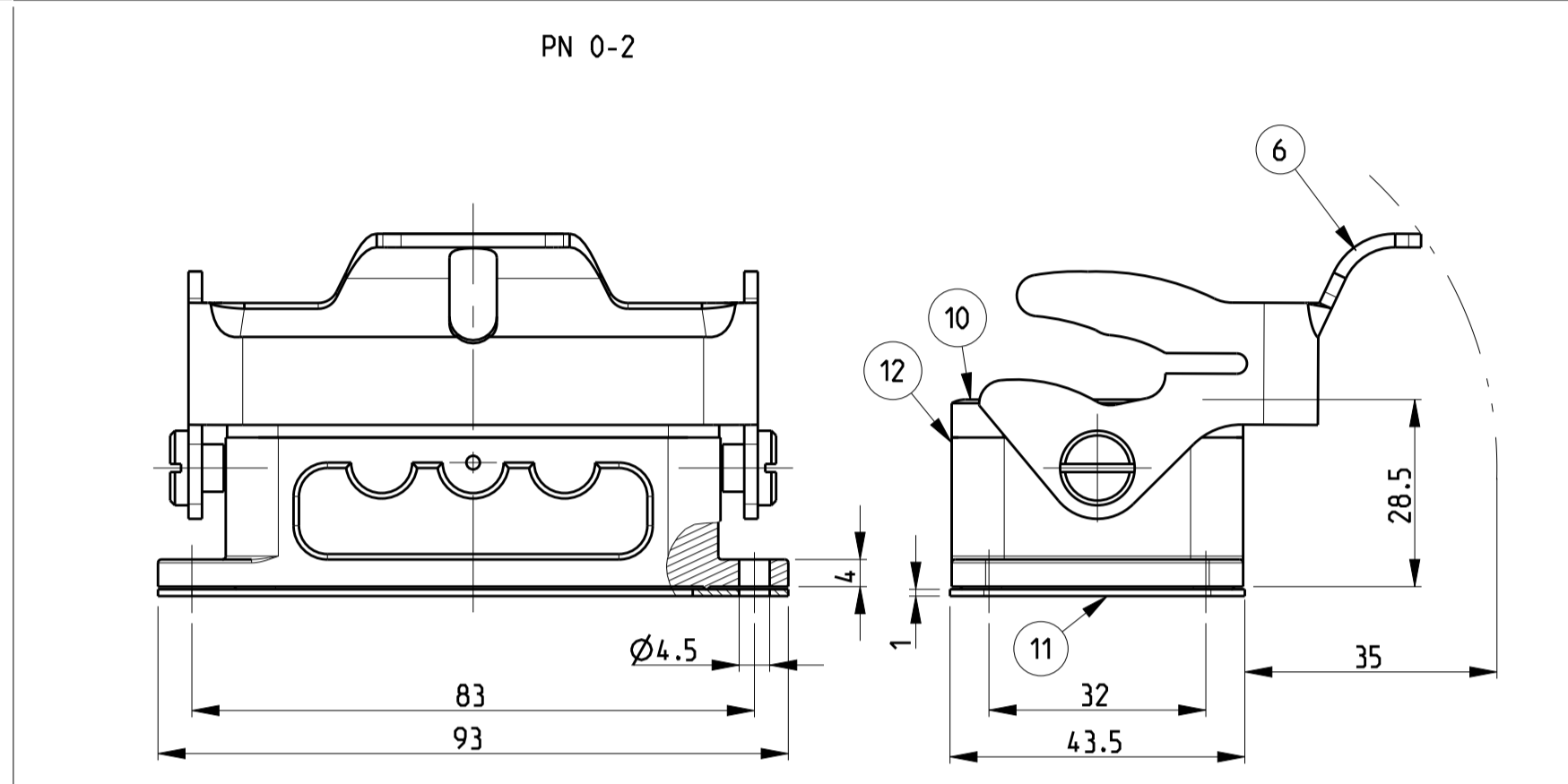
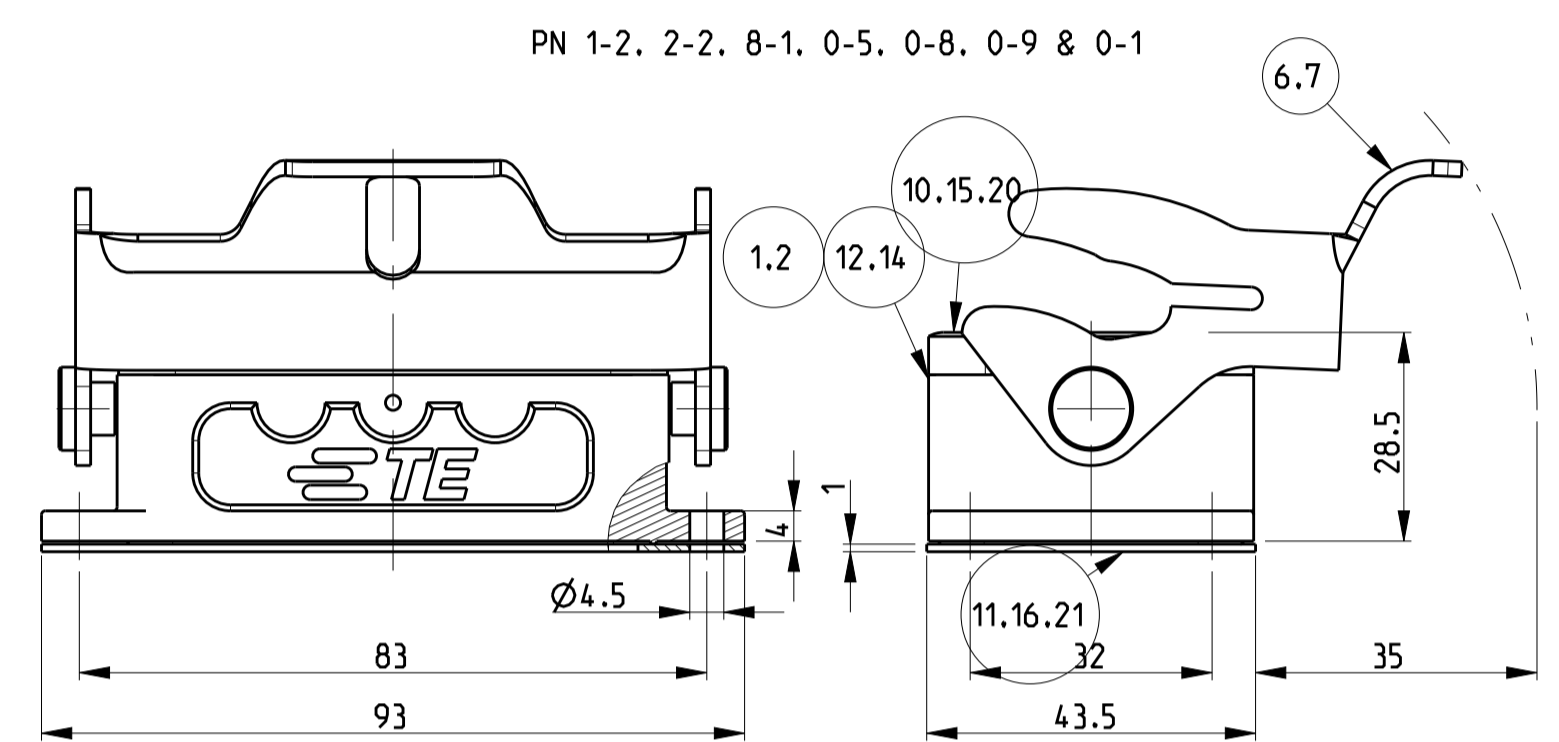
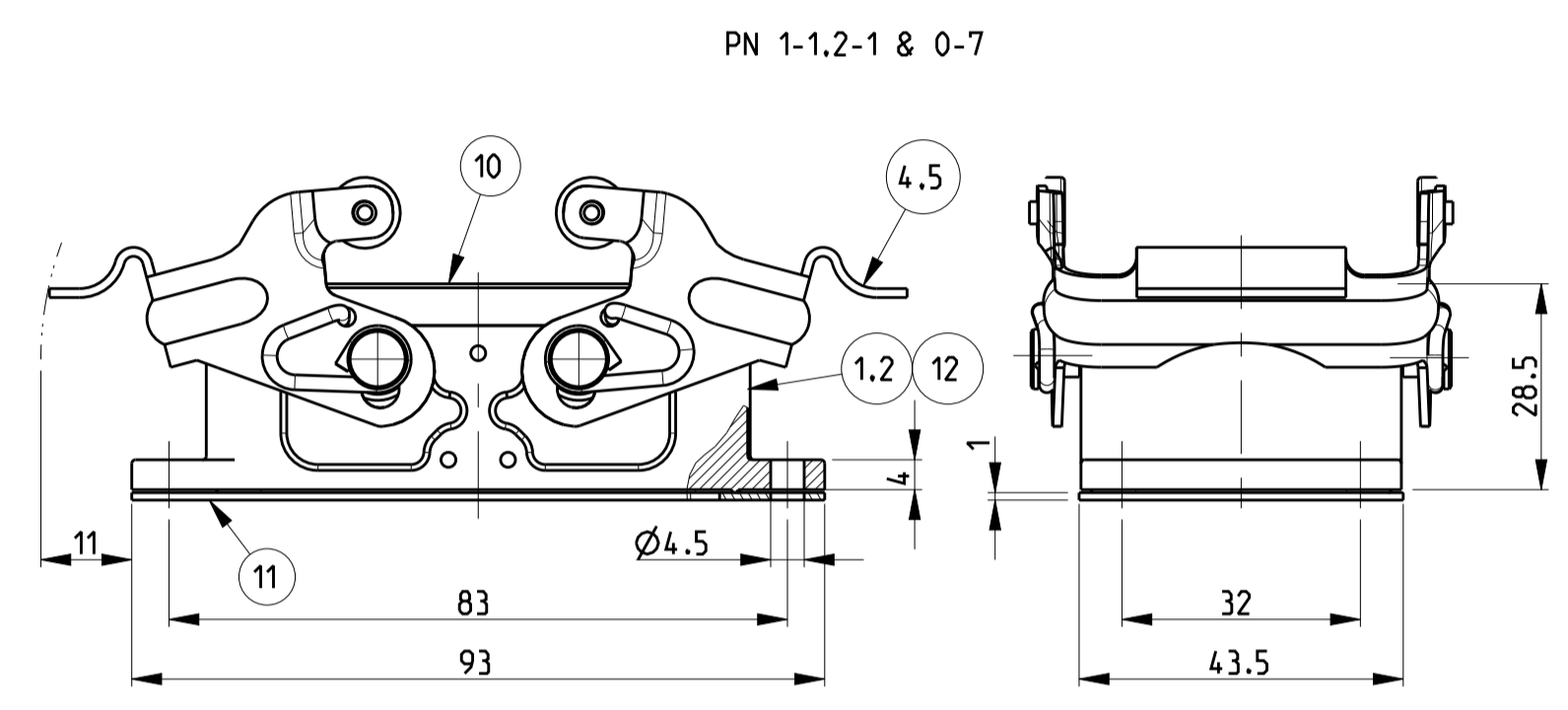


LOC	DIST	REVISIONS			
P	LTR	DESCRIPTION	DATE	DWN	APVD
B		ECR-16-004136	12APR2016	GCM	JB

- 1 Material: Housing: Aluminium Diecasting Alloy
Seals: Neoprene
- 2 Varnish on the inside not necessary
- 3 Packaging
packaging quantity 5 pieces in a box
- 4 Special design
- 5 Special packaging 50 pieces



QTY	DESCRIPTION	MATERIAL	SURFACE	COLOR	ITEM NO	NOTES
1	Flange seal				21	
1	Profile seal				20	
1	Clip bolt-VS	Steel	Zinc plated	Blue	19	
1	Surface mounted housing bottom entry HB	Aluminium		Grey	18	
1	Surface mounted housing bottom entry HB	Aluminium		Grey	17	Grey 120-160 µm
1	Flange seal	Neoprene			16	Conductive
1	Profile seal	Neoprene			15	Conductive
1	Surface mounted housing bottom entry HB	Aluminium		Without varnish	14	
1	Side clip-LB	Steel	Zinc plated	Blue	13	
1	Surface mounted housing bottom entry HB	Aluminium		Grey	12	Without logo
1	Flange seal	Neoprene		Black	11	
1	Profile seal	Neoprene		Black	10	
1	Clip bolt-ZB	Stainless steel		Blue	9	
1	Clip bolt-ZB	Steel	Zinc plated	Blue	8	
1	Side clip-LB	Stainless steel	Blank		7	
1	Side clip-LB	Steel	Zinc plated	Blue	6	
1	Locking clip-VS	Stainless steel			5	
1	Locking clip-VS	Steel	Zinc plated	Blue	4	
1	Surface mounted housing bottom entry HB	Aluminium		Without varnish	3	
1	Surface mounted housing bottom entry HB-K	Aluminium	Aluminium oxide	Black	2	
1	Surface mounted housing bottom entry HB	Aluminium		Grey	1	
0-10-9-0						
0-8-0-7-0						
0-6-0-5						
0-4-0-2						
0-2-8-1-2						
0-8-2-2						
1-2-2-1						
1-1						
ORDERING TEXT						
HB.10.AG-VS						
HB-K.10.AG-VS						
HB.10.AG-LB						
HB-K.10.AG-LB						
HB-Z.10.AG-ZVGR						
HB-K/Z.10.AG-ZVGR						
HB.10.AG-LB						
HB.10.AG-LB						
HB.10.AG-LB						
HB.10.AG-LB						
HB-EMV.10.AG-LB						
HB.10.AG-VS						
HB.10.AG-VS						
HB.10.AG-LB						
HB.10.AG-LB						

THIS DRAWING IS A CONTROLLED DOCUMENT.		DWN: Schwegler 23.07.1997	 TE Connectivity
DIMENSIONS: mm		CHK: Kramer 23.06.1998	
TOLERANCES UNLESS OTHERWISE SPECIFIED:		APVD: -	NAME: Surface Mounted Housing Bottom Entry HB.10
0 PLC ± 1 PLC ± 2 PLC ± 3 PLC ± 4 PLC ± ANGLES ° FINISH		PRODUCT SPEC: 108-74001/74003	SIZE: A1
MATERIAL		APPLICATION SPEC: 114-74001/74004/74005	CAGE CODE: 00779
		WEIGHT	DRAWING NO: C=1102271
		CUSTOMER DRAWING	SCALE: 1:1 SHEET 1 OF 1 REV B