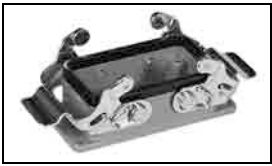


## 1-1102296-1 Product Details

[Share](#) [Print](#) [Email](#)



**1-1102296-1**

TE Internal Number: 1-1102296-1

Active

[View 3D PDF](#)

### HTS Connectors and Accessories

Always EU RoHS/ELV Compliant (Statement of Compliance)

#### Product Highlights:

- HB Series
- Housing
- Product Size = 6
- Locking Device Type = Locking Clip at Housing Bottom
- Bottom Entry Style

[View all Features](#)

### Quick Links

- ▶ [Pricing & Availability](#)
- ▶ [Search for Tooling](#)
- ▶ [Product Feature Selector](#)
- ▶ [Contact Us About This Product](#)

[Add to My Part List](#) [Request Sample](#) [Find Similar Products](#) [Buy Product](#)

### Documentation & Additional Information

#### Product Drawings:

- [Surface Mounted housing Bottom Entry HB.16 \(PDF, English\)](#)

#### Catalog Pages/Data Sheets:

- [HTS Heavy Duty Connectors catalogue \(PDF, English\)](#)

#### Product Specifications:

- None Available

#### Application Specifications:

- None Available

#### Instruction Sheets:

- None Available

#### CAD Files: [\(CAD Format & Compression Information\)](#)

- [2D Drawing \(DXF, Version B\)](#)
- [3D Model \(IGES, Version B\)](#)
- [3D Model \(STEP, Version B\)](#)

[List all Documents](#)

#### Additional Information:

- [Product Line Information](#)

#### Related Products:

- [Tooling](#)

### Product Features (Please use the Product Drawing for all design activity)

#### Product Type Features:

- Product Type = Housing
- Product Size = 6
- [Thread Size](#) = None
- Finish = Silver Gray

#### Body Features:

- Entry Style = Bottom
- Dimensions (L x H x W) (mm [in]) = 113.00 x 4.50 x 57.00 [4.449 x .177 x 2.244]
- Material = Die Cast Aluminum

#### Contact Features:

- Corrosion Protected = No

#### Configuration Features:

- Locking Device Type = Locking Clip at Housing Bottom

#### Industry Standards:

- [RoHS/ELV Compliance](#) = RoHS compliant, ELV compliant
- [Lead Free Solder Processes](#) = Not relevant for lead free process
- RoHS/ELV Compliance History = Always was RoHS compliant

#### Packaging Features:

- Packaging Method = Loose Piece
- Packaging Quantity = 5

#### Other:

- Series = HB
- Brand = HTS

### Corporate Information

- [About TE](#)
- [Investors](#)
- [News Room](#)
- [Supplier Portal](#)
- [Careers](#)
- [Terms & Conditions](#)
- [Privacy Policy](#)
- [AODA Accessibility Policy](#)

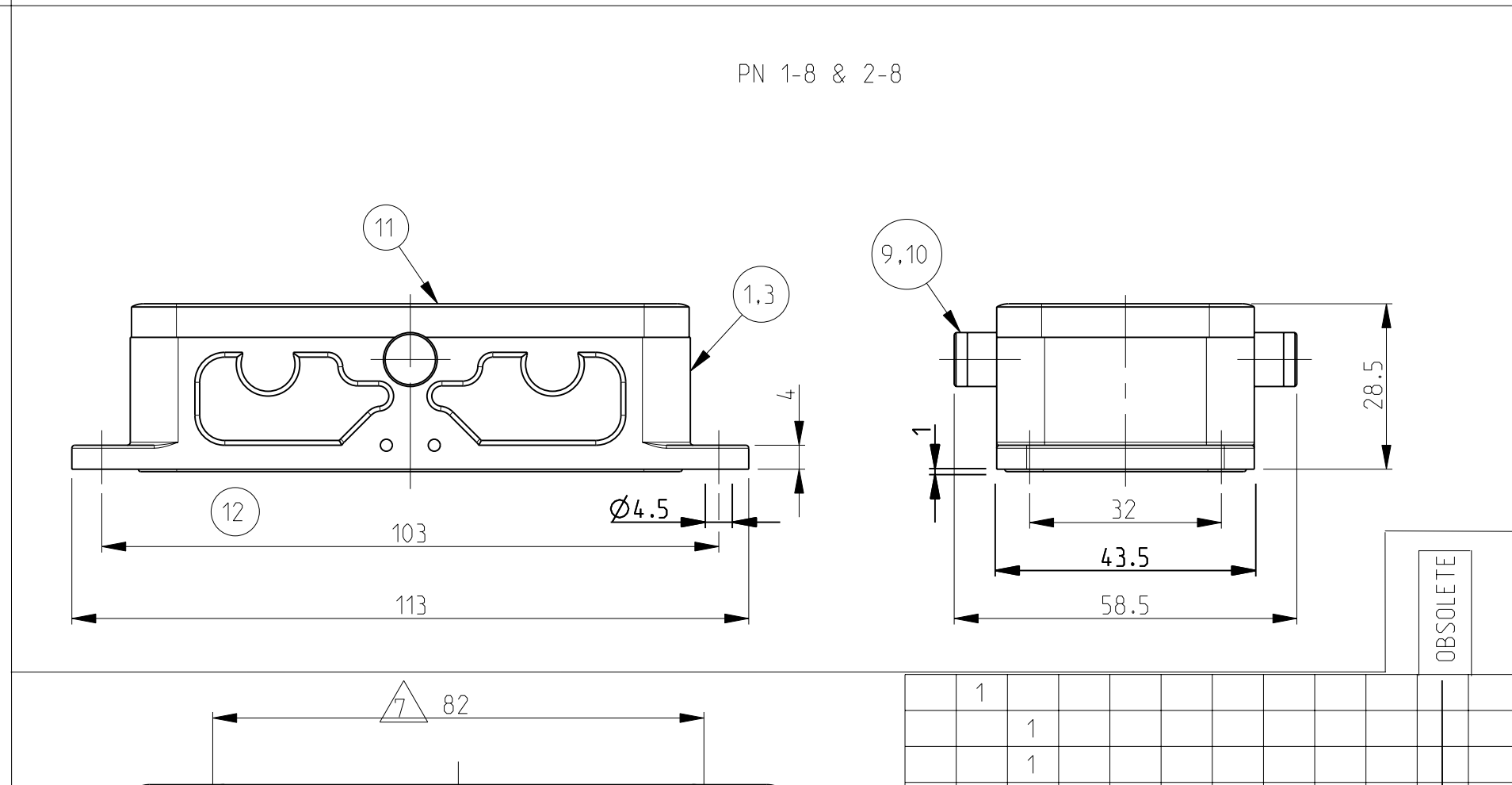
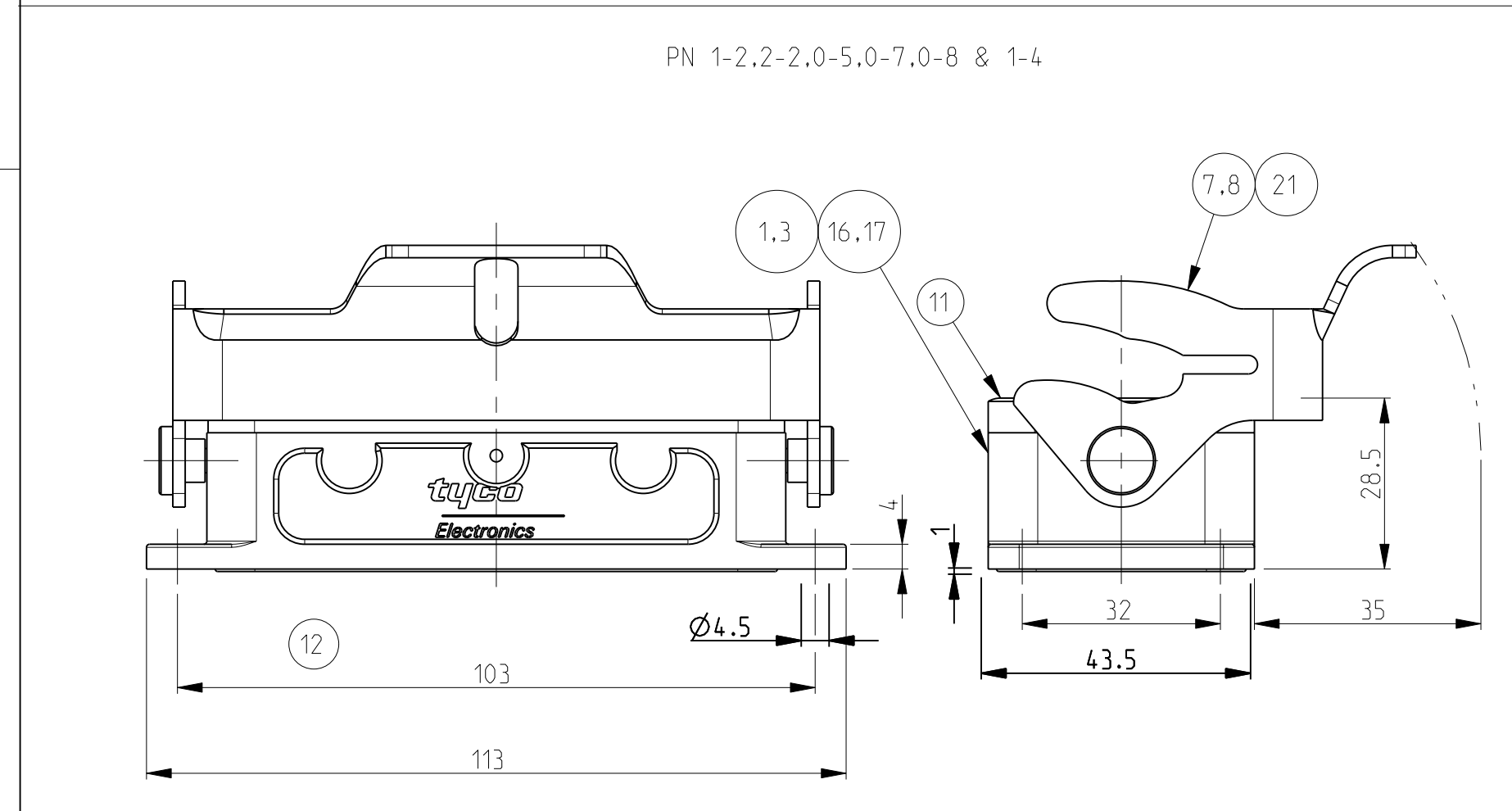
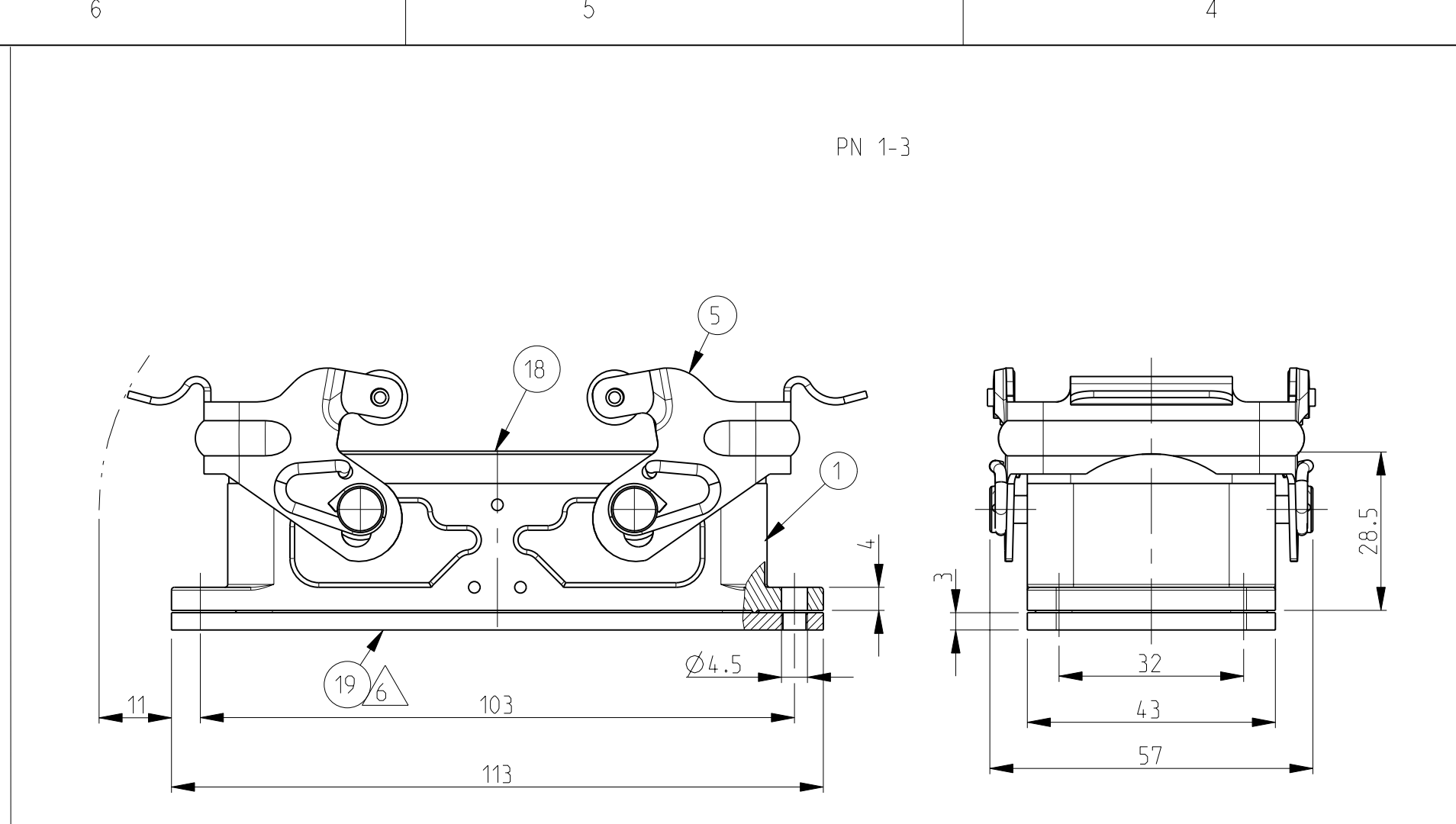
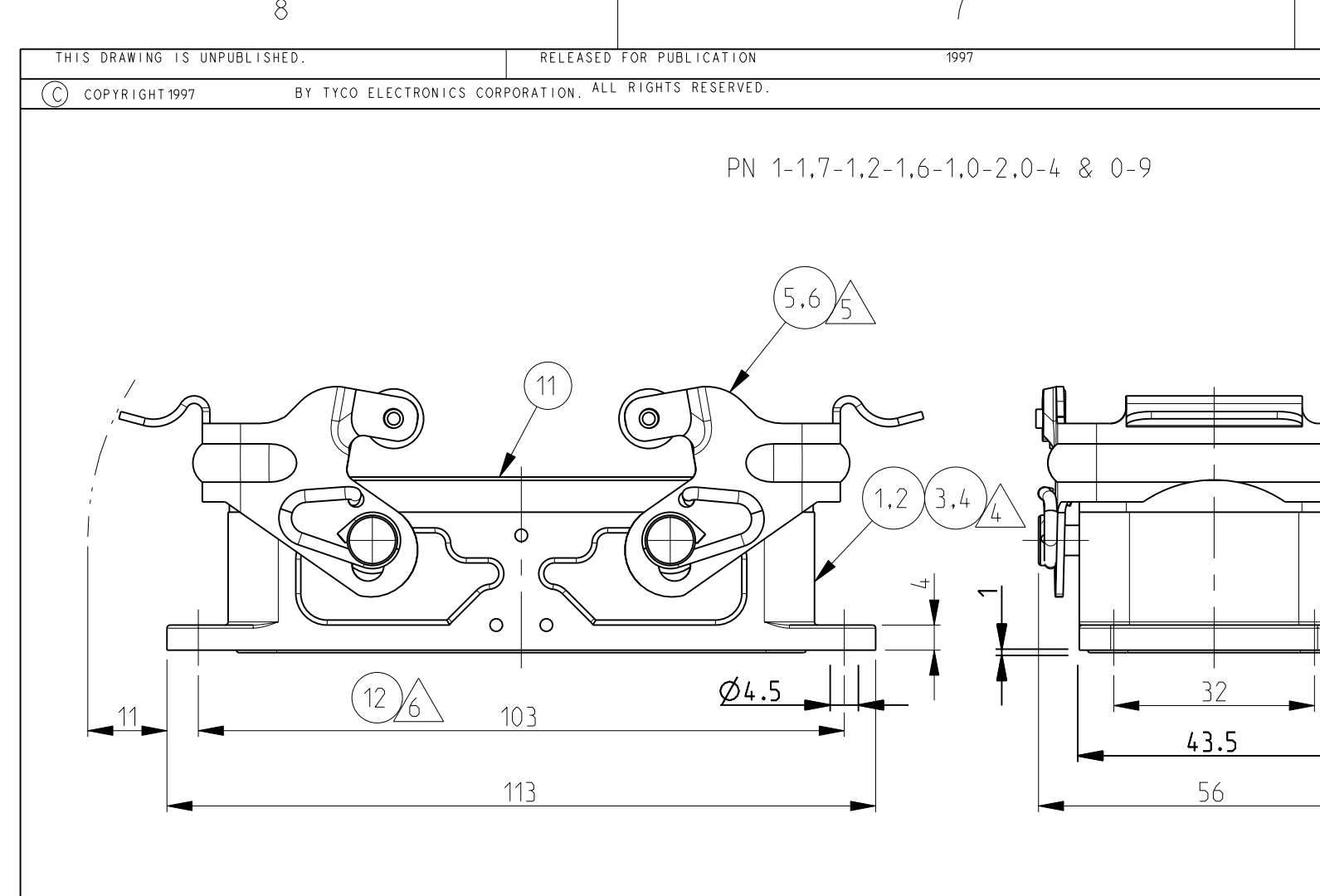
### Quick Links

- [Distributor Inventory](#)
- [Product Cross Reference](#)
- [Documents & Drawings](#)
- [Product Compliance Support Center](#)
- [Site Map](#)

### Customer Support

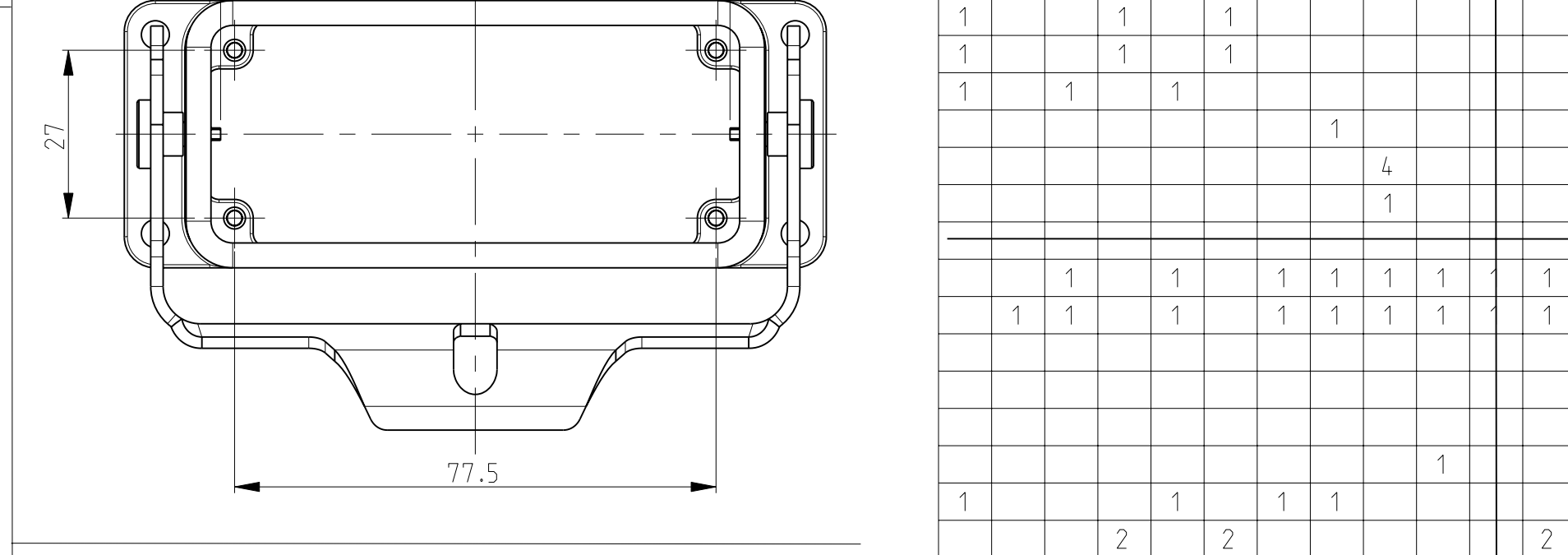
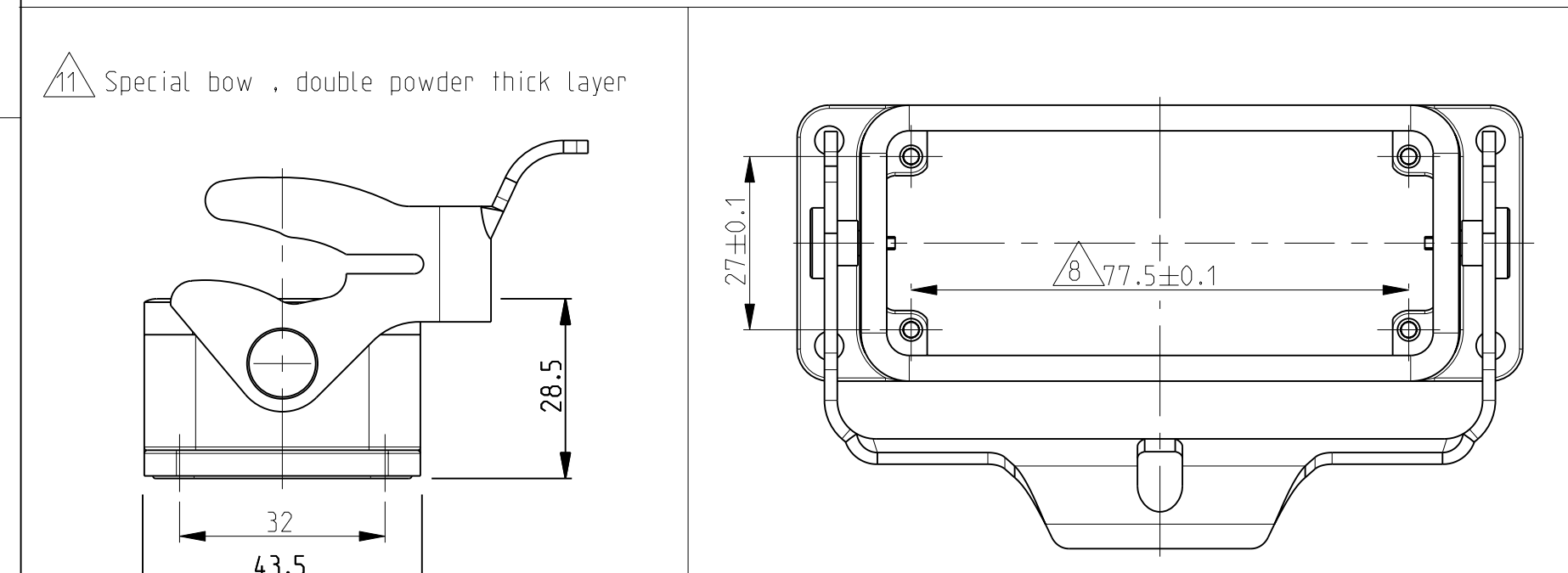
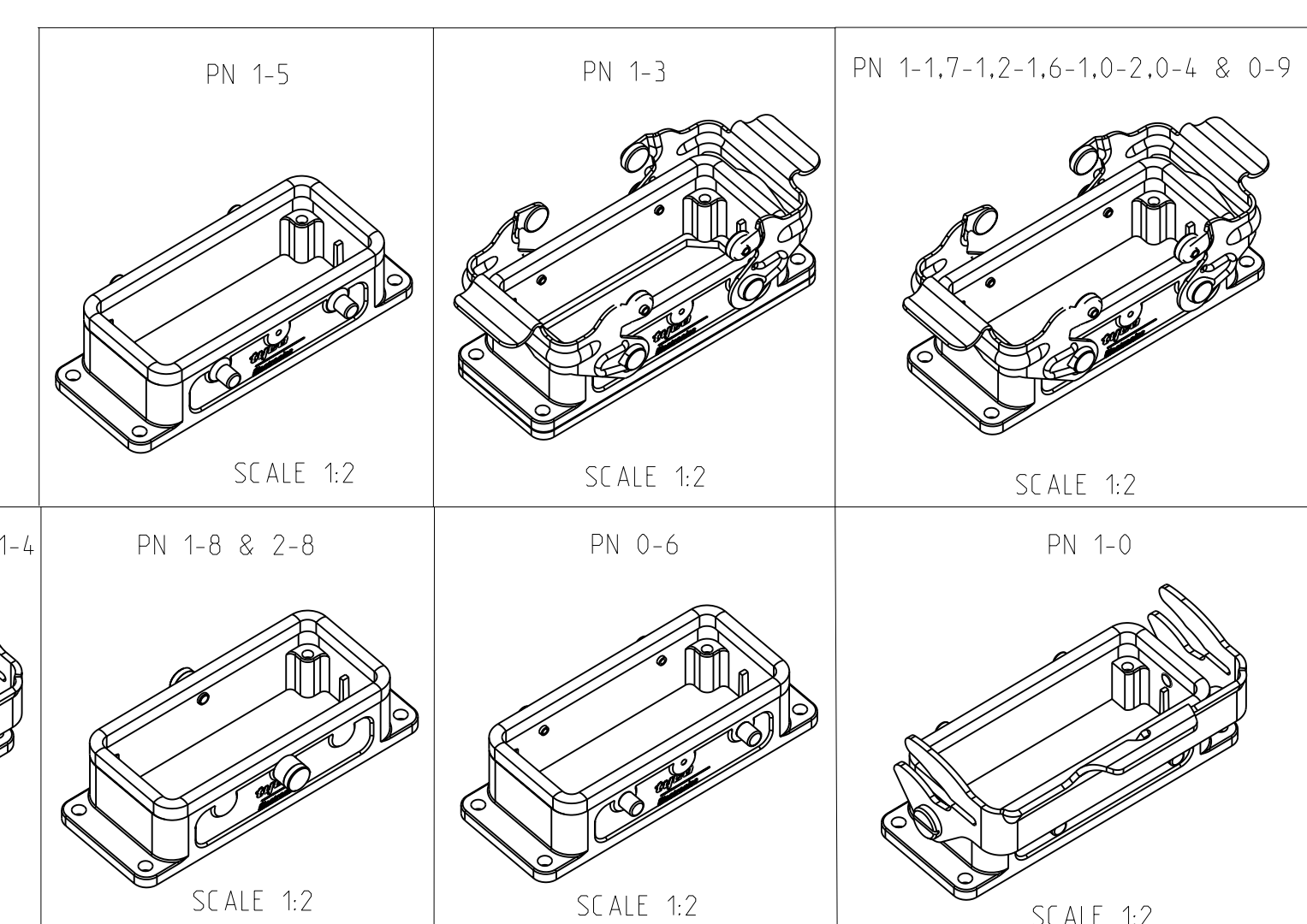
- [Email or Chat With Us](#)
- [Find a Phone Number](#)
- [Knowledge Base](#)
- [Manage Your Account](#)

### Keep Me Informed

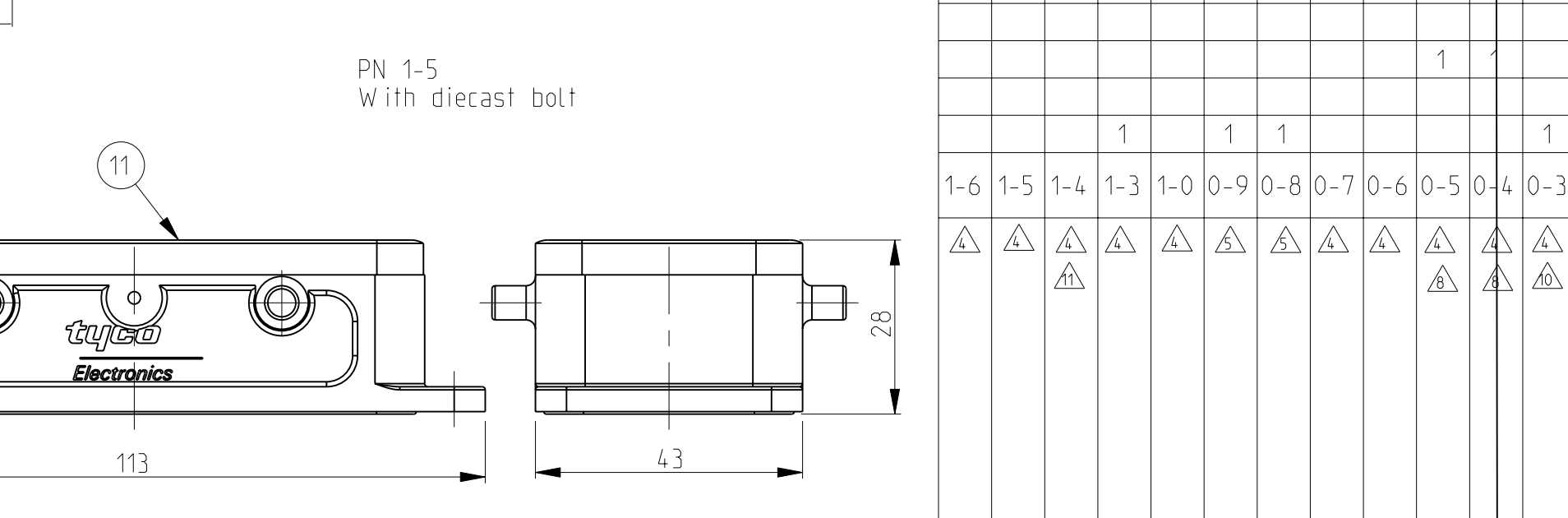
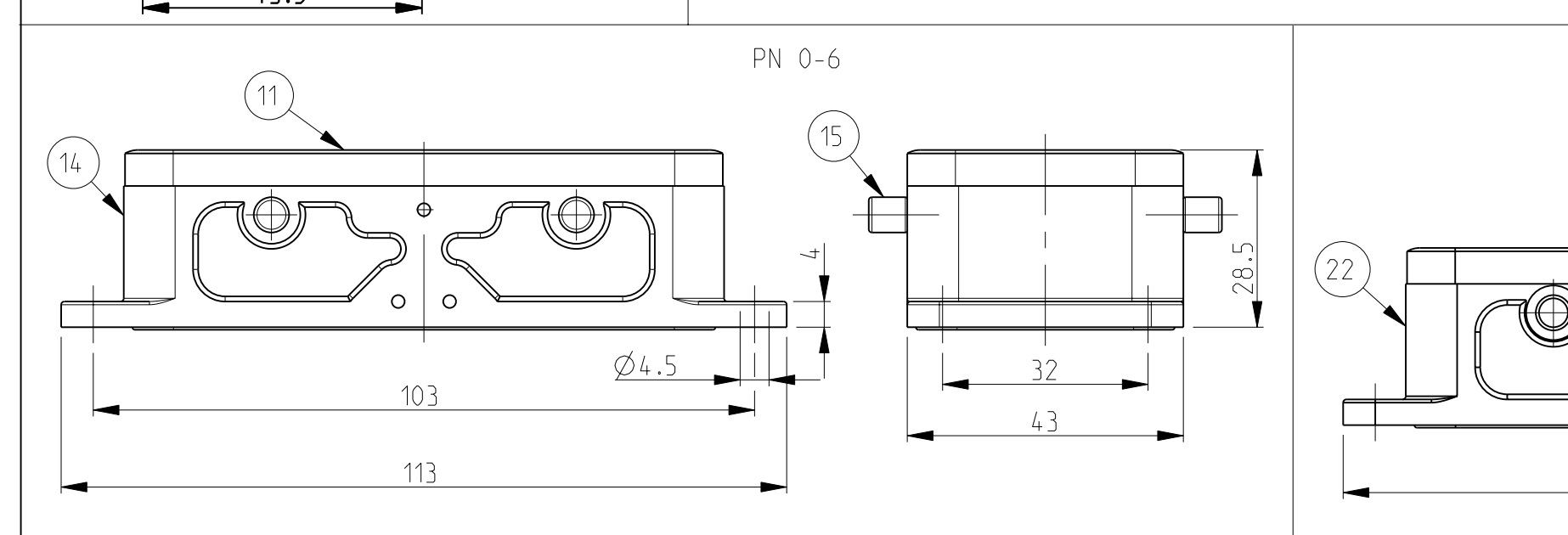


NOTES

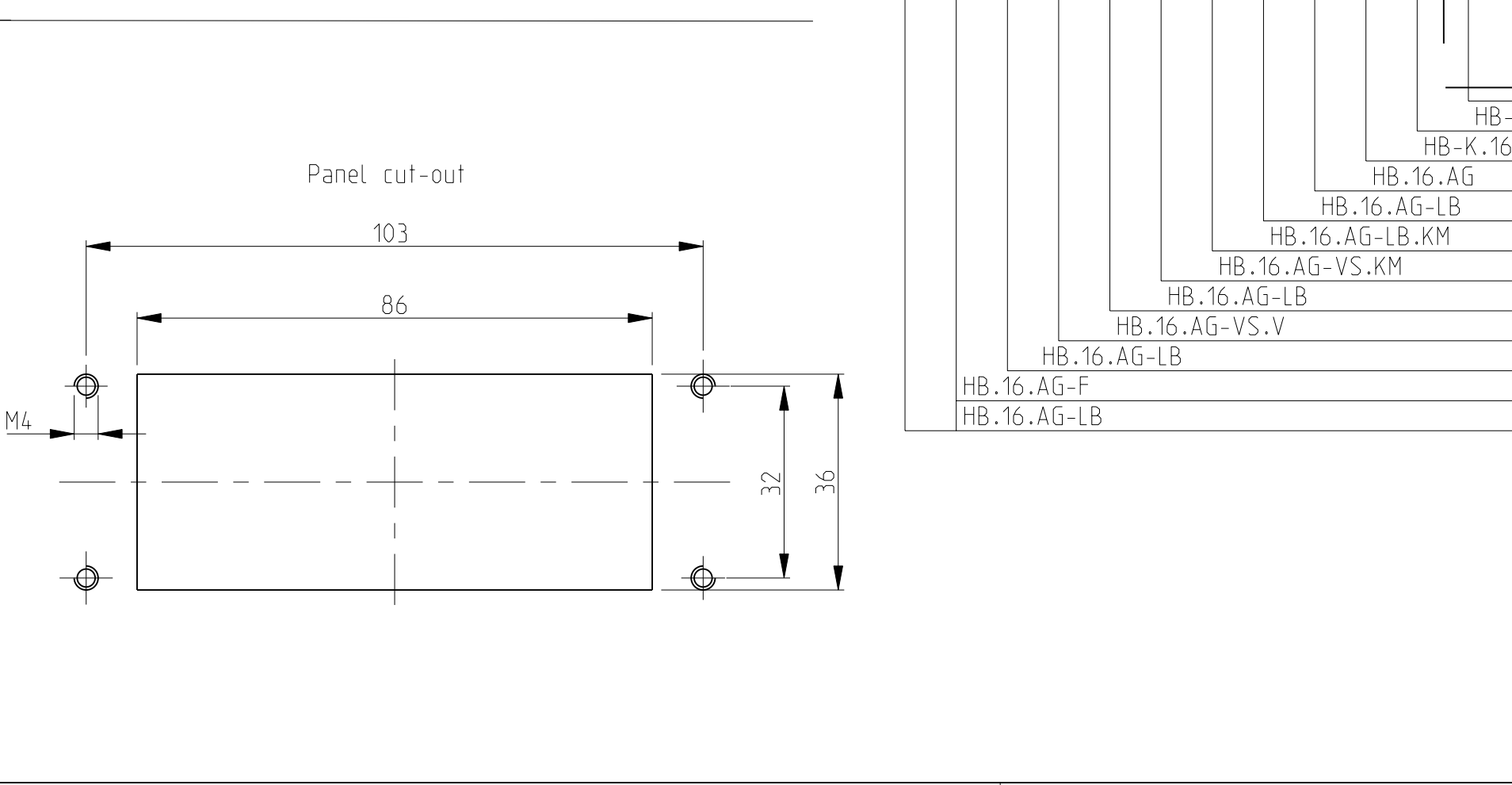
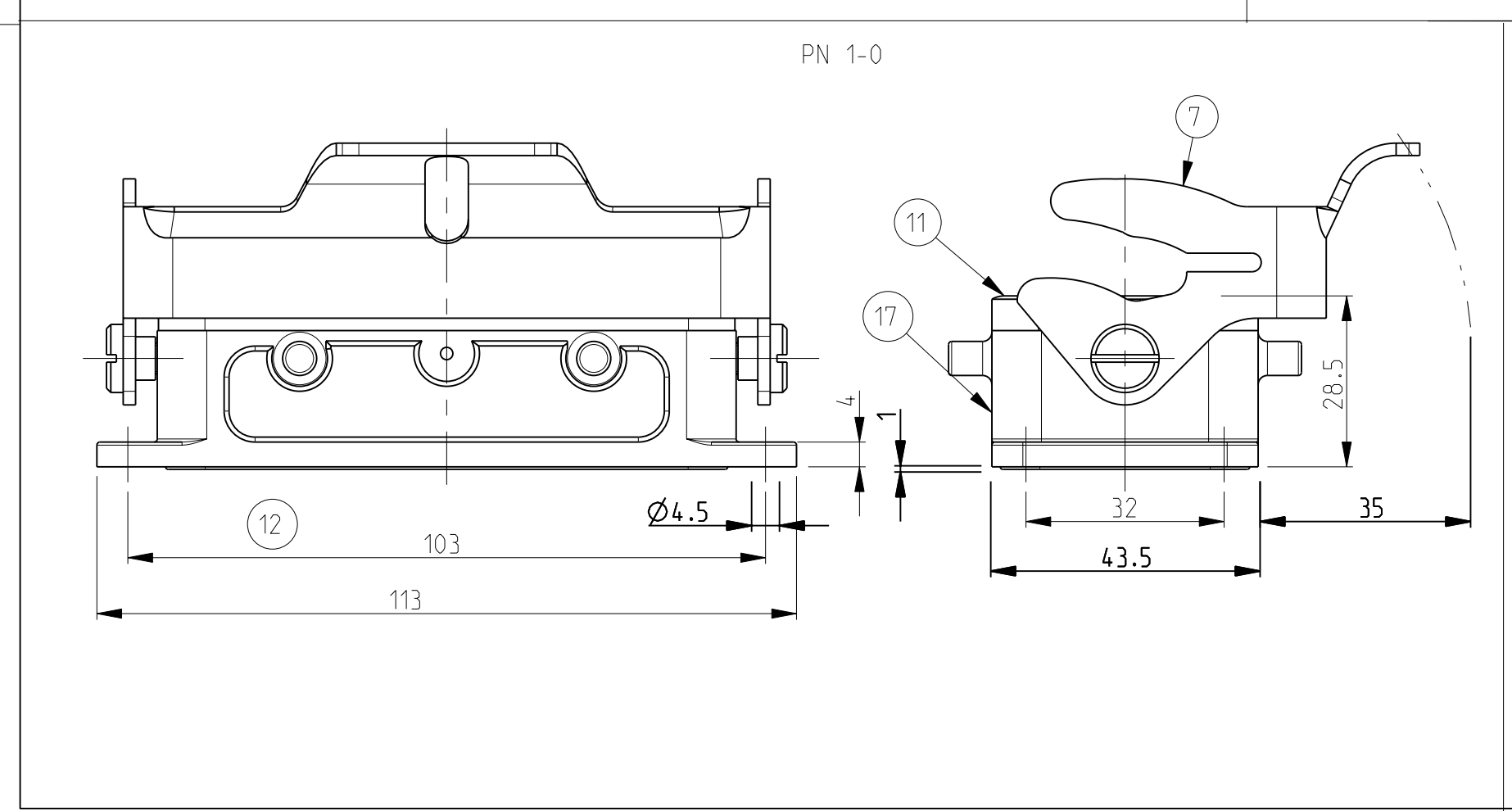
- Material: Housing aluminium diecasting alloy  
Seals: Neoprene ; Viton
- Surface: Varnish Grey; Black
- Varnish on the inside not necessary
- Packaging quantity 5 pieces
- Packaging quantity 100 pieces
- Packaging quantity 150 pieces
- Only valid for PN 0-1:  
coupling device beveled on dimension 82
- Only valid for PN 0-4 and 0-5  
Plat form beveled on dimension 72.5+0.1 both sides
- Only valid for PN 0-2  
Seal loose attached
- Only valid for PN 0-3:  
flange seal clued on
- Special side clip for Mitsubishi  
powder coating for housing : 120-160 µm



LOC	DIST	REV	DATE	BY	CHK	APPV
A	I	B7	18.Aug.2008	SP	TS	
		B8	22SEP2009	GW	ST	



QTY	DESCRIPTION	MATERIAL	SURFACE	COLOR	ITEM NO	NOTES
1	Surface mounted housing bottom entry HB	Aluminium		Grey RAL7001	22	With bolt
1	LB-Side clip	Steel	Zinc plated	Blue	21	
1	Surface mounted housing bottom entry HB	Aluminium		Grey 120-160 µm	20	
1	Flange seal	Viton		Black	19	
1	Profile seal	Viton		Grey	18	
1	Surface mounted housing bottom entry HB	Aluminium		Grey RAL7001	17	Neutral
1	Surface mounted housing bottom entry HB	Aluminium		Grey RAL7001	16	Without lo
1	Clip bolt-HB	Steel	Zinc plated	Blue	15	
1	Surface mounted housing bottom entry HB	Aluminium		Grey RAL7001	14	
1					13	
1	Flange seal	Neoprene		Black	12	
1	Profile seal	Neoprene		Black	11	
1	ZB-Clip bolt	Stainless steel			10	
1	ZB-Clip bolt	Steel	Zinc plated	Blue	9	
1	LB-Side clip	Stainless steel			8	
1	LB-Side clip	Steel	Zinc plated	Blue	7	
1	VS-Locking clip	Stainless steel			6	
1	VS-Locking clip	Steel	Zinc plated	Blue	5	
1	Surface mounted housing bottom entry HB	Aluminium		With out varnish	4	
1	Surface mounted housing bottom entry HB-K	Aluminium	Aluminium oxide	Black RAL9005	3	
1	Surface mounted housing bottom entry HB-K	Aluminium		Black RAL9005	2	
1	Surface mounted housing bottom entry HB	Aluminium		Grey RAL7001	1	



QTY	DESCRIPTION	MATERIAL	SURFACE	COLOR	ITEM NO	NOTES
1	ORDERING TEXT					
1	HB.16.AG-VS					
1	HB.16.AG-VS					
1	HB-K.16.AG-VS					
1	HB.16.AG-LB					
1	HB-K.16.AG-LB					
1	HB-Z.16.AG-ZVGR					
1	HB-K.Z.16.AG-ZV					
1	HB.16.AG-LB					
1	HB.16.AG-VS					
1	HB-Z.16.AG-ZVGR					
1	HB.16.AG-VS					
1	HB.16.AG-VS					
1	HB-K.16.AG-VS					
1	HB-K.16.AG-LB					
1	HB.16.AG					
1	HB.16.AG-LB					
1	HB.16.AG-LB.KM					
1	HB.16.AG-VS.KM					
1	HB.16.AG-LB					
1	HB.16.AG-VS.V					
1	HB.16.AG-LB					
1	HB.16.AG-F					
1	HB.16.AG-LB					