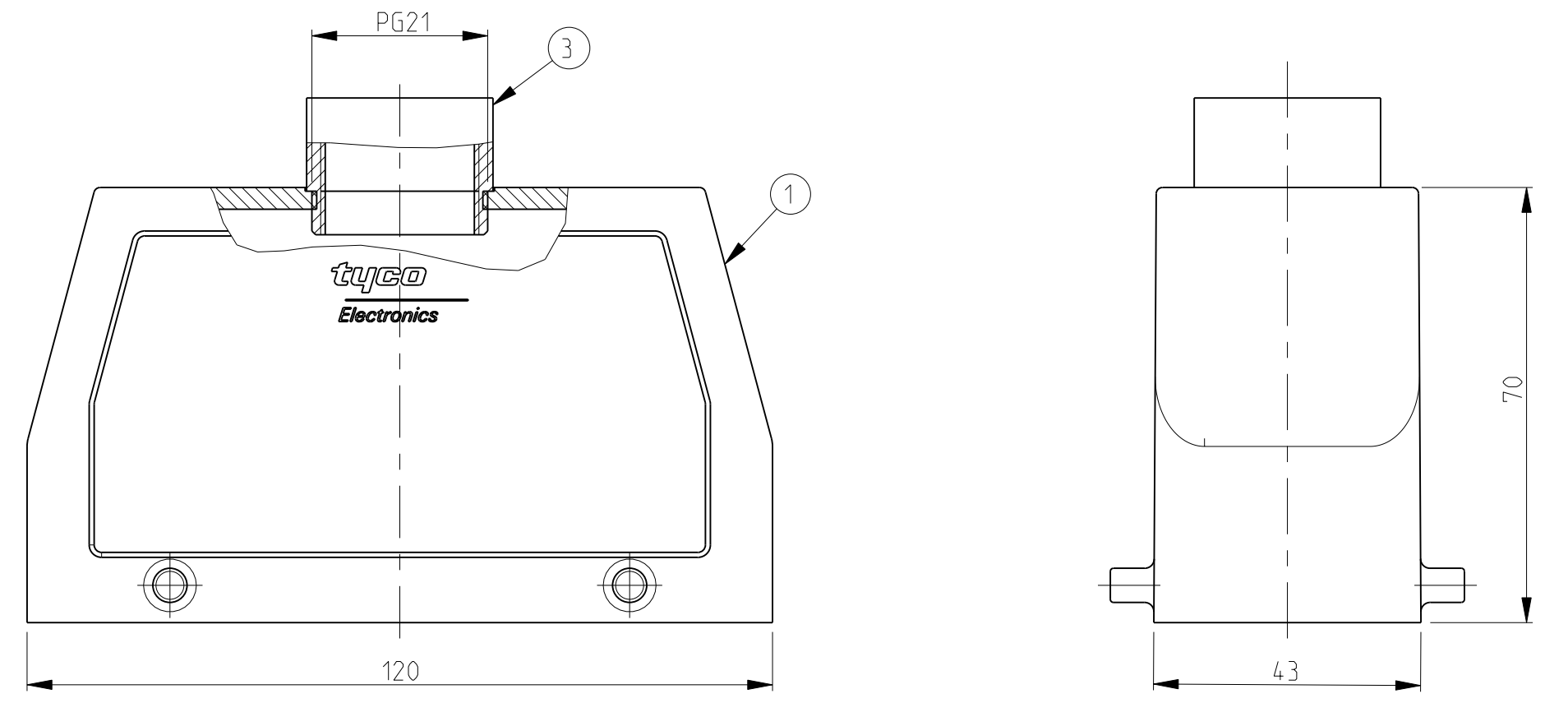
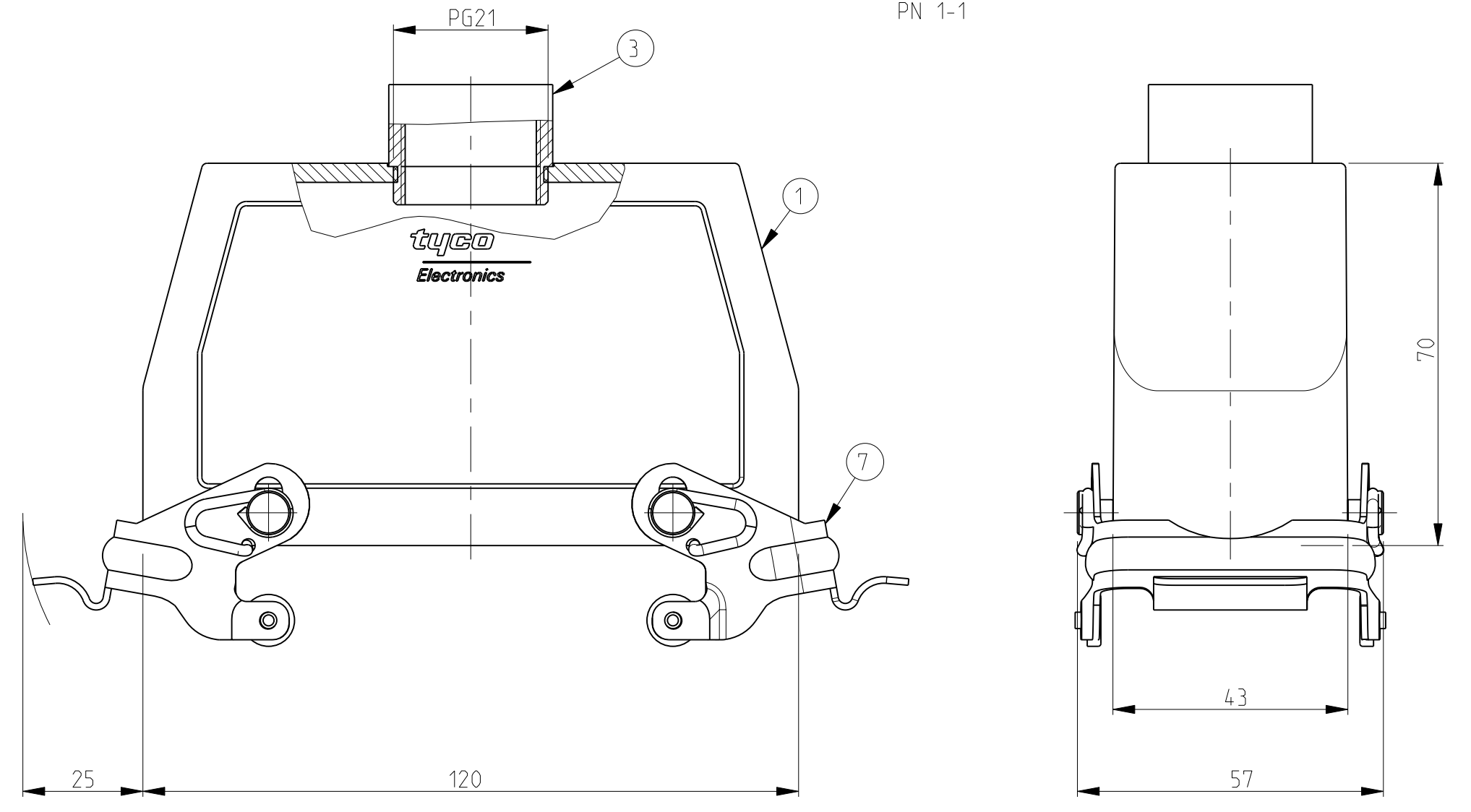


| LOC | DIST | REV | DATE | BY | APPD |
|-----|------|-----|-------------------------------|----------|-------|
| A1 | - | A4 | Released as per ECE-07-019955 | 22.08.07 | SK TS |

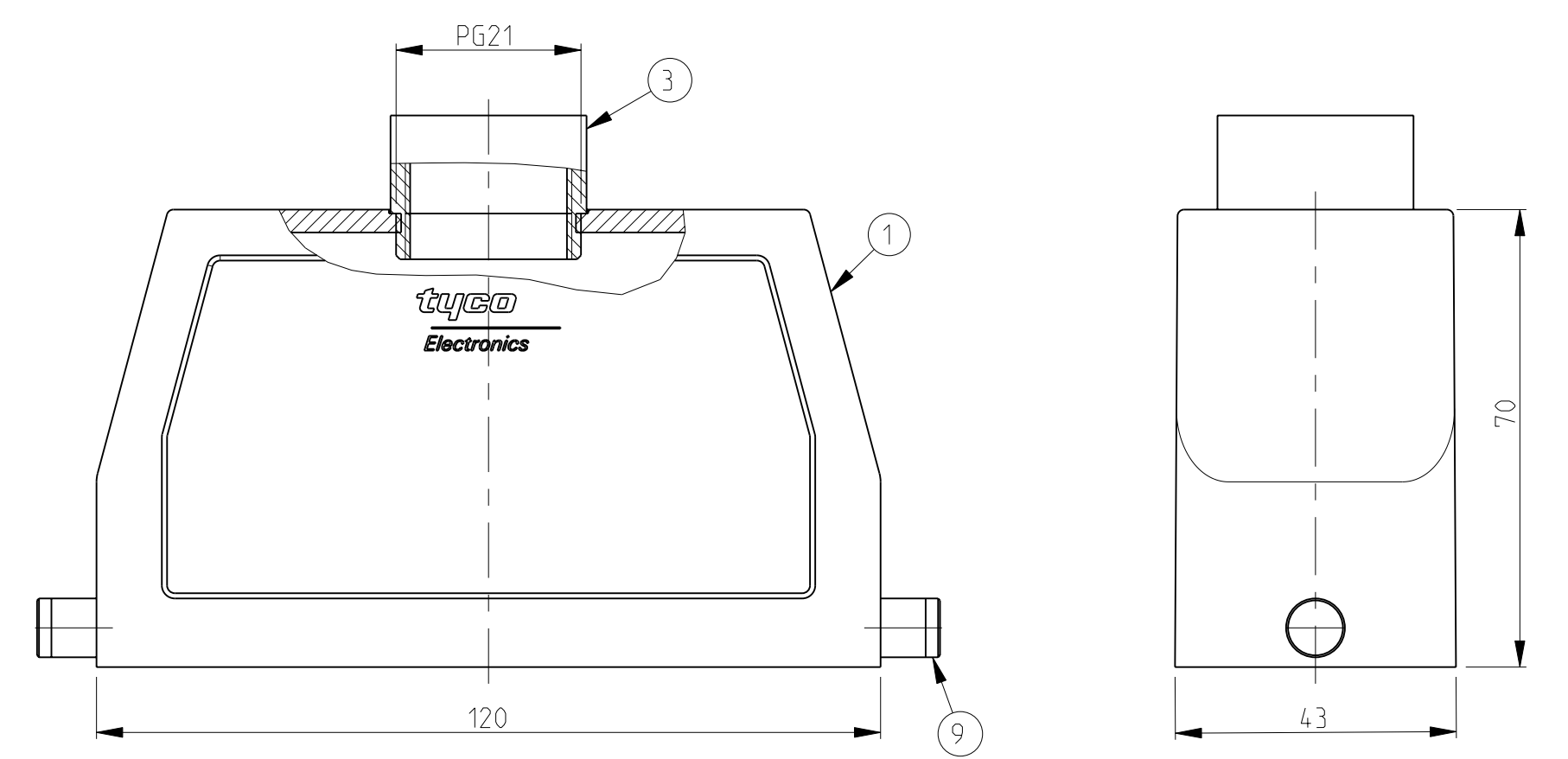
PN 1-6



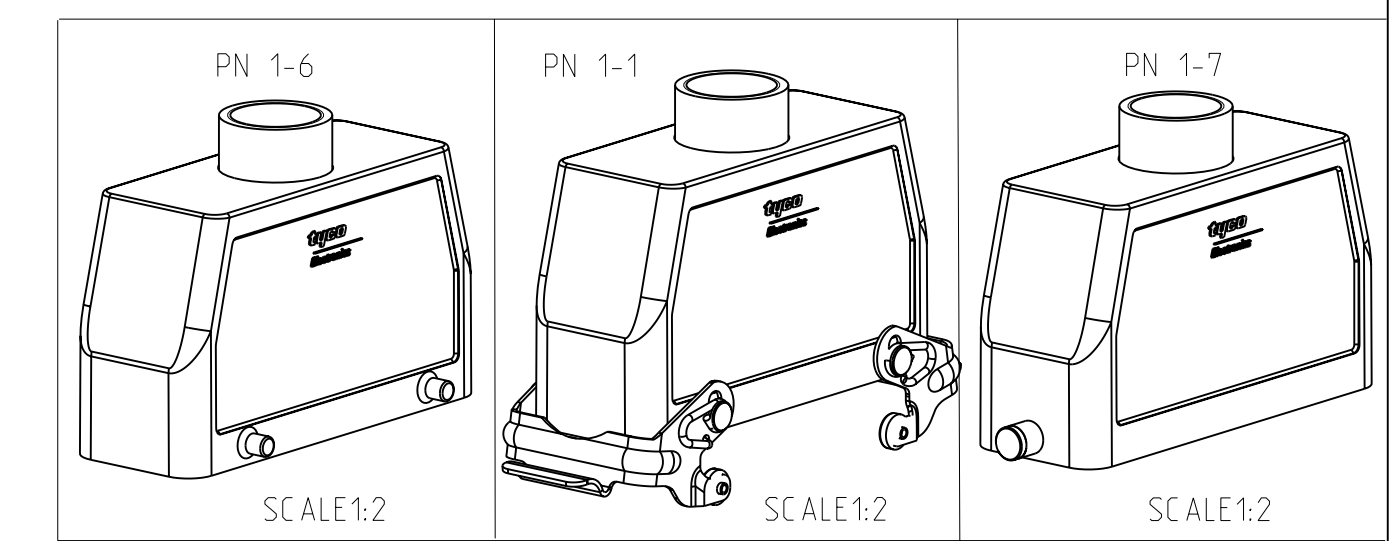
PN 1-1



PN 1-7



- NOTES.
- 1 Material:Housing:Aluminium Diecasting Alloy
 - 2 Surface:Varnish grey
 - 3 Varnish on the inside not necessary
 - 4 Packaging Quantity 5 Pieces in a box



| QTY | DESCRIPTION | MATERIAL | SURFACE | COLOR | ITEM NO | REMARKS |
|-----|--|-----------------|-----------------|-------|---------|---------|
| 12 | ZB Central clip | Stainless steel | - | - | 12 | |
| 11 | ZB Central clip | Steel | Zinc plated | Blue | 11 | |
| 10 | LB Clip bolt | Stainless steel | - | - | 10 | |
| 9 | LB Clip bolt | Steel | Zinc plated | Blue | 9 | |
| 8 | VS Locking clip | Stainless steel | - | - | 8 | |
| 7 | VS Locking clip | Steel | Zinc plated | Blue | 7 | |
| 6 | VS Clip bolt | Stainless steel | - | - | 6 | |
| 5 | O-Ring Pg21 | Neoprene | - | Black | 5 | |
| 4 | Intermediate connecting piece 6kt Pg21 | Brass | Nickel plated | - | 4 | |
| 3 | Intermediate connecting piece Pg21 | Brass | Nickel plated | - | 3 | |
| 2 | HB Hood .24.Sto.1.21.Z | Aluminium | Aluminium oxide | Black | 2 | |
| 1 | HB Hood .24.Sto.1.21.Z | Aluminium | - | Grey | 1 | |

| QTY | DESCRIPTION | MATERIAL | SURFACE | COLOR | ITEM NO | REMARKS |
|-----|-------------------------|----------|---------|-------|---------|---------|
| 1 | ORDERING TEXT | | | | | |
| 1 | HB.24.Sto.1.21.Z | | | | | |
| 1 | HB-K.24.Sto.1.21.Z | | | | | |
| 1 | HB.24.Sto-VS.1.21.Z | | | | | |
| 1 | HB.24.Sto-VS.1.21.Z | | | | | |
| 1 | HB.24.Sto-GR.1.2.Z | | | | | |
| 1 | HB-K.24.Sto-GR.1.21.Z | | | | | |
| 1 | HB-Z.24.Sto.1.21.Z | | | | | |
| 1 | HB-K/Z.24.Sto.ZB.1.21.Z | | | | | |

| | | | | | | | |
|--------------------------|--|---|--|---|--|---|--|
| DIMENSIONS: mm | | TOLERANCES UNLESS OTHERWISE SPECIFIED: 0 - 100 mm: ±0.15 1 - 100 mm: ±0.1 1 - 100 mm: ±0.1 1 - 100 mm: ±0.1 ANGLES: ±0.5 | | DWN: Schneider 12.11.1997 CHK: Schweiger 30.06.98 APVD: - | | Tyco Electronics AMP GmbH 0-53819-Neunkirchen,Germany | |
| MATERIAL: - FINISH: - | | PRODUCT SPEC: 108-74001 108-74003 APPLICATION SPEC: 114-74001 114-74004 | | NAME: Hood HB.24.Sto.1.21.Z | | SIZE: A4 CAGE CODE: 00779 DRAWING NO: C=1102324 RESTRICTED TO: - | |
| CUSTOMER DRAW ING | | | | SCALE: 1:1 | | SHEET: 1 OF 1 REV: A4 | |

Mouser Electronics

Authorized Distributor

Click to View Pricing, Inventory, Delivery & Lifecycle Information:

[TE Connectivity:](#)

[1-1102324-7](#)