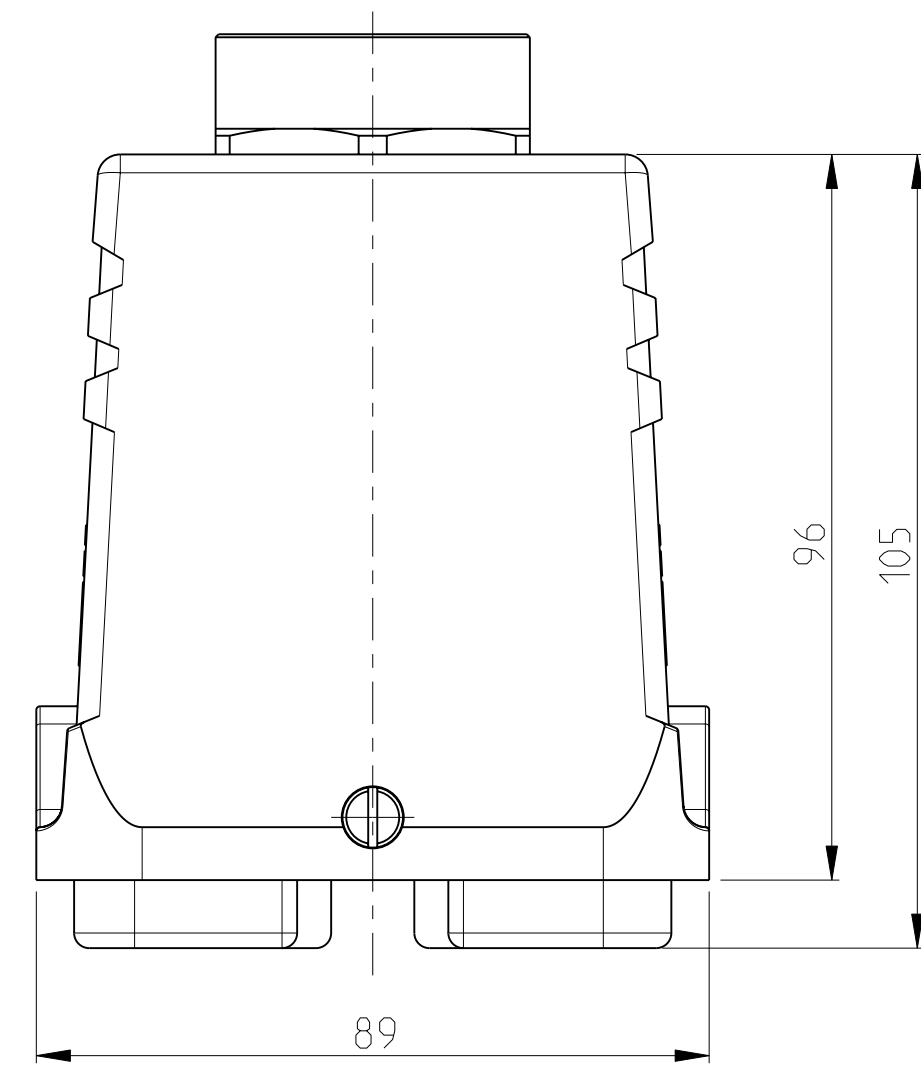
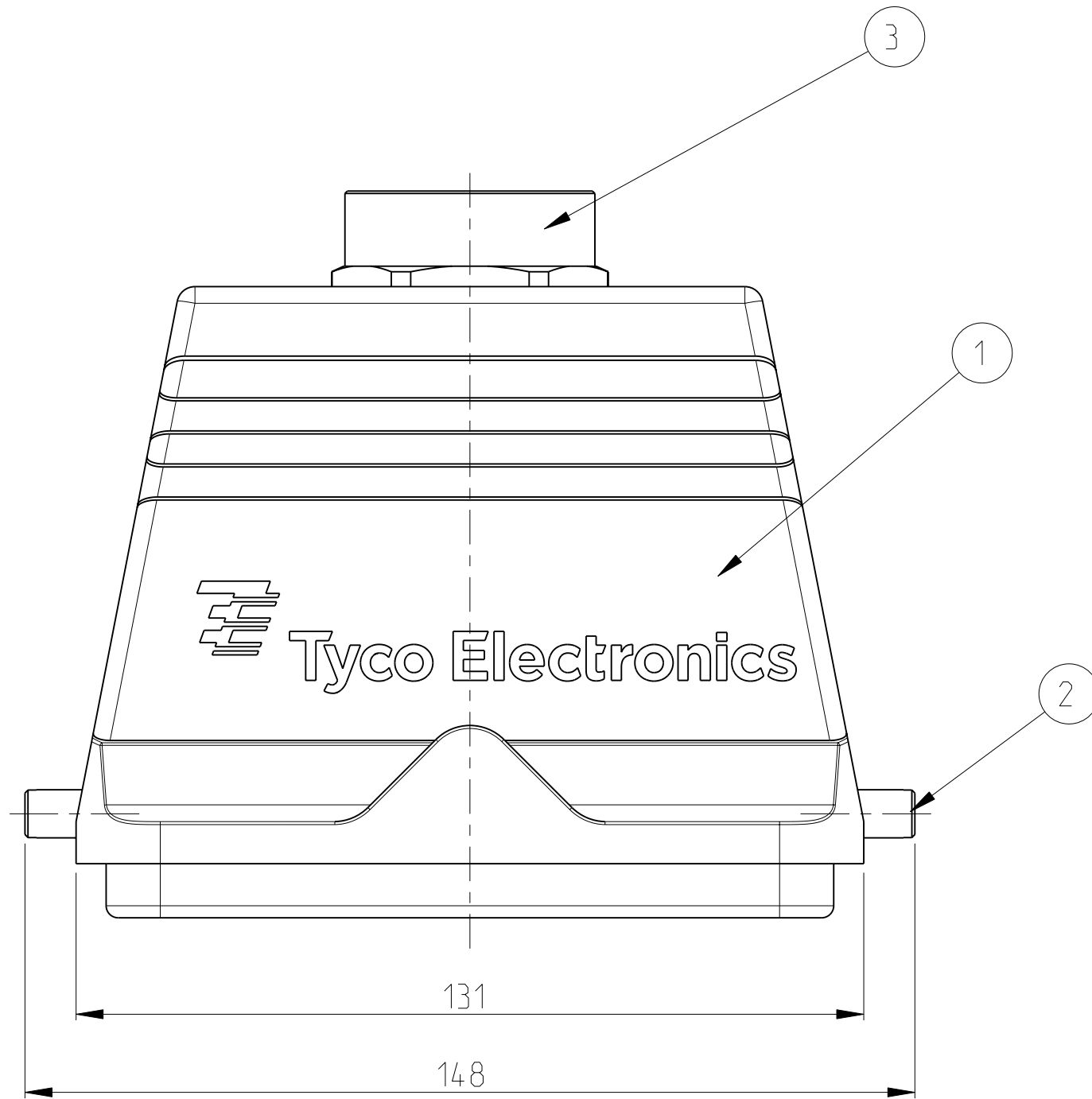


THIS DRAWING IS UNPUBLISHED. RELEASED FOR PUBLICATION 2006
 © COPYRIGHT 2006 BY TYCO ELECTRONICS CORPORATION. ALL RIGHTS RESERVED.

LOC	DIST	REVISIONS				
P	LTR	DESCRIPTION	DATE	DWN	APVD	
A1	-	A2	new pro/E drawing ECR-08-031218	05NOV2008	SR	ST



- NOTES
- 1 PART SHALL BE FREE AND CLEAN OF BURRS AND OTHER FOREIGN MATERIAL
 - 2 PACKAGING: QUANTITY 3 PIECES
 - 3 VARNISHING INSIDE HOUSING NOT REQUIRED

1	ADAPTOR	BRASS	NICKEL PLATED	BLUE	3	PG29
2	CLIP BOLT	STAINLESS STEEL	ZINK PLATED	BLUE	2	
1	HOOD HB	ALU		GREY	1	
1-7	DESCRIPTION	MATERIAL	SURFACE	COLOR	ITEM	NOTES
HB.48.STO-GR.1.29.Z						

<small>THIS DRAWING IS A CONTROLLED DOCUMENT FOR TYCO ELECTRONICS CORPORATION. IT IS SUBJECT TO CHANGE AND THE CONTROLLING ENGINEERING ORGANIZATION SHOULD BE CONTACTED FOR THE LATEST REVISION.</small>		DWN R.SCHNEIDER 05NOV2008 CHK T.SCHNURPFEL 05NOV2008 APVD T.SCHNURPFEL 05.10.08	tyco Electronics AMP GmbH 53757 Sankt Augustin (Germany)
DIMENSIONS: mm	TOLERANCES UNLESS OTHERWISE SPECIFIED: 0 PLC ±- 1 PLC ±- 2 PLC ±- 3 PLC ±- 4 PLC ±- ANGLES ±1° FINISH	PRODUCT SPEC APPLICATION SPEC WEIGHT -	NAME HOOD HB.48 ASSY HB.48.STO-GR.1.29.Z SIZE A2 CAGE CODE 00779 DRAWING NO. 1102381 RESTRICTED TO -
MATERIAL -		CUSTOMER DRAWING SCALE 1:1 SHEET 1 OF 1 REV A2	

Mouser Electronics

Authorized Distributor

Click to View Pricing, Inventory, Delivery & Lifecycle Information:

[TE Connectivity:](#)

[1-1102381-7](#)