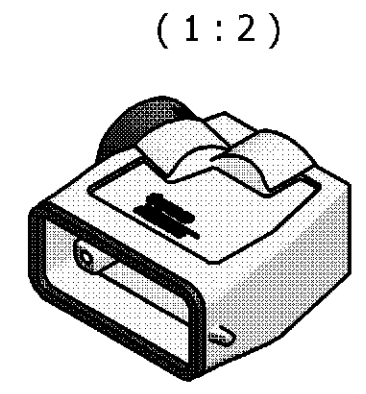


### NOTES

- 1 PACKAGING QUANTITY: 5 PIECES PER BOX
- 2 MATERIAL: HOUSING: ALUMINIUM DIE CAST ALLOY  
SEALS: NEOPRENE
- 3 SURFACE: VARNISH GREY  
ALUMINIUM OXIDE +  
VARNISH BLACK
- 4 VARNISH ON THE INSIDE NOT NECESSARY

**PN:1-7 as shown**



**PN:1-7**  
**Ordering Text:**  
**HD.15.STS.1.21.Z**

1	DESCRIPTION	MATERIAL	SURFACE	COLOR	ITEM NO.	REMARKS
1	Adaptor Round	Brass	Nickel Plated	Blue	3	Pg21
1	Profile Seal	Neoprene	-	Black	2	-
1	Hood	Aluminium	-	Grey	1	-

THIS DRAWING IS A CONTROLLED DOCUMENT FOR AMP INCORPORATED. IT IS SUBJECT TO CHANGE AND THE CONTROLLING ENGINEERING ORGANIZATION SHOULD BE CONTACTED FOR THE LATEST REVISION. DIESES ZEICHNUNGSDOKUMENT WIRD DURCH AMP INCORPORATED KONTROLLIERT. ÄNDERUNGEN, DIE DEM TECHNISCHEN FORTSCHRITT DIENEN, SIND VORBEHALTEN. DEN JEWELIGS LETZTGÜLTIGEN ÄNDERUNGSSTAND ERFAHREN SIE AUF ANFRAGE.	DIMENSIONS: DIMENSIONEN: mm	TOLERANCES UNLESS OTHERWISE SPECIFIED: ALLGEMEINTOLERANZEN n. ISO 8015 - n. ISO 2768 - mH-E n. DIN 16901- 140 0 PLC # 1 PLC # 2 PLC # 3 PLC # ANGLES / WINKEL #	DWN: <b>R.SRINIVAS</b> 4/20/2006 CHK: <b>R.SRINIVAS</b> 4/20/2006 APVD: <b>T.SCHNURPFEIL</b> 4/20/2006	NAME: <b>HOOD</b> <b>HD.15.STS.1.21.Z</b>	Tyco / Electronics AMP GmbH D - 53819 Neunkirchen	
MATERIAL: <span style="border: 1px solid black; padding: 2px;">2</span>	FINISH / OBERFLÄCHE / FARBE: <span style="border: 1px solid black; padding: 2px;">3</span>	PRODUCT SPEC. PRODUKTSPEZ. <b>108-74001;-74003</b>	APPLICATION SPEC. VERARBEITUNGSSPEZ. <b>114-74004</b>	SIZE: <b>A3</b> CAGE CODE: <b>00779</b> DRAWING NO. ZEICHNUNGS-NR.: <b>1102429</b>	RESTRICTED TO NUR FUER	
CUSTOMER DRAWING / KUNDENZEICHNUNG			SCALE MASSSTAB: <b>1:1</b>	SHEET BLATT: <b>1</b>	OF VON: <b>1</b>	REV. <b>B1</b>

# Mouser Electronics

Authorized Distributor

Click to View Pricing, Inventory, Delivery & Lifecycle Information:

[TE Connectivity:](#)

[1-1102429-7](#)