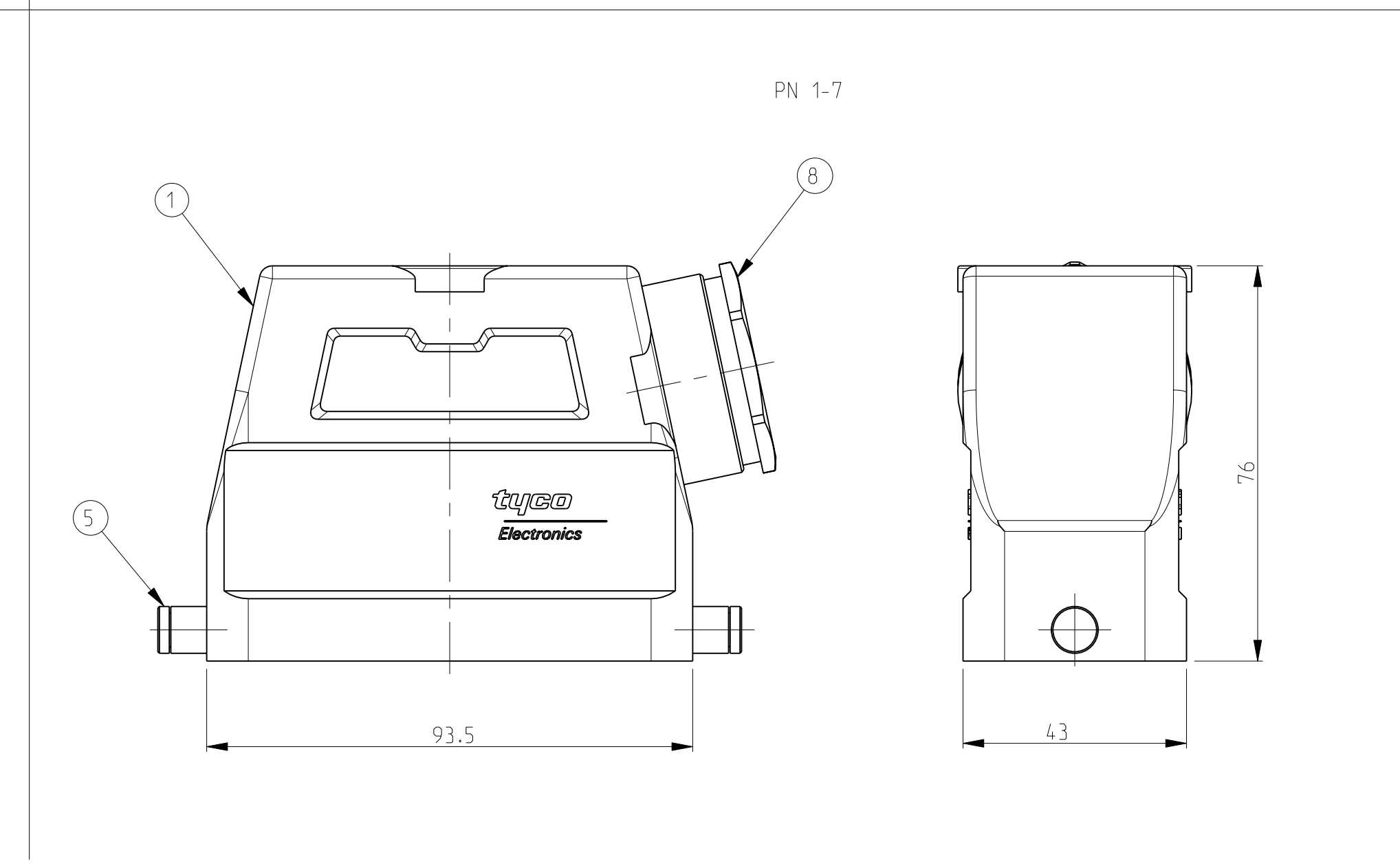
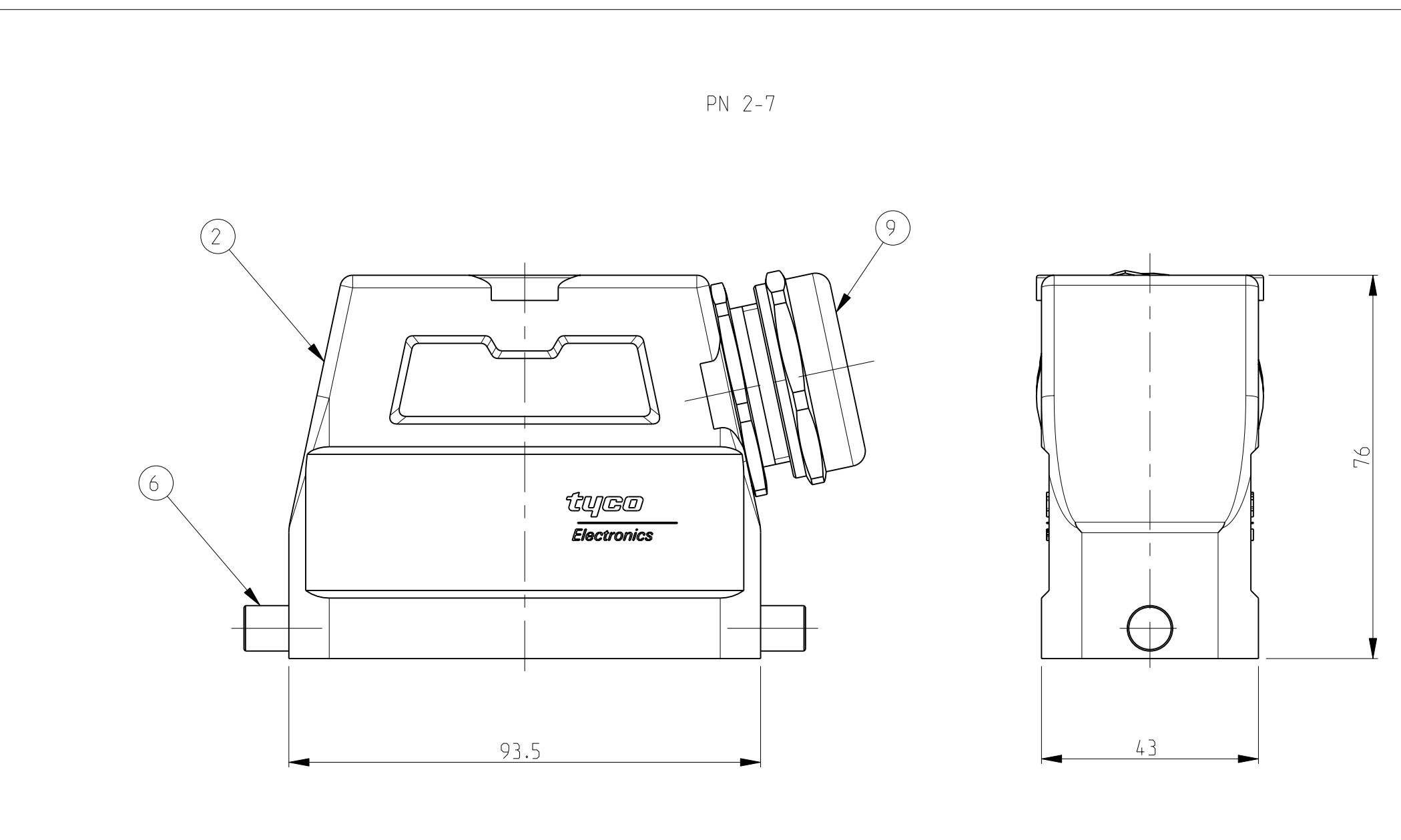
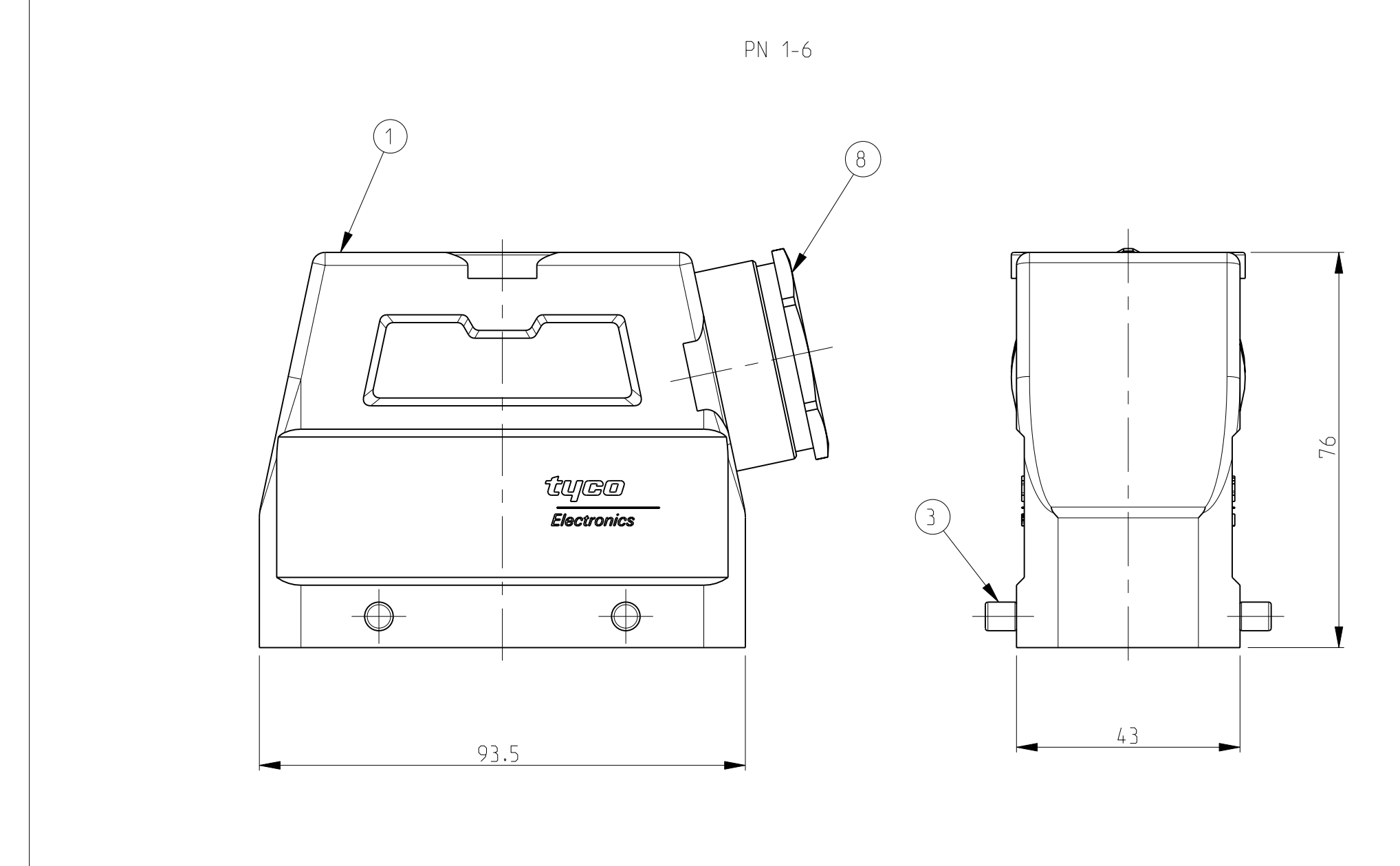
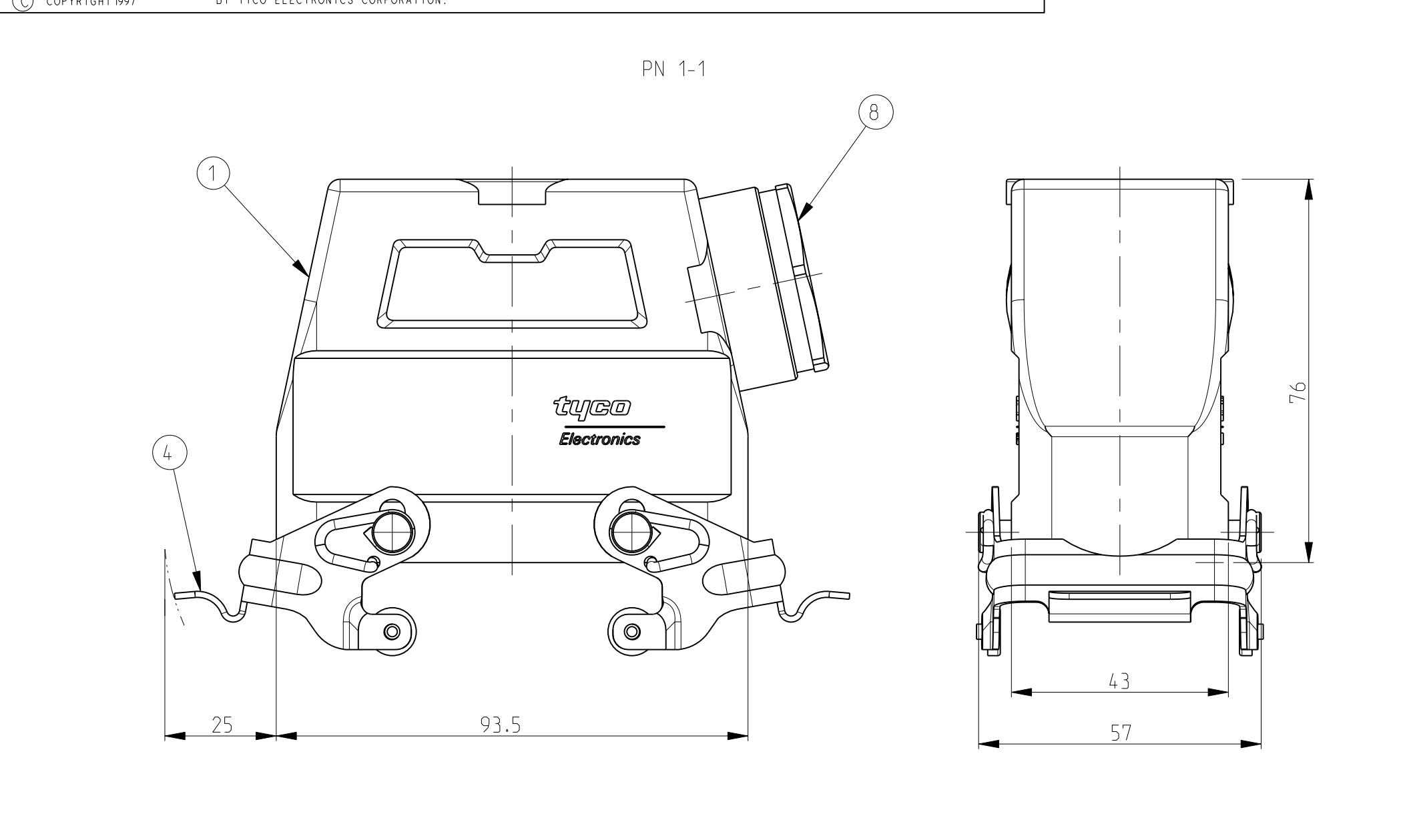
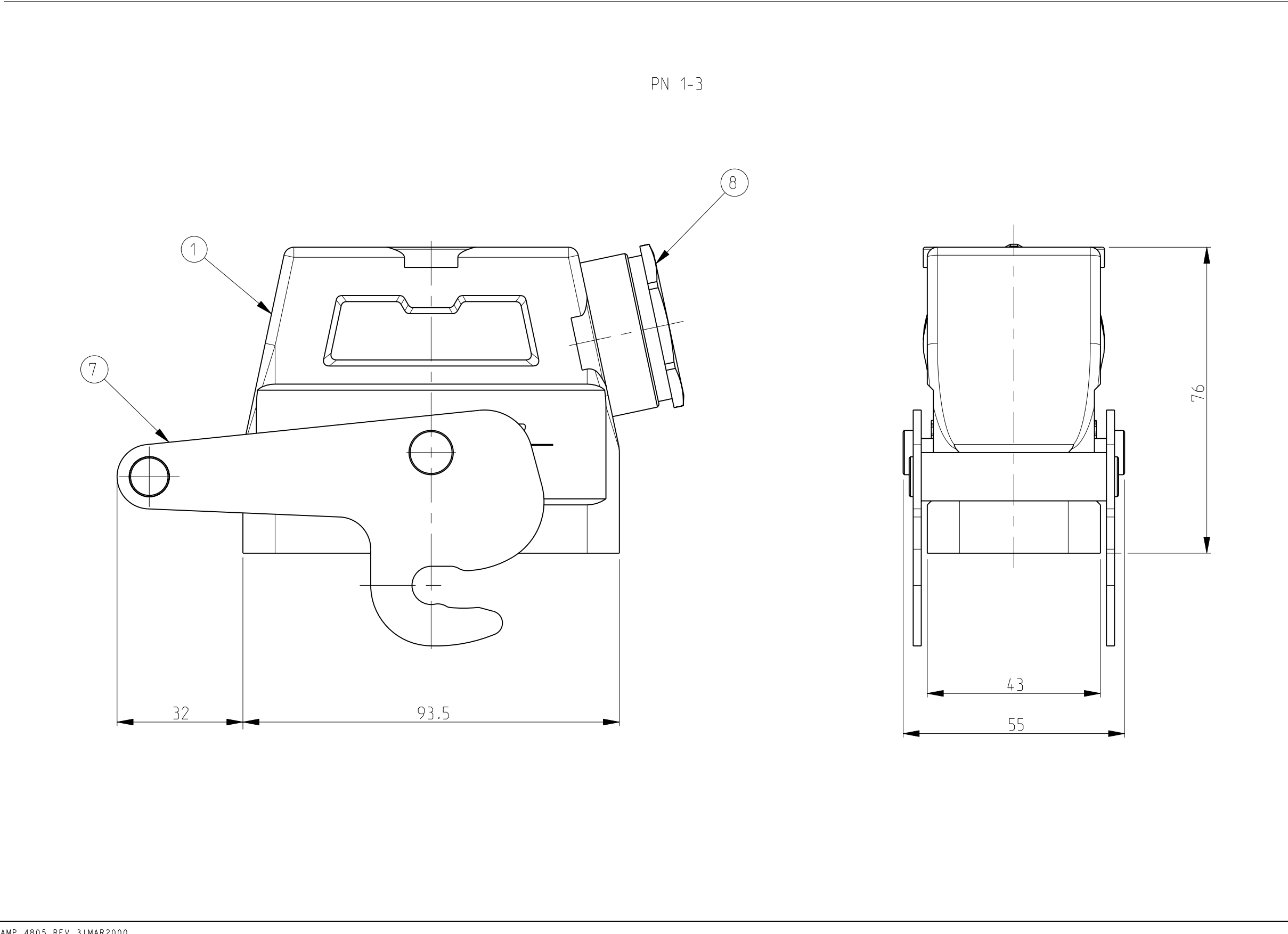
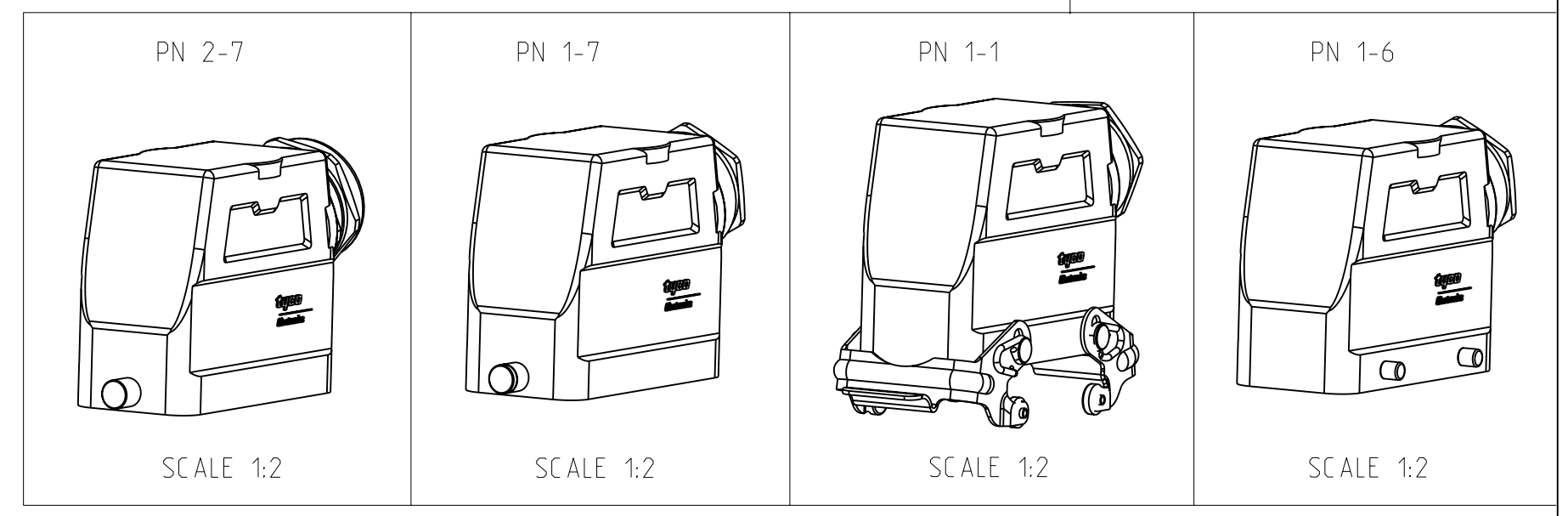
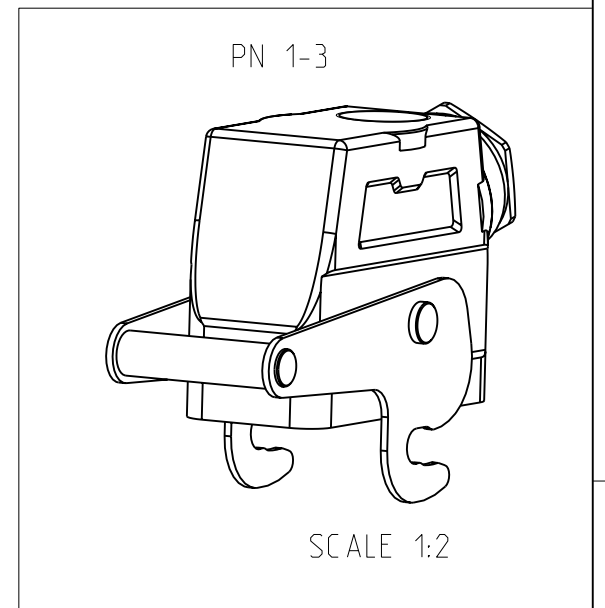


LOC	DIST	REV	DATE	BY	CHK	APPV
A1	-	A1	11-07-07	SK	TS	



- NOTES
- Material: Housing: aluminium diecasting alloy
 - Surface:- powder varnish-grey
Varnish black
 - Varnish on the inside not necessarily
 - Packaging quantity: 5 pieces



QTY	ITEM NO	DESCRIPTION	MATERIAL	SURFACE	COLOR	ITEM NO	NOTES
1	1	Gland fitting	Brass	Nickel plated	Blue	9	PG29
1	1	Gland round	Brass	Nickel plated	Blue	8	PG29
1	1	Central clip	Steel	Zinc plated	Blue	7	-
2	2	Clip bolt	V2A/Steel	-	-	6	-
2	2	Clip bolt	Steel	Zinc plated	Blue	5	-
2	2	Side clip	Steel	Zinc plated	Blue	4	-
4	4	Clip bolt	Steel	Zinc plated	Blue	3	-
1	1	HD-K Hood	Aluminium	Aluminium oxide	Black	2	-
1	1	HD Hood	Aluminium	-	Grey	1	-

ORDERING TEXT

HD.40.STS-1.29

HD.40.STS-VS-1.29

HD.40.STS-GR-1.29

HD-K40.STS-GR-1.29

HD-Z.40.STS-ZB.1.29

DIMENSIONS: mm		TOLERANCES UNLESS OTHERWISE SPECIFIED:		DWN: Schneider 16.07.03		Tyco Electronics Tyco Electronics, AMP GmbH	
MATERIAL		FINISH		CHK: Schweiger 16.07.03		0-53819, Neunkirchen, Germany	
APVD		NAME		PRODUCT SPEC		HOOD	
APPLICATION SPEC		SIZE		CAGE CODE		DRAWING NO	
WEIGHT		SCALE		SHEET		OF	
CUSTOMER DRAW ING		SCALE 1:1		SHEET 1 OF 1		REV. A2	

Mouser Electronics

Authorized Distributor

Click to View Pricing, Inventory, Delivery & Lifecycle Information:

[TE Connectivity:](#)

[1-1102565-1](#)