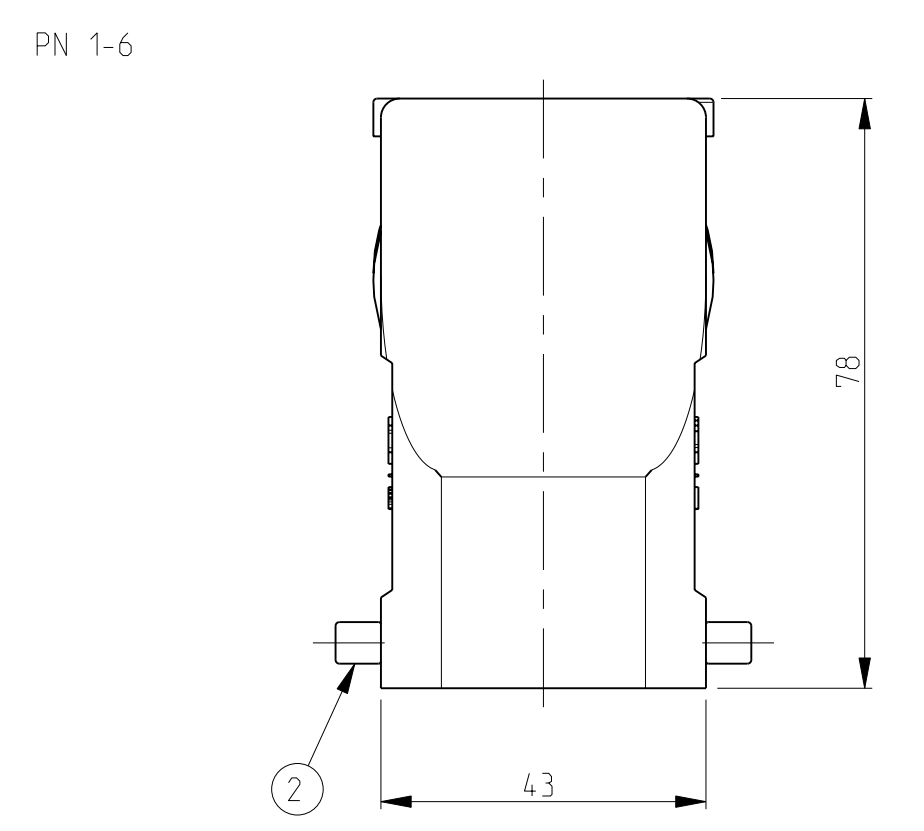
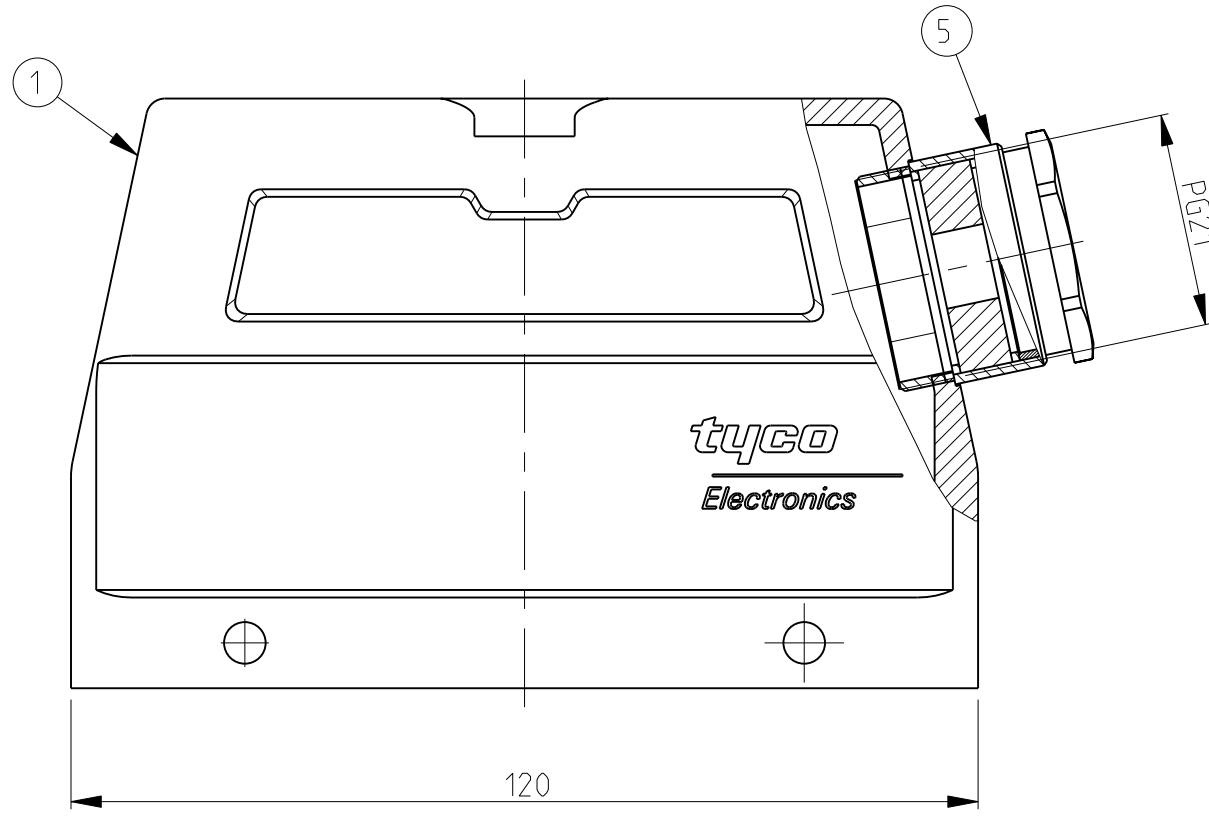
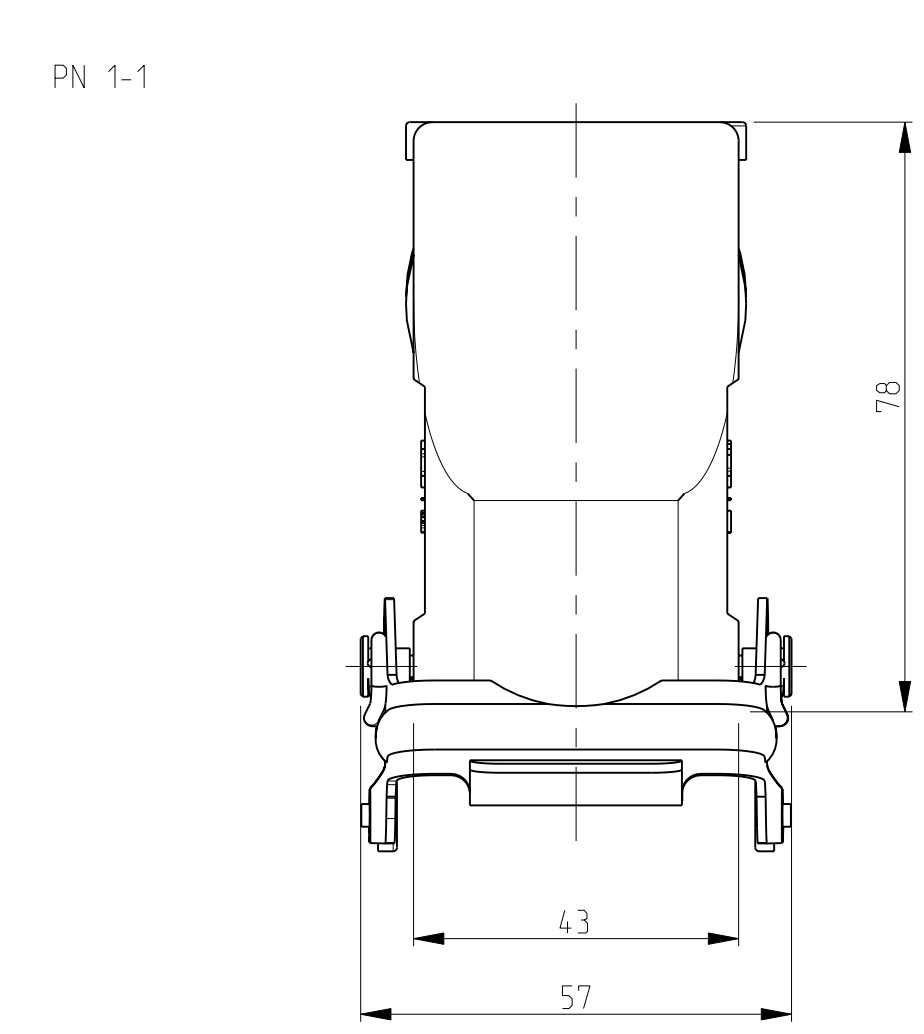
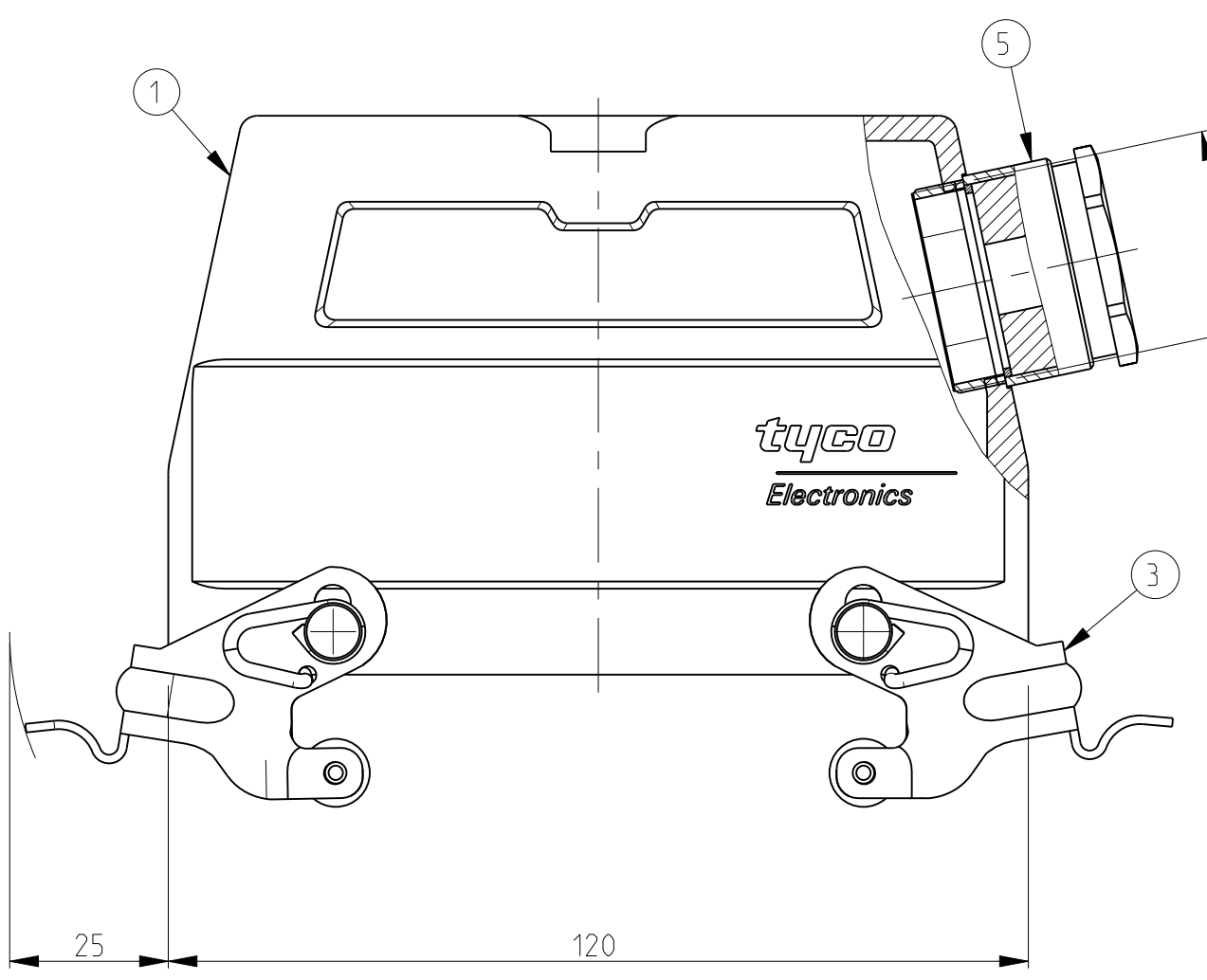


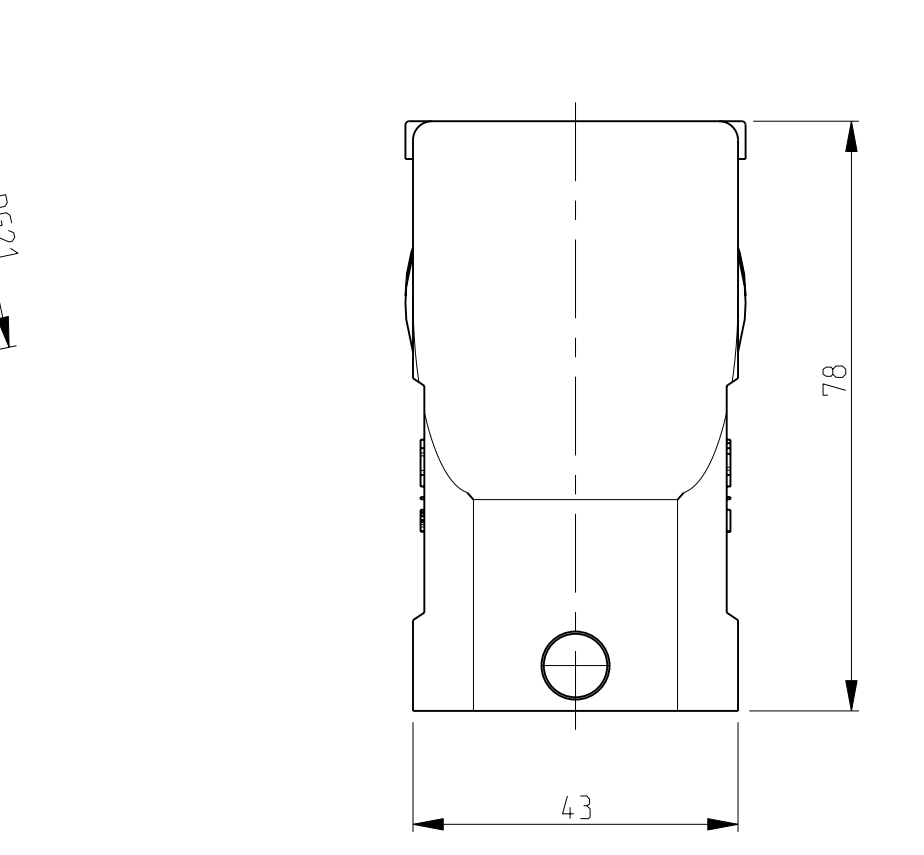
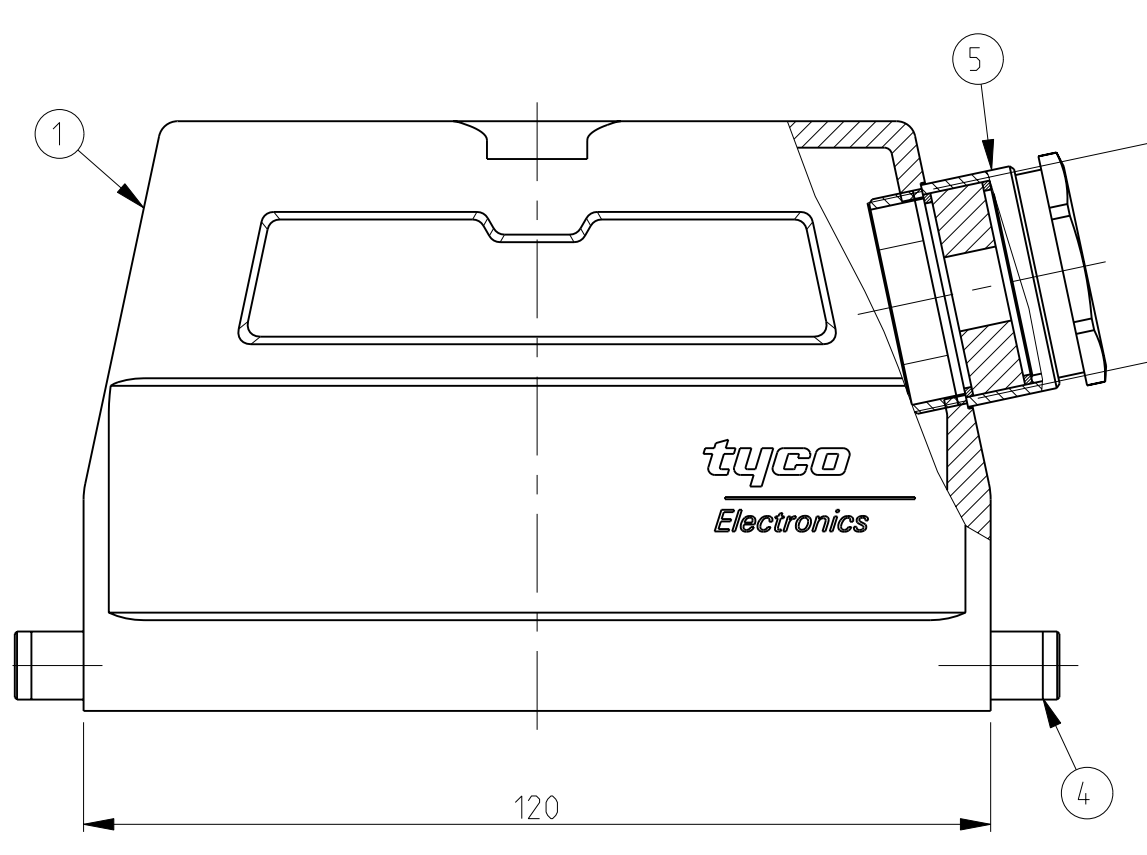
LOC	DIST	REVISIONS			
P	LTR	DESCRIPTION	DATE	DWN	APVD
A2		Released as per ECR-07-030424	17.12.07	SP	TS



PN 1-6

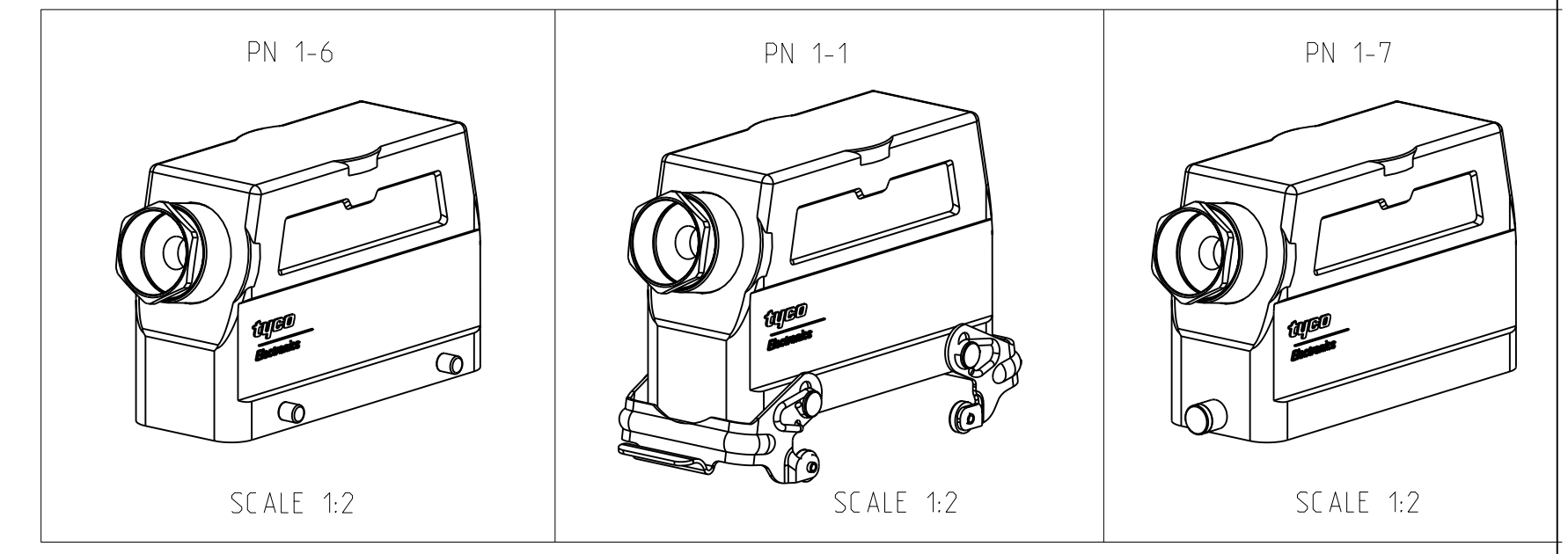


PN 1-1



PN 1-7

- NOTES.
- 1 Material:Housing:Aluminium Diecasting Alloy
 - 2 Surface:Powder varnish grey
 - 3 Varnish on the inside not necessary
 - 4 Packaging
Quantity 5 Pieces in a box



QTY	DESCRIPTION	MATERIAL	SURFACE	COLOR	ITEM NO	REMARKS
1	1 Cable connection round	Brass	Nickel plated	Blue	5	PG21
2	2 LB-Clip bolt	Steel	Zinc plated	Blue	4	
2	2 VS-Clip bolt	Steel	Zinc plated	Blue	3	
4	4 VS-Clip bolt	Steel	Zinc plated	Blue	2	
1	1 HD Hood	Aluminium	-	Grey	1	

DIMENSIONS: mm 		TOLERANCES UNLESS OTHERWISE SPECIFIED: IN MM UNLESS OTHERWISE SPECIFIED: 0 PLC ± 1 PLC ± 2 PLC ± 3 PLC ± 4 PLC ± ANGLES ± FINISH -		DWN Schneider 29.07.2003 CHK Schneider 29.07.2003 APVD Schweiher		Tyco Electronics Tyco Electronics AMP GmbH 0-53819-Neunkirchen,Germany	
MATERIAL -		PRODUCT SPEC 108-74001 108-74003 APPLICATION SPEC 114-74001 114-74004		NAME Hood HD.64.STS.1.21		RESTRICTED TO	
CUSTOMER DRAW ING		WEIGHT -		SIZE CAGE CODE DRAWING NO A 00779 C=1103334		SCALE 1:1 SHEET 1 OF 1 REV. A2	

Mouser Electronics

Authorized Distributor

Click to View Pricing, Inventory, Delivery & Lifecycle Information:

[TE Connectivity:](#)

[1-1103334-7](#)