

1-1103402-1 Product Details

[Share](#) [Print](#) [Email](#)



1-1103402-1

TE Internal Number: 1-1103402-1

Active

[View 3D PDF](#)

HTS Connectors and Accessories

Always EU RoHS/ELV Compliant (Statement of Compliance)

Product Highlights:

- HA.4 Series
- Insert
- Product Size = 1
- Contact Configuration = Screw Terminal
- Insert Style = Pin

[View all Features](#)

Quick Links

- ▶ [Pricing & Availability](#)
- ▶ [Search for Tooling](#)
- ▶ [Product Feature Selector](#)
- ▶ [Contact Us About This Product](#)

[Add to My Part List](#) [Request Sample](#) [Find Similar Products](#) [Buy Product](#)

Documentation & Additional Information

Product Drawings:

- [Male insert](#) (PDF, English)

Catalog Pages/Data Sheets:

- [HTS Heavy Duty Connectors catalogue](#) (PDF, English)

Product Specifications:

- None Available

Application Specifications:

- None Available

Instruction Sheets:

- None Available

CAD Files: [\(CAD Format & Compression Information\)](#)

- [2D Drawing](#) (DXF, Version C)
- [3D Model](#) (IGES, Version C)
- [3D Model](#) (STEP, Version C)

[List all Documents](#)

Additional Information:

- [Product Line Information](#)

Related Products:

- [Tooling](#)

Product Features (Please use the Product Drawing for all design activity)

Product Type Features:

- Product Type = Insert
- Product Size = 1
- Gender = Male

Electrical Characteristics:

- Power Circuit Voltage (V) = 250
- Power Circuit Current (A) = 10
- Pollution Degree = 3

Body Features:

- Insert Style = Pin

Contact Features:

- Contact Configuration = Screw Terminal
- Number of Poles = 4+PE
- Contact Plating, Mating Area, Material = Hard Silver

Industry Standards:

- [RoHS/ELV Compliance](#) = RoHS compliant, ELV compliant
- [Lead Free Solder Processes](#) = Not relevant for lead free process
- [RoHS/ELV Compliance History](#) = Always was RoHS compliant

Packaging Features:

- Packaging Method = Loose Piece
- Packaging Quantity = 10

Other:

- Series = HA.4
- Brand = HTS

Corporate Information

[About TE](#)
[Investors](#)
[News Room](#)
[Supplier Portal](#)
[Careers](#)
[Terms & Conditions](#)
[Privacy Policy](#)

Quick Links

[Distributor Inventory](#)
[Product Cross Reference](#)
[Documents & Drawings](#)
[Product Compliance Support Center](#)
[Site Map](#)

Customer Support

[Email or Chat With Us](#)
[Find a Phone Number](#)
[Knowledge Base](#)
[Manage Your Account](#)

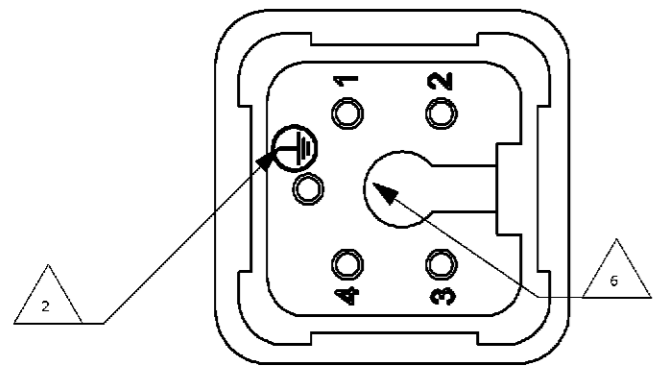
Keep Me Informed

LOC	DIST	REVISIONS ÄNDERUNGEN					
AI	-	P	LTR	DATE	DWN	APVD	
PROJECT NR.	C1	PRINTING CORRECTED ECR-06-021058			31.08.2006	SR	SM

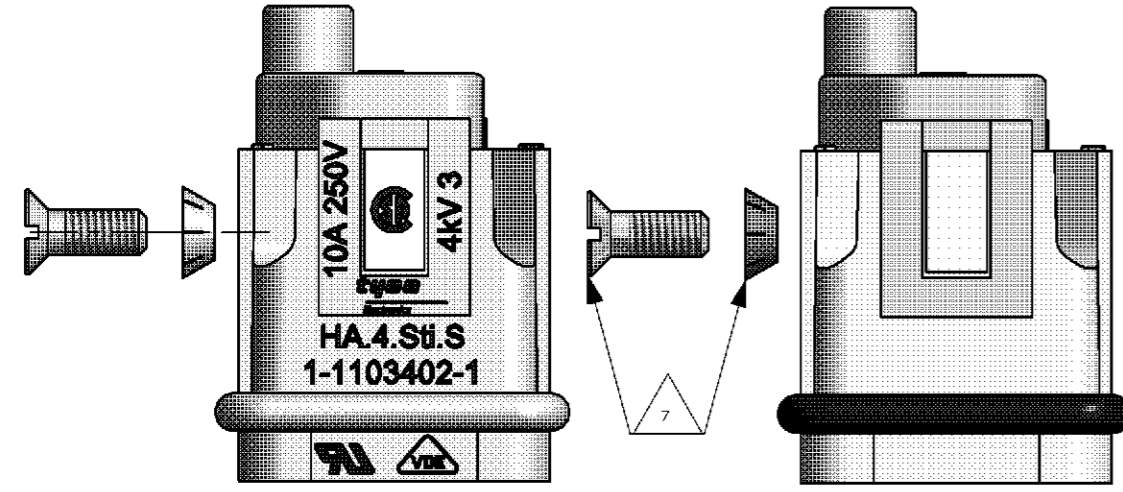
NOTES

- 1 CONTACT: 1 TO 4
SUITABLE SCREW CONTACTS: SERIES HA.3
OUTER DIMENSIONS OF INSULATION: MAX. Ø3,4 MM
- 2 GROUNDING CONTACT:
SUITABLE SCREW CONTACTS: SERIES HA.4
OUTER DIMENSIONS OF INSULATION: MAX. Ø3,4 MM
- 3 SUITABLE HOOD SIZE 1: SERIES HA; HD; EMV AND HIP
- 4 SUITABLE INSERTION AND EXTRACTION TOOL:
SCREWDRIVER 2,0x65
- 5 STANDARDS:
DIN EN 61984; DIN EN 60664-1
- 6 POLARIZATION RIPS
- 7 POS. 8 AND POS.9 PACKED SEPARATE IN POLY BAG
- 8 AUTHORIZATION: UL; CSA; VDE; SEV
- 9 PACKAGING:
10 SETS IN A CARTON, PRE-MOUNTED

CONTACT ARRANGEMENT
VIEW FROM CONECTING SIDE



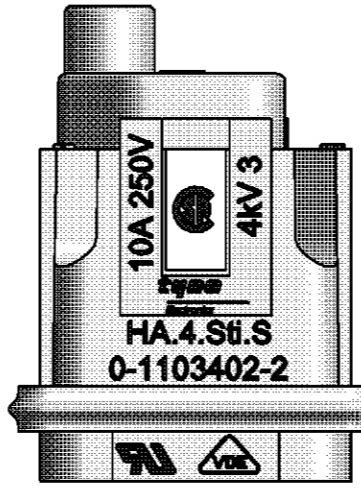
LATERAL PRINT
PN 1-1



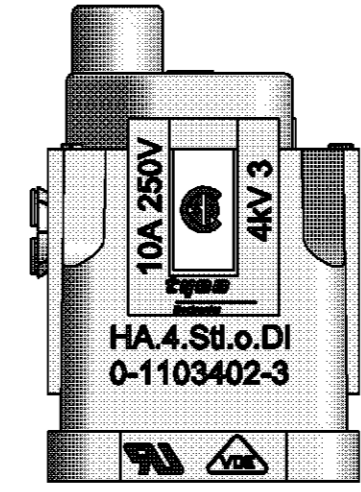
LATERAL PRINT
PN 0-1



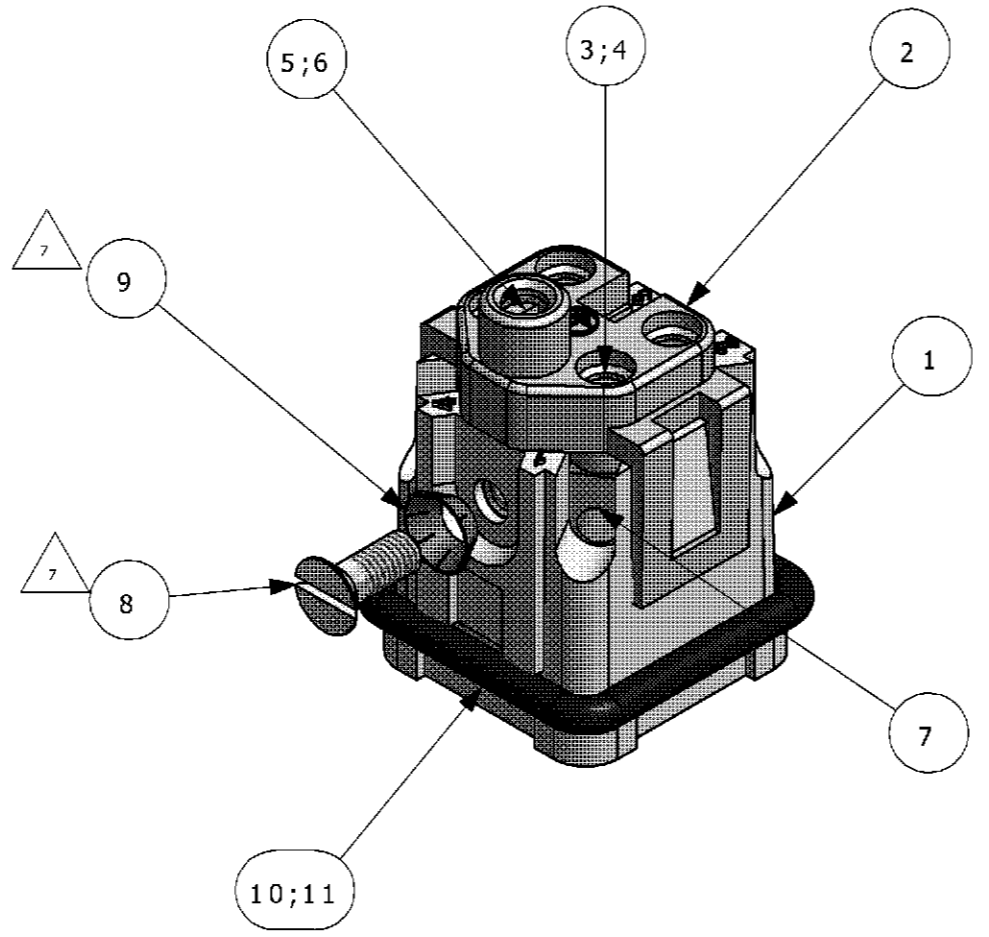
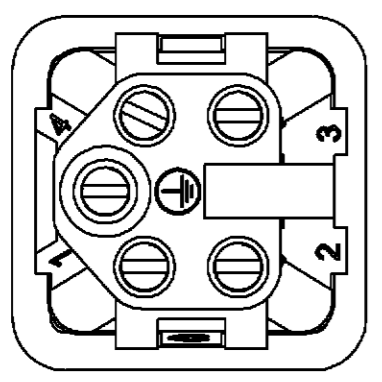
LATERAL PRINT
PN 0-2



LATERAL PRINT
PN 0-3



CONTACT ARRANGEMENT
VIEW FROM TERMINATION SIDE



QTY	DESCRIPTION	MATERIAL	SURFACE	COLOR	ITEM	NOTES			
1	PROFILE SEAL	NEOPRENE		BLACK	11	CONDUCTIV			
1	PROFILE SEAL	NEOPRENE		BLACK	10				
1	SPRING WASHER	STEEL	ZINK PLATED		9	V3.2			
1	SLOTTED COUNTER FLAT HEAD SCREW	STEEL	ZINK PLATED		8	M3x8			
5	SLOTTED CHEESE HEAD SCREW	BRASS	NICKEL PLATED		7	M3x5.5			
1	EARTING CONTACT PIN WITH ANGLE	BRASS	GOLD PLATED		6				
1	EARTING CONTACT SOCKET WITH ANGLE	BRASS	SILVER PLATED		5				
4	CONTACT SOCKET	BRASS	GOLD PLATED		4				
4	CONTACT SOCKET	BRASS	SILVER PLATED		3				
1	COVER	PC		BEIGE	2				
1	MALE INSERT	PC		BEIGE	1				
0-3	0-2	0-1	1-1	DESCRIPTION	MATERIAL	SURFACE	COLOR	ITEM	NOTES

HA.4.Sti.S
HA.4.Sti.S-AU
HA.4.Sti.S
HA.4.Sti.S.o.Di

THIS DRAWING IS A CONTROLLED DOCUMENT FOR AMP INCORPORATED. IT IS SUBJECT TO CHANGE AND THE CONTROLLING ENGINEERING ORGANIZATION SHOULD BE CONTACTED FOR THE LATEST REVISION. DIESSES ZEICHNUNGSDOKUMENT WIRD DURCH AMP INCORPORATED KONTROLLIERT. ÄNDERUNGEN, DIE DEM TECHNISCHEN FORTSCHRITT ÜBEREINSTIMMEN, SIND VORZUZIEHEN. DEN VERBUND MITZUTEILGEBEN, AN DERBESTMÖGLICHEN BEFRÄHRENDEN SIE AMP ANFANG.

DIMENSIONS:
DIMENSIONEN:
m/m

TOLERANCES UNLESS OTHERWISE SPECIFIED:
ALLGEMEIN TOLERANZEN

FINISH / OBERFLÄCHE / FARBE

WEIGHT / GEWICHT

DWN H.BRAUN 29.07.1997
CHK SCHWEIGER 29.07.1997
APVD T.SCHNURPFEL 27.03.2006

NAME
T.SCHNURPFEL
PRODUCT SPEC.
108-74008
APPLICATION SPEC.
114-74010

SCALE
A2
00779

DRAWING NO.
1103402

RESTRICTED TO NUR FÜR

CUSTOMER DRAWING / KUNDENZEICHNUNG

SCALE MASSSTAB 1:1

SHEET BLATT 1 OF VON 1

REV. C1