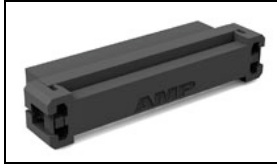


## 1-111623-9 Product Details



**1-111623-9**

TE Internal Number: 1-111623-9



### AMP-LATCH Ribbon Cable Connectors

 Always EU RoHS/ELV Compliant (Statement of Compliance)

#### Product Highlights:

- AMP-LATCH Product Line
- Wire-to-Board
- Applies To Wire/Cable
- Connector Assembly
- Connector Style = Receptacle

### Documentation & Additional Information

#### Product Drawings:

- [RECEPTACLE ASSY, POLARIZED, 2mm CL, AMP-LATCH](#) (PDF, English)

#### Catalog Pages/Data Sheets:

- [Ribbon Cable Interconnect Solutions](#) (PDF, English)

#### Product Specifications:

- [2 mm AMP-LATCH Ribbon Cable Receptacle Connector](#) (PDF, English)

#### Application Specifications:

- [AMP-LATCH 2 mm Receptacle Connectors](#) (PDF, English)

#### Instruction Sheets:

- [Connector-Specific Kit 768963-1 for AMP-LATCH 2 mm R...](#) (PDF, English)

#### CAD Files: (CAD Format & Compression Information)

- [2D Drawing](#) (DXF, Version L1)
- [3D Model](#) (IGES, Version L1)
- [3D Model](#) (STEP, Version L1)

#### Additional Information:

- [Product Line Information](#)

#### Related Products:

- [Tooling](#)
- [Mating Products \(6\)](#)

### Product Features (Please use the Product Drawing for all design activity)

#### Product Type Features:

- Product Line = AMP-LATCH
- Connector Type = Connector Assembly
- Series = 2.0 [.079] AMP-LATCH
- Termination Method to Wire/Cable = Insulation Displacement Crimp (IDC)
- UL File Number = E28476
- CSA File Number = LR 7189

#### Electrical Characteristics:

- Contact - Rated Current (A) = 0.5
- Operating Voltage Reference = AC
- Operating Voltage (VAC) = 125

#### Termination Features:

- Wire/Cable Size (AWG) = 28
- Wire/Cable Size (mm<sup>2</sup>) = 0.08
- Wire/Cable Size (CMA) = 158

#### Dimensions:

- Length (X-Axis) (mm [in]) = 19.18 [0.7551]
- Width (Z-Axis) (mm [in]) = 5.58 [0.2197]
- Profile Height (Y-Axis) (mm [in]) = 8.48 [0.3339]

#### Body Features:

- Row-to-Row Spacing (mm [in]) = 2.54 [0.100]
- Mating Retention = Without

#### Contact Features:

- Contact Design = Single Beam
- Contact Type = Socket
- Contact Base Material = Phosphor Bronze
- [Contact Plating, Mating Area, Material](#) = Gold or Palladium Nickel or Performance Based
- Contact Plating, Mating Area, Thickness (μm [μin]) = 0.76 [29.92]

#### Configuration Features:

- [Number of Positions](#) = 14
- [Number of Rows](#) = 2

#### Industry Standards:

- [RoHS/ELV Compliance](#) = RoHS compliant, ELV compliant
- [Lead Free Solder Processes](#) = Not relevant for lead free process
- RoHS/ELV Compliance History = Always was RoHS compliant
- Agency/Standard = UL, CSA
- UL Rating = Recognized
- UL Voltage Rating (VAC) = 125

#### Environmental:

- Operating Temperature (°C [°F]) = -65 - +105 [-85 - +221]

#### Conditions for Usage:

- [Applies To](#) = Wire/Cable
- Accepts Wire Insulation Diameter, Range (mm [in]) = 0.71 - 0.87 [0.028 - 0.034]

#### Operation/Application:

- Application Use = Wire-to-Board
- Contact Transmits (Typical Application) = Signal (Data)

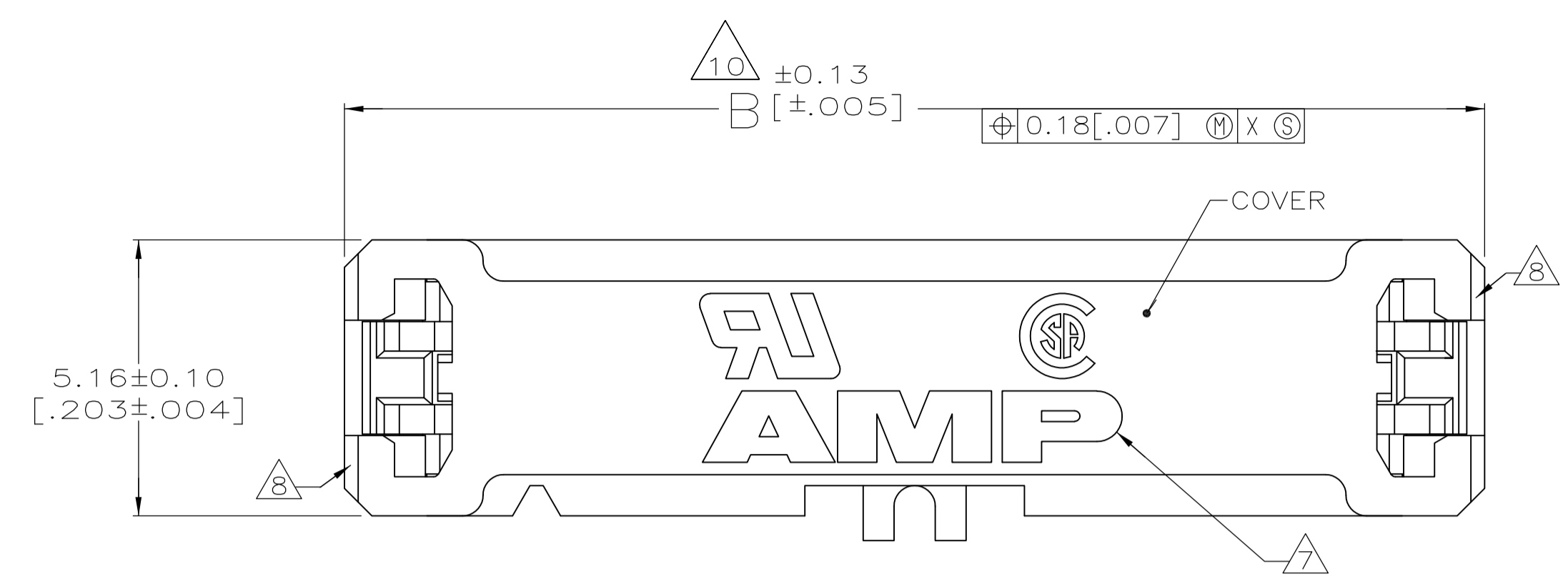
#### Packaging Features:

- Packaging Method = Tray

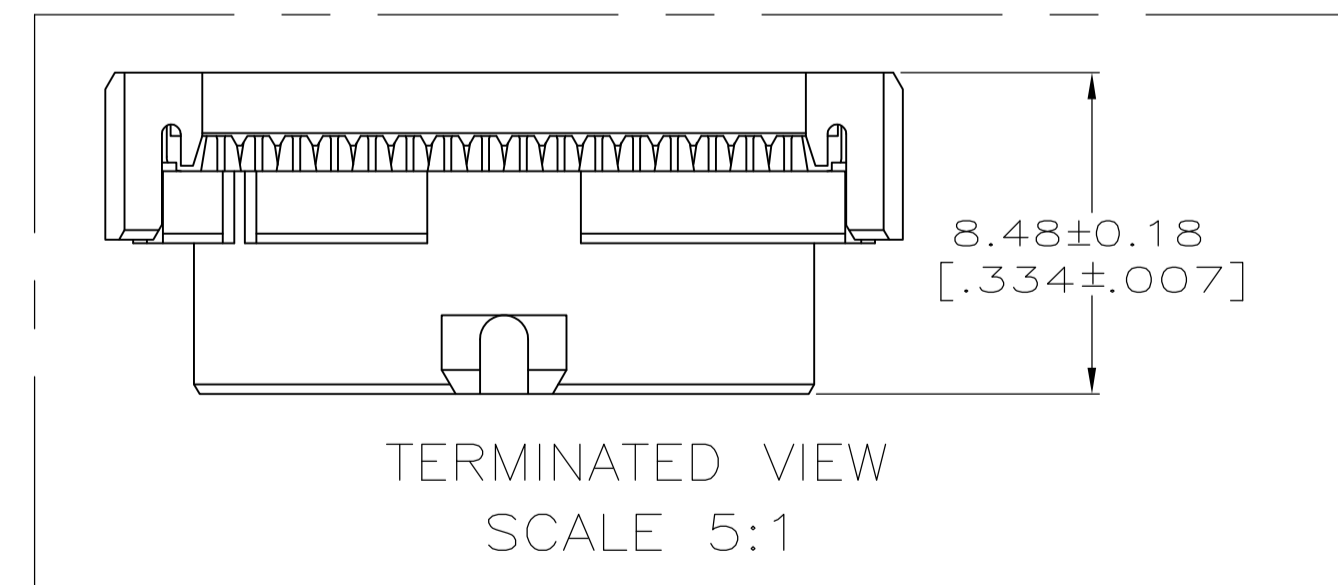
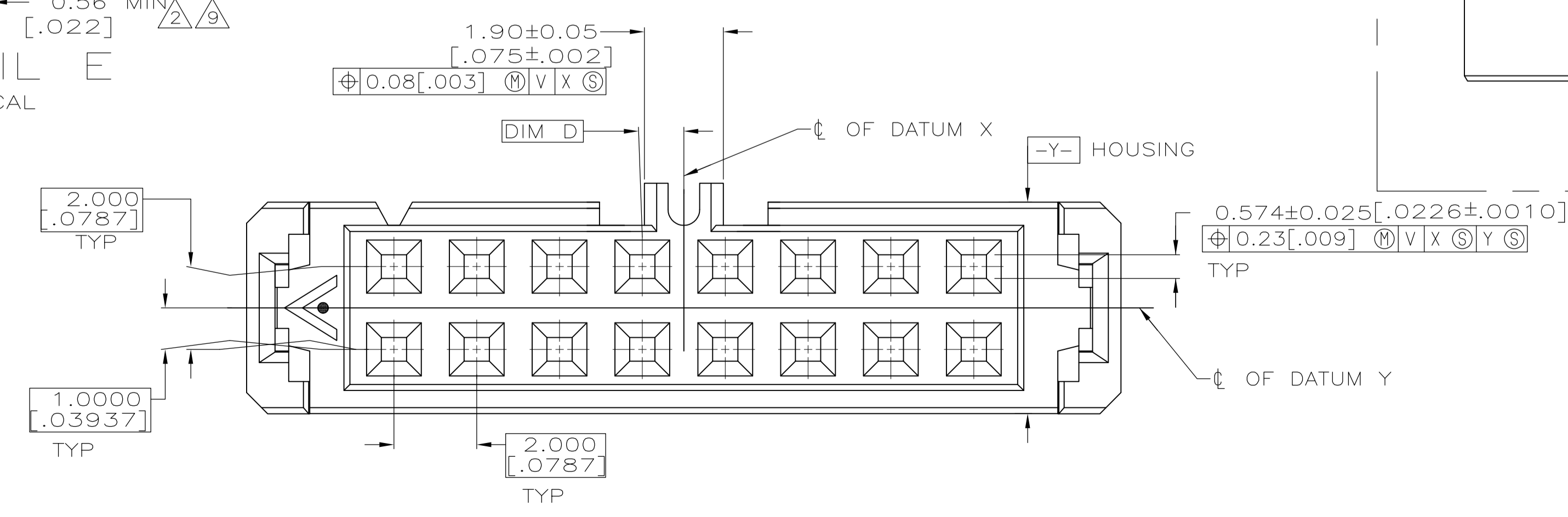
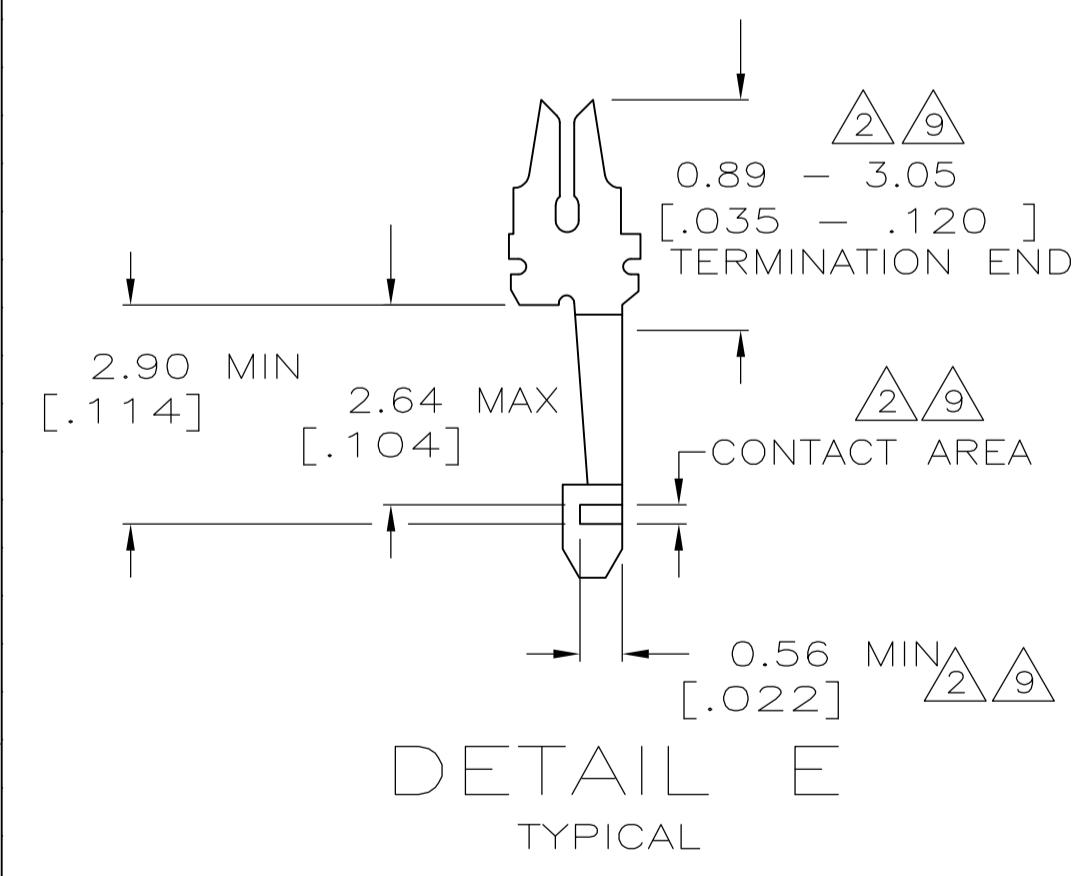
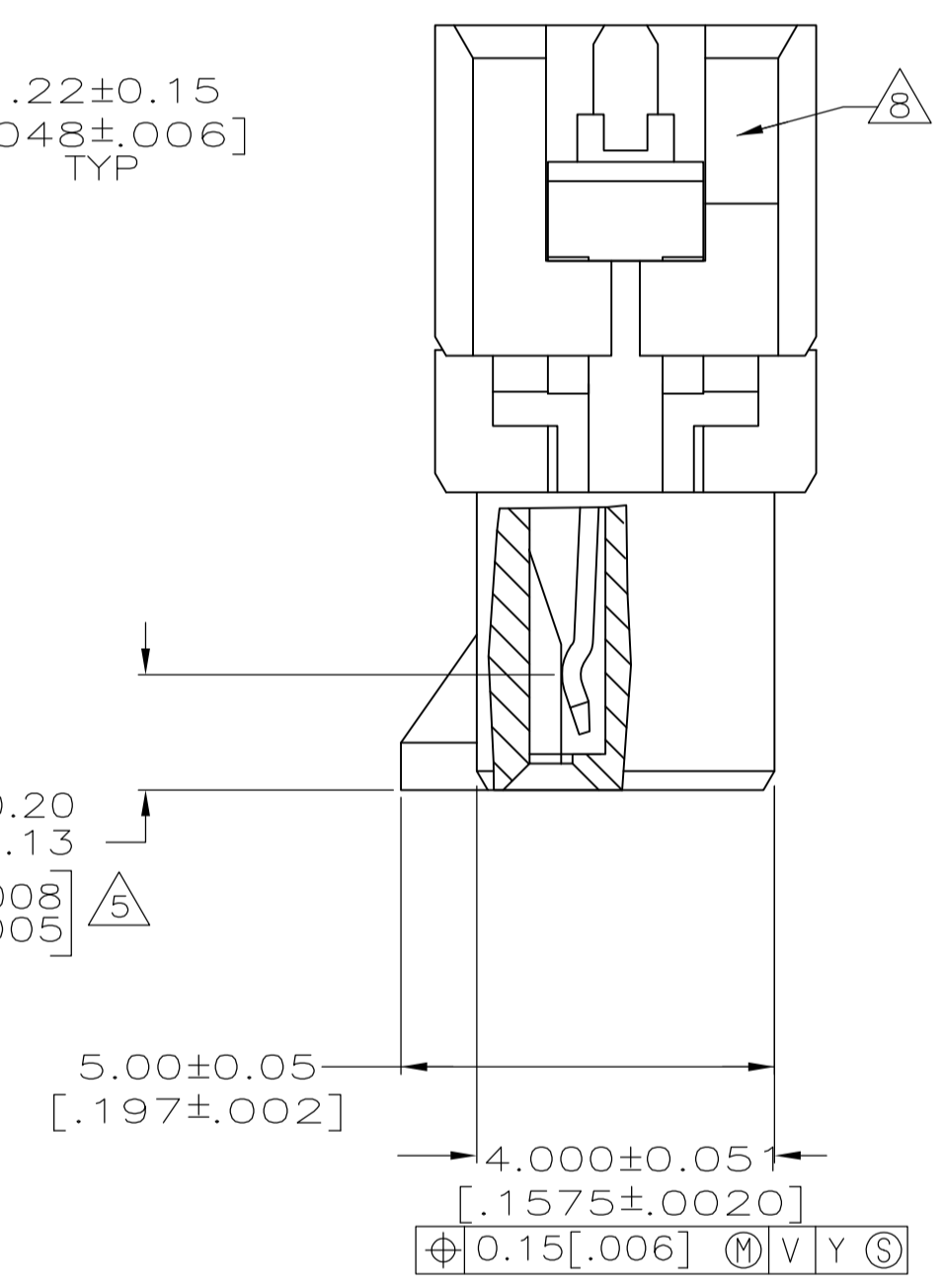
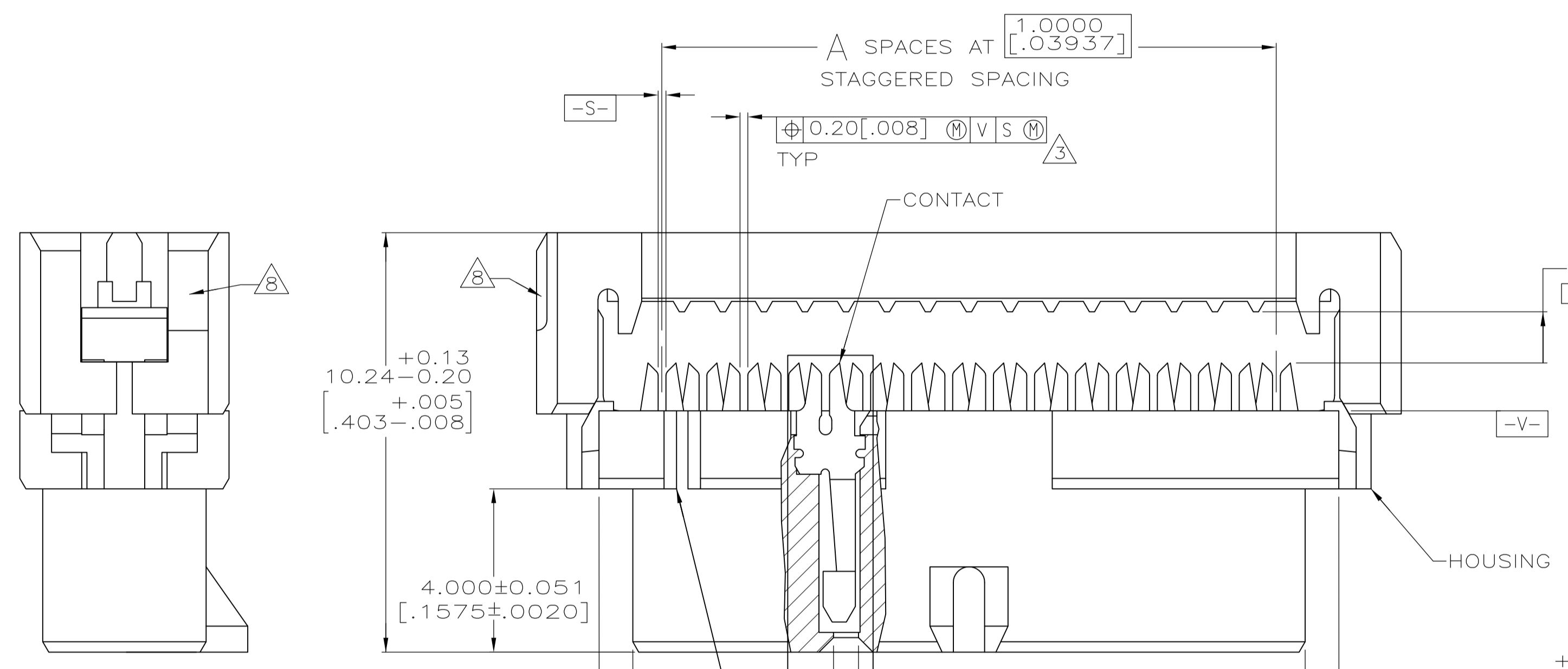
#### Other:

- Brand = AMP

REVISONS		DATE	BY	APVD
L2	REVISED PER ECO-11-005033	23MAR11	RK	HMR



- 1 MOLDED PARTS: POLYESTER, UL RATED 94V-0, BLACK. CONTACTS: BERYLLIUM COPPER.
- 2 2.54 μm [.000100] MIN TIN-LEAD ON TERMINATION END, 0.76 μm [.000030] MIN GOLD ON CONTACT AREA, ALL OVER 1.27 μm [.000050] MIN NICKEL.
- 3 POSITION TOLERANCE APPLIES 0.76 [.030] ABOVE DATUM V.
- 4 POSITION NUMBER 1 INDICATOR.
- 5 ELECTRICAL ENGAGEMENT ZONE.
- 6 RECOMMENDED 28 AWG RIBBON CABLE, 0.61 - 0.97 [.024 - .038] THICK PVC, 1.0000 [.03937] PITCH. AMP LOGO ORIENTATION IS OPTIONAL.
- 7 RECESS ON EACH END, OPPOSITE CORNER.
- 8 0.13 μm [.000005] MIN GOLD ON TERMINATION END, 0.76 μm [.000030] MIN GOLD ON CONTACT AREA, ALL OVER 1.27 μm [.000050] MIN NICKEL.
- 9 MOLD GATE PROJECTION ON EITHER END OF COVER TO BE EXCLUDED FROM DIMENSION 'B' MEASUREMENT.



CONTACT FINISH	D	C	B	A	NO OF POSN	PART NO
1.0000	12.40	17.15	11	12	3-111623-1	
.03937	[.488]	[.675]				
1.0000	8.41	13.18	7	8	3-111623-0	
.03937	[.331]	[.519]				
0.0000	22.40	27.18	21	22	2-111623-9	
.00000	[.882]	[1.070]				
0.0000	34.42	39.17	33	34	2-111623-8	
.00000	[1.355]	[1.542]				
1.0000	24.41	29.18	23	24	2-111623-7	
.03937	[.961]	[1.149]				
0.0000	50.39	55.17	49	50	2-111623-6	
.00000	[1.984]	[2.172]				
1.0000	44.40	49.17	43	44	2-111623-5	
.03937	[1.748]	[1.936]				
1.0000	40.41	45.19	39	40	2-111623-4	
.03937	[1.591]	[1.779]				
0.0000	30.40	35.18	29	30	2-111623-3	
.00000	[1.197]	[1.385]				
0.0000	26.42	31.17	25	26	2-111623-2	
.00000	[1.040]	[1.227]				
1.0000	20.40	25.17	19	20	2-111623-1	
.03937	[.803]	[.991]				
1.0000	16.41	21.18	15	16	2-111623-0	
.03937	[.646]	[.834]				
0.0000	14.40	19.18	13	14	1-111623-9	
.00000	[.567]	[.755]				
0.0000	10.41	15.16	9	10	1-111623-8	
.00000	[.410]	[.597]				
1.0000	12.40	17.15	11	12	1-111623-7	
.03937	[.488]	[.675]				
1.0000	8.41	13.18	7	8	1-111623-6	
.03937	[.331]	[.519]				
0.0000	22.40	27.18	21	22	1-111623-5	
.00000	[.882]	[1.070]				
1.0000	68.40	73.18	67	68	1-111623-4	
.03937	[2.693]	[2.881]				
1.0000	64.41	69.16	63	64	1-111623-3	
.03937	[2.536]	[2.723]				
1.0000	60.40	65.18	59	60	1-111623-2	
.03937	[2.378]	[2.566]				
0.0000	50.39	55.17	49	50	1-111623-1	
.00000	[1.984]	[2.172]				
1.0000	44.40	49.17	43	44	1-111623-0	
.03937	[1.748]	[1.936]				
1.0000	40.41	45.19	39	40	111623-9	
.03937	[1.591]	[1.779]				
0.0000	34.42	39.17	33	34	111623-8	
.00000	[1.355]	[1.542]				
0.0000	30.40	35.18	29	30	111623-7	
.00000	[1.197]	[1.385]				
0.0000	26.42	31.17	25	26	111623-6	
.00000	[1.040]	[1.227]				
1.0000	24.41	29.18	23	24	111623-5	
.03937	[.961]	[1.149]				
1.0000	20.40	25.17	19	20	111623-4	
.03937	[.803]	[.991]				
1.0000	16.41	21.18	15	16	111623-3	
.03937	[.646]	[.834]				
0.0000	14.40	19.18	13	14	111623-2	
.00000	[.567]	[.755]				
0.0000	10.41	15.16	9	10	111623-1	
.00000	[.410]	[.597]				

THIS DRAWING IS A CONTROLLED DOCUMENT. DIMENSIONS: mm [INCHES]. TOLERANCES UNLESS OTHERWISE SPECIFIED: 0 PLC ± .008 [0.03], 1 PLC ± .008 [0.03], 2 PLC ± .008 [0.03], 3 PLC ± .008 [0.03], 4 PLC ± .008 [0.03]. MATERIAL: POLYESTER. FINISH: CONTACTS: SEE TABLE.

DIN C. OBERMAN 02-21-92. CHK: J. McCLINTON 3-9-92. NAME: RECEPTACLE ASSY, POLARIZED, 2mm CL, AMP-LATCH. PRODUCT SPEC: 108-1372. APPLICATION SPEC: -. SIZE: A1. CAGE CODE: 00779. DRAWING NO: 111623. WEIGHT: -. RESTRICTED TO: -. CUSTOMER DRAWING. SCALE: 10:1. SHEET: 1 of 1. REV: L2.

**STE** TE Connectivity

**Housing Features:**

- Connector Style = Receptacle
- Centerline (mm [in]) = 2.00 [0.079]
- Mating Alignment = With
- Mating Alignment Type = Polarization
- Housing Color = Black
- UL Flammability Rating = UL 94V-0