



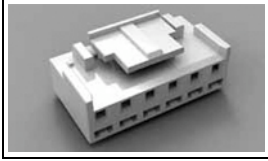
Have a Question?
Chat with a Product Information Specialist

What can we help you find?

[Products](#) [Industries](#) [Resources](#) [About TE](#) [My Account](#) [Innovation](#) [Support Center](#)

1-1123722-6 Product Details

[Share](#) [Print](#) [Email](#)



1-1123722-6

TE Internal Number: 1-1123722-6

Active

[View 3D PDF](#)

Economy Power Connectors

Always EU RoHS/ELV Compliant (Statement of Compliance)

Product Highlights:

- Economy Power Product Line
- Connector
- Wire-to-Board
- Applies To Wire/Cable
- 6 Positions

[View all Features](#)

Quick Links

- ▶ [Pricing & Availability](#)
- ▶ [Search for Tooling](#)
- ▶ [View Mating Products \(13\)](#)
- ▶ [View Contacts \(2\)](#)
- ▶ [View Housings \(2\)](#)
- ▶ [Product Feature Selector](#)
- ▶ [Contact Us About This Product](#)

[Add to My Part List](#) [Request Sample](#) [Find Similar Products](#) [Buy Product](#)

Documentation & Additional Information

Product Drawings:

- [3.96mm PITCH ECONOMY POWER \(EP\) CONN. PLUG HSG \(PDF, English\)](#)

Catalog Pages/Data Sheets:

- [7-1773458-5_ECONOMY_POWER_QRG \(PDF, English\)](#)

Product Specifications:

- [Economy Power \(EP\) Connector \(PDF, Japanese\)](#)

Application Specifications:

- None Available

Instruction Sheets:

- [Economy Power \(EP\) Connector \(PDF, Japanese\)](#)

CAD Files: (CAD Format & Compression Information)

- [2D Drawing \(DXF, Version C\)](#)
- [3D Model \(IGES, Version C\)](#)
- [3D Model \(STEP, Version C\)](#)

[List all Documents](#)

Related Products:

- [Tooling](#)
- [Mating Products \(13\)](#)
- [Contacts \(2\)](#)
- [Housings \(2\)](#)

Product Features (Please use the Product Drawing for all design activity)

Product Type Features:

- Product Line = Economy Power
- Product Type = Connector
- Connector Type = Housing
- Sealed = No

Mechanical Attachment:

- Mating Retention Type = Latching

Electrical Characteristics:

- Contact - Rated Current (A) = 7.5
- Operating Voltage Reference = AC
- Operating Voltage (VAC) = 250

Termination Features:

- Wire/Cable Size (AWG) = 18 - 22
- Wire/Cable Size (mm²) = 0.34 - 0.75
- Termination Method to Wire/Cable = Crimp

Dimensions:

- Length (X-Axis) (mm [in]) = 23.70 [0.9331]
- Width (Z-Axis) (mm [in]) = 13.30 [0.524]
- Profile Height (Y-Axis) (mm [in]) = 10.50 [0.413]

Body Features:

- Mating Retention = With

Contact Features:

- Contact Type = Socket

Housing Features:

- Centerline (mm [in]) = 3.96 [0.156]
- Connector Style = Receptacle
- Housing Color = Natural
- Housing Material = Nylon - GF

Configuration Features:

- Number of Positions = 6
- Number of Rows = 1

Industry Standards:

- [RoHS/ELV Compliance](#) = RoHS compliant, ELV compliant
- [Lead Free Solder Processes](#) = Not relevant for lead free process
- RoHS/ELV Compliance History = Always was RoHS compliant
- UL Flammability Rating = UL 94V-0

Environmental:

- Operating Temperature (°C [°F]) = -25 - +105 [-13 - +221]

Conditions for Usage:

- Applies To = Wire/Cable
- Glow Wire Rating = Standard Part - Not Glow Wire
- Accepts Wire Insulation Diameter, Range (mm [in]) = 1.70 - 3.00 [0.067 - 0.118]

Operation/Application:

- Application Use = Wire-to-Board
- Contact Transmits (Typical Application) = Power

Other:

- Brand = AMP

Corporate Information

- [About TE](#)
- [Investors](#)
- [News Room](#)
- [Supplier Portal](#)
- [Careers](#)
- [Terms & Conditions](#)
- [Privacy Policy](#)
- [AODA Accessibility Policy](#)
- [AODA Multi-Year Accessibility Plan](#)

Quick Links

- [Distributor Inventory](#)
- [Product Cross Reference](#)
- [Documents & Drawings](#)
- [Product Compliance Support Center](#)
- [Site Map](#)

Customer Support

- [Email or Chat With Us](#)
- [Find a Phone Number](#)
- [Knowledge Base](#)
- [Manage Your Account](#)

Keep Me Informed



4

3

2

1

THIS DRAWING IS UNPUBLISHED.

RELEASED FOR PUBLICATION

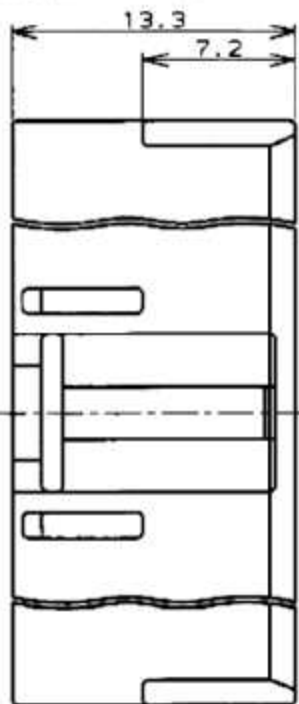
© COPYRIGHT

注記:

- 1. 適用コンタクト : 0-1123721-1
- 2. 嵌合相手製品型番 : □-1123723-□
□-1123724-□

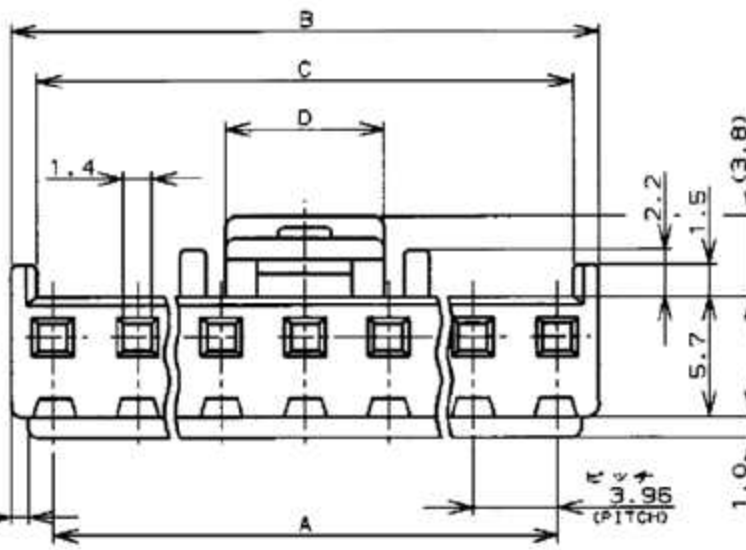
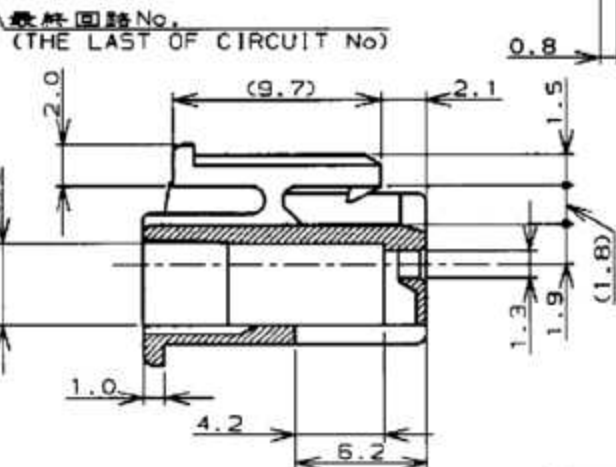
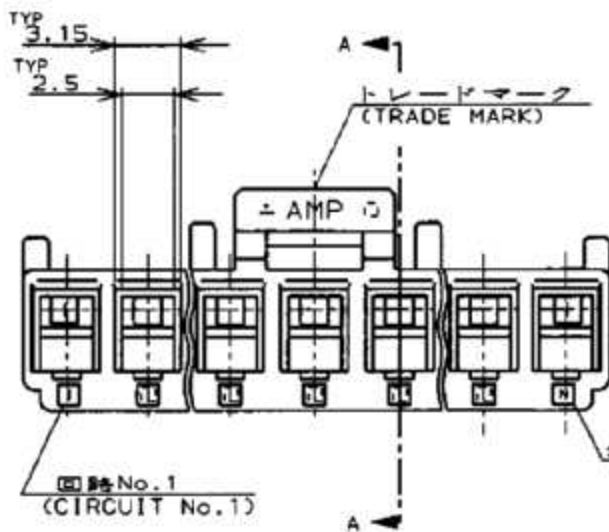
NOTES:

- 1. APPLICABLE CONTACT P/N : 0-1123721-1
- 2. MATING CONN P/N: □-1123723-□
□-1123724-□
- 3. 7-1123722-□ MEET GWT(GLOW WIRE TEST)
750 DEGREE SPEC



	41.10	43.50	39.60	■ 自然色 (NATURAL)	7-1123722-1	
				■ 緑 (GREEN)	6- - -1	
				■ 黒 (BLACK)	5- - -1	
				■ 赤 (RED)	4- - -1	
				■ 青 (BLUE)	3- - -1	
				■ 黄 (YELLOW)	2- - -1	
				■ 自然色 (NATURAL)	1- - -1	
7.50				■ 自然色 (NATURAL)	7- - -0	
				■ 緑 (GREEN)	6- - -0	
				■ 黒 (BLACK)	5- - -0	
				■ 赤 (RED)	4- - -0	
				■ 青 (BLUE)	3- - -0	
				■ 黄 (YELLOW)	2- - -0	
				■ 自然色 (NATURAL)	1- - -0	
	33.18	35.58	31.68	■ 自然色 (NATURAL)	9 7- - -9	
D	C	B	A	ハウジング色調 (HOUSING COLOR)	極数 (POS)	型番 (P/N)
寸法 (DIMENSION)						

	33.18	35.58	31.68	■ 緑 (GREEN)	6- - -9	
				■ 黒 (BLACK)	5- - -9	
				■ 赤 (RED)	4- - -9	
				■ 青 (BLUE)	3- - -9	
				■ 黄 (YELLOW)	2- - -9	
				■ 自然色 (NATURAL)	1- - -9	
				■ 自然色 (NATURAL)	7- - -8	
				■ 緑 (GREEN)	6- - -8	
				■ 黒 (BLACK)	5- - -8	
				■ 赤 (RED)	4- - -8	
				■ 青 (BLUE)	3- - -8	
				■ 黄 (YELLOW)	2- - -8	
				■ 自然色 (NATURAL)	1- - -8	
29.22	31.62	27.72		■ 自然色 (NATURAL)	7- - -7	
				■ 緑 (GREEN)	6- - -7	
				■ 黒 (BLACK)	5- - -7	
				■ 赤 (RED)	4- - -7	
				■ 青 (BLUE)	3- - -7	
				■ 黄 (YELLOW)	2- - -7	
				■ 自然色 (NATURAL)	1- - -7	
				■ 自然色 (NATURAL)	7- - -6	
				■ 緑 (GREEN)	6- - -6	
				■ 黒 (BLACK)	5- - -6	
				■ 赤 (RED)	4- - -6	
				■ 青 (BLUE)	3- - -6	
				■ 黄 (YELLOW)	2- - -6	
				■ 自然色 (NATURAL)	1- - -6	
				■ 自然色 (NATURAL)	7- - -5	
				■ 緑 (GREEN)	6- - -5	
				■ 黒 (BLACK)	5- - -5	
				■ 赤 (RED)	4- - -5	
				■ 青 (BLUE)	3- - -5	
				■ 黄 (YELLOW)	2- - -5	
				■ 自然色 (NATURAL)	1- - -5	
				■ 自然色 (NATURAL)	7- - -4	
				■ 緑 (GREEN)	6- - -4	
				■ 黒 (BLACK)	5- - -4	
				■ 赤 (RED)	4- - -4	
				■ 青 (BLUE)	3- - -4	
				■ 黄 (YELLOW)	2- - -4	
				■ 自然色 (NATURAL)	1- - -4	
				■ 自然色 (NATURAL)	7- - -3	
				■ 緑 (GREEN)	6- - -3	
				■ 黒 (BLACK)	5- - -3	
				■ 赤 (RED)	4- - -3	
				■ 青 (BLUE)	3- - -3	
				■ 黄 (YELLOW)	2- - -3	
				■ 自然色 (NATURAL)	1- - -3	
				■ 自然色 (NATURAL)	7- - -2	
				■ 緑 (GREEN)	6- - -2	
				■ 黒 (BLACK)	5- - -2	
				■ 赤 (RED)	4- - -2	
				■ 青 (BLUE)	3- - -2	
				■ 黄 (YELLOW)	2- - -2	
				■ 自然色 (NATURAL)	1-1123722-2	
	3.60	5.46	7.86	3.96		
D	C	B	A	ハウジング色調 (HOUSING COLOR)	極数 (POS)	型番 (P/N)
寸法 (DIMENSION)						



REV	DATE	BY	CHK	DESCRIPTION
D1	14JUN12	A.Z	F.M	REVISED PER ECR-12-010630
D	11APR12	L.L	F.M	REVISED PER ECR-12-006506
C1	21MAR11	RK	HMR	REVISED PER ECO-11-005030

DIMENSIONS: 単位: mm		TOLERANCES UNLESS OTHERWISE SPECIFIED			
				PRODUCT SPEC 108-5609 APPLICATION SPEC 3.96mm PITCH ECONOMY POWER (EP) CONN. PLUG HSG 3.96mm ピッチエコノミーパワー (EP) コネクタ プラグハウジング	
MATERIAL 66ナイロン UL94V-0 (66NYLON UL94V-0)		FINISH 仕上		WEIGHT CUSTOMER DRAWING	
REVISIONS 変更		24 JUN '98 N. YAMASAKI 24 JUN '98 M. SHINDO 24 JUN '98 M. SHINDO		SIZE: A3 CAGE CODE: 00779 DRAWING NO: 1123722 RESTRICTED TO:	
LOC: DIST: P: LTR:		SCALE: 1:1 SHEET: 1 OF 1 REV: D1		参考図面	